



PUIaudio



Data Sheet

AS03208AS-HT

The **AS03208AS-HT** is designed for applications that require robust low-frequency response and low THD in compact designs.

Features:

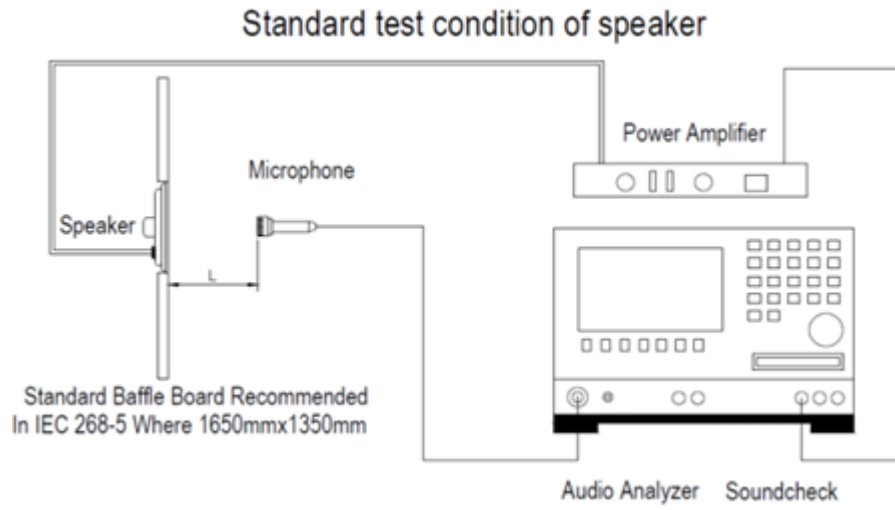
- 85dB SPL: $P_{DRIVE} = 3W$, distance = 0.5m
- 3W continuous dissipation
- 230Hz free-air resonance
- IPX5 rating
- 32.7mm x 31.7mm x 16.45mm dimensions

Specifications

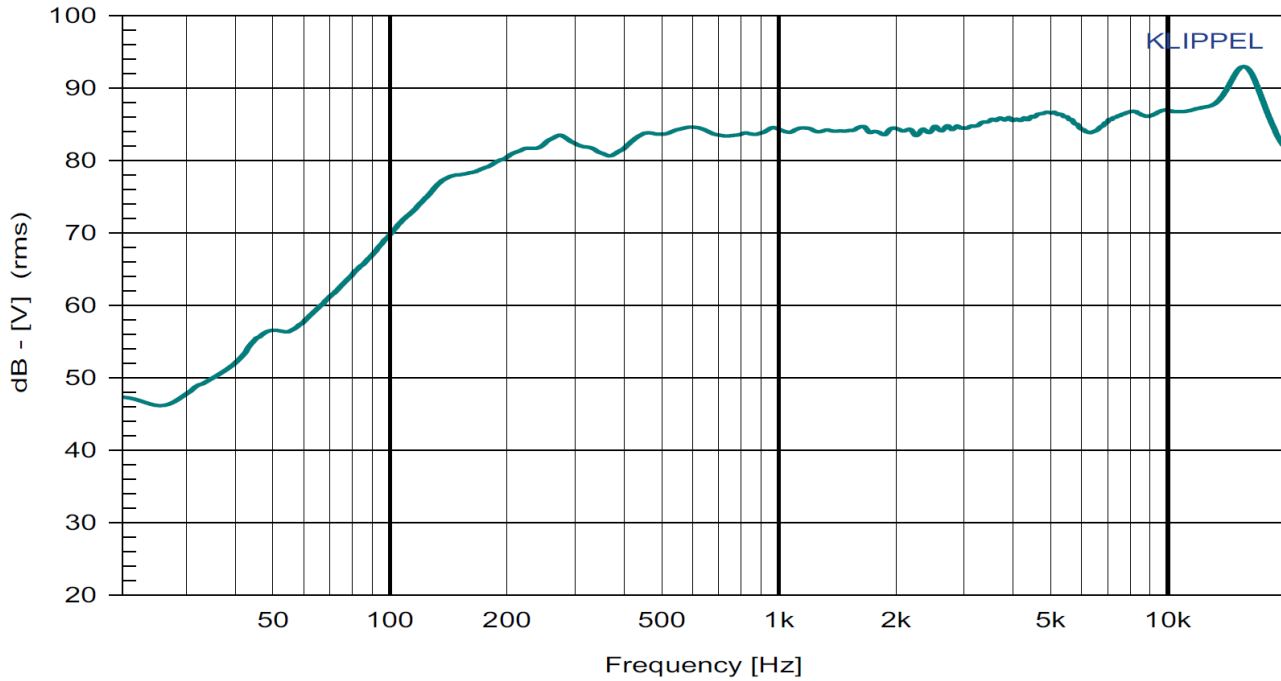
(Specifications measured with following conditions: ambient temperature; $15^{\circ}C \leq T_A \leq 35^{\circ}C$, relative humidity; $25\% \leq RH_A \leq 75\%$, according to standard GB/T9396-1996, unless otherwise stated. Judgement Condition: ambient temperature; $20 \pm 2^{\circ}C$; relative humidity; $63\% \leq RH_A \leq 67\%$. Product shelf life valid for 12 months.

Parameters	Values	Units
Rated Input Power	3.0	Watts
Maximum Input Power	4.0	Watts
Impedance	$8 \pm 15\%$	Ohms
Sensitivity (SPL) $P_{DRIVE} = 1.0W$, distance = 0.5m f = ave. 0.6kHz, 0.8kHz, 1.0kHz, 1.2kHz	85 ± 3	dB
Resonant Frequency (f_0)	$230 \pm 20\%$	Hz
Frequency Range (-10 dB)	$150 \leq f \leq 20,000$	Hz
Total Harmonic Distortion f = 1 kHz, $P_{DRIVE} = 1.0W$	≤ 5	%
Frame Material	PBT+15%GF	-
Magnet Material	NdFeB	-
Diaphragm Material	Aluminum	-
Weight	16.6	gm
Buzz, Rattle, etc.	Not audible with $P_{DRIVE} = 3.0W$, sine wave	-
Polarity	Applying positive dc current to "+" terminal moves diaphragm forward	-
Ingress Rating	IPX5	-
Operating Temperature Range	$-25 \leq T_O \leq 50$	$^{\circ}C$
Storage Temperature Range	$-40 \leq T_A \leq 85$	$^{\circ}C$
Environmental Compliance	RoHS/REACH	-

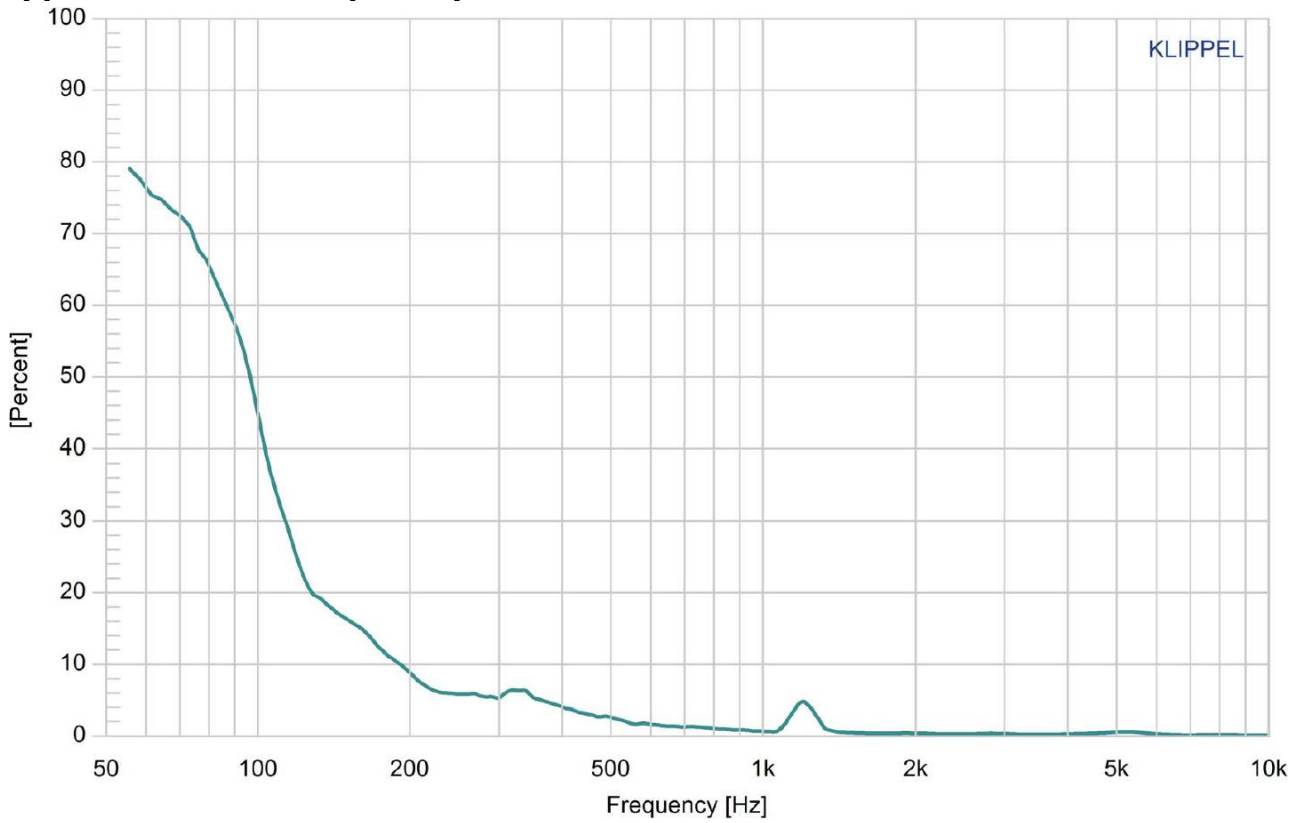
Measurement Method (measured with $P_{DRIVE} = 1.0$, distance = 0.5m)



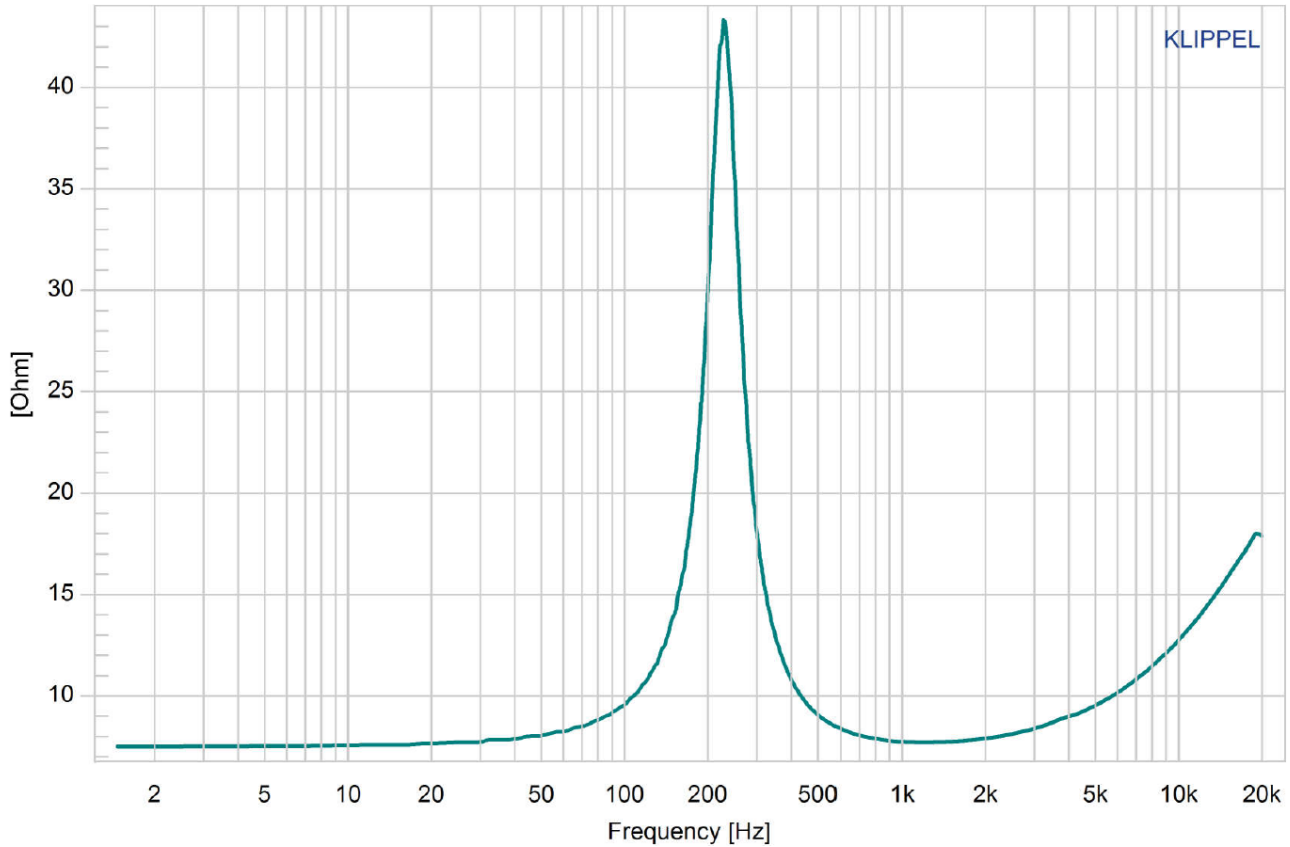
Typical Frequency Response ($P_{DRIVE} = 1W$, distance = 0.5m)



Typical THD vs. Frequency ($P_{DRIVE} = 1.0W$)

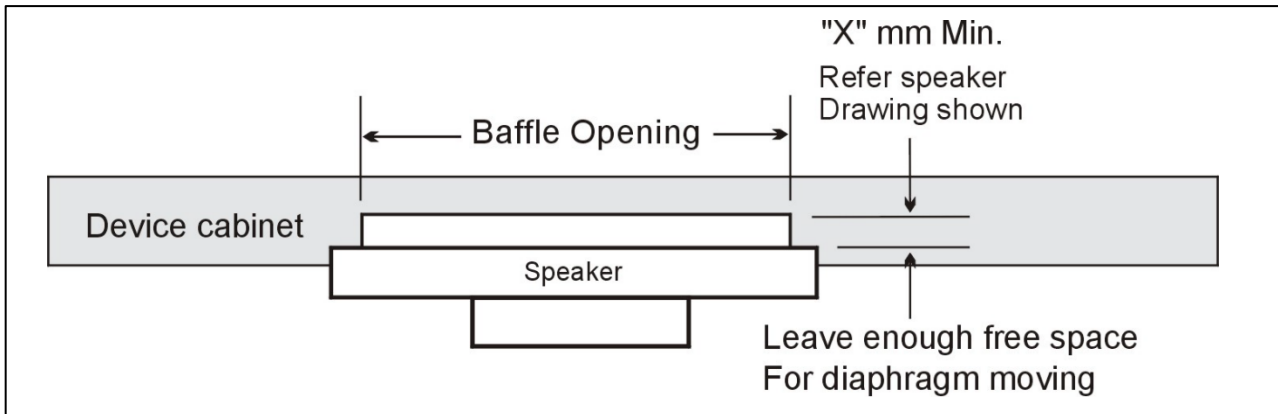


Impedance Response



Mounting Precautions

To ensure normal operation of the speaker, allow enough free space for diaphragm



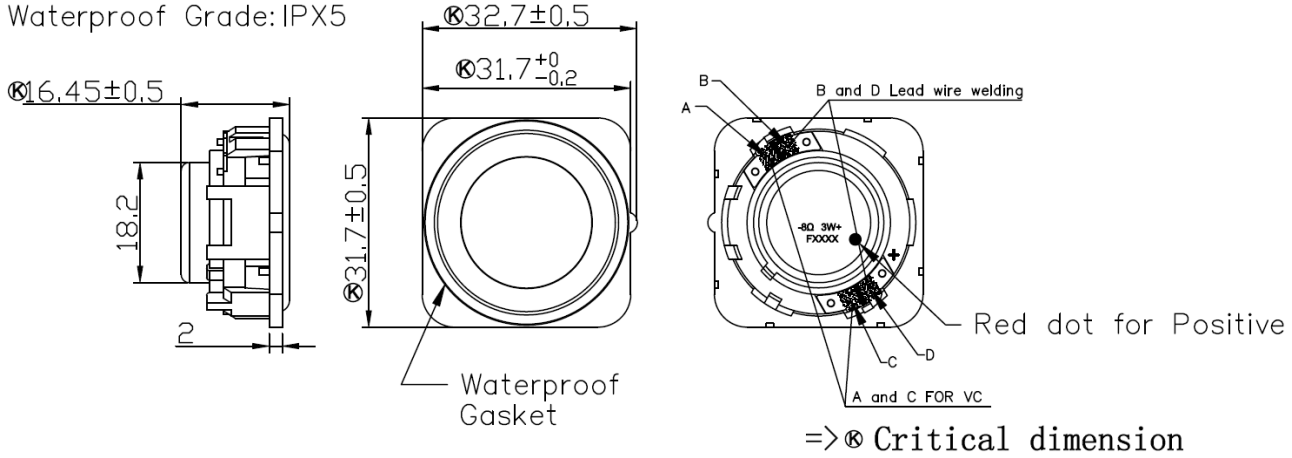
movement. The minimum distance required, "X," is the dimensioned drawing below is 2.0mm.

Reliability Testing

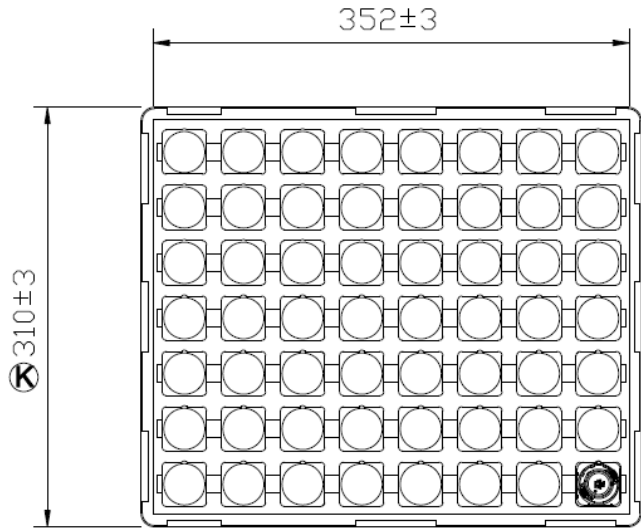
Type of Test	Test Specifications	Judgement
High Temperature Test GB2423.2-81	96 hours at +60°C ± 2°C followed by one hour in normal room temperature	SPL shall not deviate by ±3dB. Resonant frequency shall not deviate by ±50Hz. (compared with pre-test measurement)
Low Temperature Test GB2423.1-81	96 hours at -25°C ± 2°C followed by one hour in normal room temperature	
Humidity Test GB5170.18-87	96 hours at +40°C ± 2°C with relative humidity between 90% and 95% followed by 6 hours in normal room temperature	
Temperature Cycle Testing GB5170.18-87	<p>The graph shows a temperature cycle starting at Room Temperature +25°C. It ramps up to +60°C in 10 seconds, holds for 1 hour, ramps down to -25°C in 10 seconds, holds for 1 hour, and then ramps back to Room Temperature +25°C. This cycle is repeated 4 times.</p>	SPL shall not deviate by ±4dB. Resonant frequency shall not deviate by ±80Hz. (compared with pre-test measurement)
Vibration Test GB11606.8-89	Frequency 30±15 Hz, Amplitude 1.5 mm for 3 Hours	SPL shall not deviate by ±3dB. (compared with pre-test measurement)
Drop Test GB2423.8-81	75 cm free falling on concrete floor, 10 times.	
Load Test GB/T12060.5-2011	Speaker should not fail after applying 20Hz ~ 20kHz pink noise with HPF rated power input (RMS), 96 hours.	

Dimensions (All dimensions in mm; tolerance is +0.2mm, unless otherwise stated.)

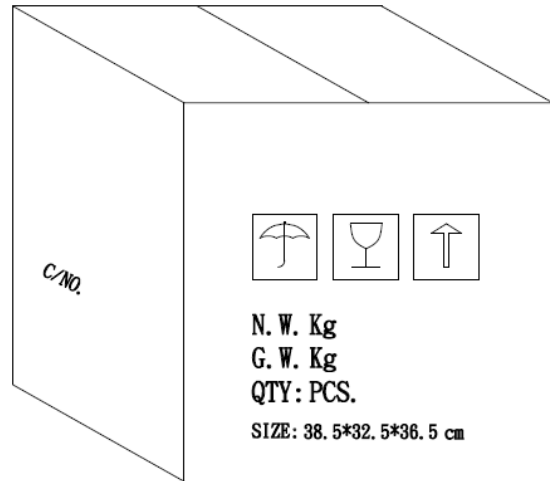
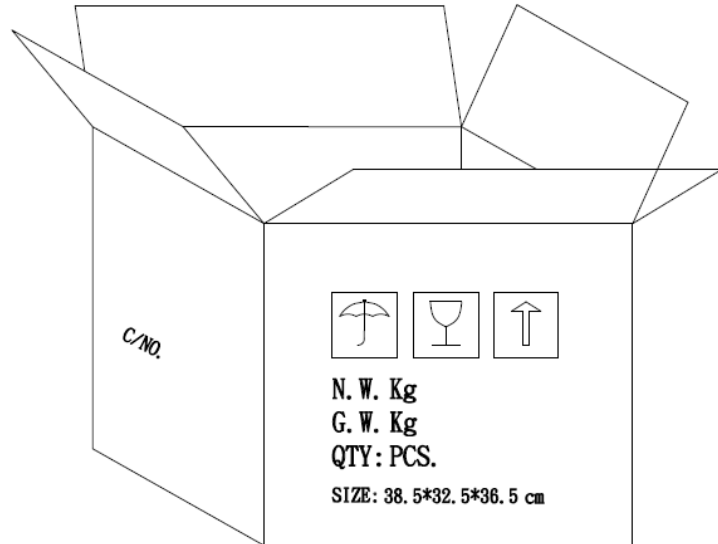
Waterproof Grade: IPX5



Packaging



NOTE
 56 PCS per Layer
 Total 10 Layer per box
 Total 560 PCS per box
 38.5*32.5*36.5 cm
 HF+ROHS 2



Measurement & Standard Reference

Abstract from GB/T 9396-1996 and IEC 268-5:1989: methods of measurement for main characteristics of loudspeakers.

5.1 Rated sine voltage.

A sinusoidal signal voltage specified by the manufacturer which makes the speaker work continuously in the rated frequency range, without causing electrical or mechanical damage to the speaker. The continuous voltage time is 1 hour.

5.2 Rated sine power.

The rated sine power corresponding with the rated sine voltage defined by: U_s^2/R , where U_s indicates the rated sin voltage and R indicates the rated impedance of the speaker.

5.3 Rated noise power.

The rated sine power corresponding with the rated sine voltage defined by: U_n^2/R , where U_n indicates the rated sin voltage and R indicates the rated impedance of the speaker.

Specifications Revisions

Revision	Description	Date	Approved
A	Datasheet released from Engineering	03/25/2024	KH

Note:

- Unless otherwise specified:
 - All dimensions are in millimeters.
 - Default tolerances are $\pm 0.5\text{mm}$ and angles are $\pm 3^\circ$, unless otherwise specified.
- Specifications subject to change or withdrawal without notice.

Mouser Electronics

Authorized Distributor

Click to View Pricing, Inventory, Delivery & Lifecycle Information:

[PUI Audio:](#)

[AS03208AS-HT](#)