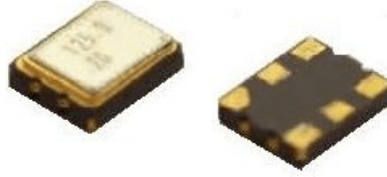




LV44F / LV44G Series 2.5 V LVDS Clock Oscillators

April 2017



- Pletronics' LV44F and LV44G Series is a quartz crystal controlled precision square wave generator with a fast rise and fall time LVDS output.
- The package is designed for high density surface mount designs.
- Tape and Reel or cut tape packaging is available.
- 3.2 x 2.5 mm LCC Ceramic Package
- Enable/Disable Function on pad 1
- Disable function includes low standby power mode
- LV44F use Fundamental Mode Crystals
13.5MHz to 110MHz
- LV44G use 3rd Overtone Crystals
35MHz to 170MHz
- Low Jitter

**Pletronics Inc. certifies this device is in accordance with the
RoHS 6/6 (2011/65/EC) and WEEE (2002/96/EC) directives.**

Pletronics Inc. guarantees the device does not contain the following:
Cadmium, Hexavalent Chromium, Lead, Mercury, PBB's, PBDE's
Weight of the Device: 0.16 grams
Moisture Sensitivity Level: 1 As defined in J-STD-020D.1
Second Level Interconnect code: e4

Absolute Maximum Ratings:

Parameter	Unit
V _{CC} Supply Voltage	-0.5V to +5.0V
V _i Input Voltage	-0.5V to V _{CC} + 0.5V
V _o Output Voltage	-0.5V to V _{CC} + 0.5V
Junction Temperature (T _j)	-55°C to +150°C

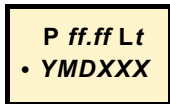
Thermal Characteristics

The maximum die or junction temperature is 150°C
The thermal resistance junction to board is 30 to 50°C/Watt depending on the solder pads, ground plane and construction of the PCB.

Part Number:

LV44	45	G	E	W	-125.0M	-XX	
							Packaging code or blank T250 = 250 per Tape and Reel T500 = 500 per Tape and Reel T1K = 1000 per Tape and Reel
							Frequency in MHz
							Supply Voltage V_{CC} W = 2.5V \pm 10%
							Optional Enhanced OTR Blank = Temp. range -10 to +70°C C = Temp. range -20 to +70°C E = Temp. range -40 to +85°C
							Series Model F = Fundamental mode crystal G = 3 rd Overtone mode crystal
							Frequency Stability 45 = \pm 50 ppm 44 = \pm 25 ppm 20 = \pm 20 ppm
							Series Model

Marking Legend:



- PLE = Pletronics
- ff.fff M = Frequency in MHz
- L = LVDS
- t = Mode of operation 'F' or 'G'
- YMD = Date of Manufacture (year and week, or year-month-day)
- All other marking is internal factory codes

Specifications such as frequency stability, supply voltage and operating temperature range, etc. are not identified from the marking. External packaging labels and packing list will correctly identify the ordered Pletronics part number.

Codes for Date Code YMD

Code	4	5	6	7	8	Code	A	B	C	D	E	F	G	H	J	K	L	M
Year	2014	2015	2016	2017	2018	Month	JAN	FEB	MAR	APR	MAY	JUN	JUL	AUG	SEP	OCT	NOV	DEC

Code	1	2	3	4	5	6	7	8	9	A	B	C	D	E	F	G
Day	1	2	3	4	5	6	7	8	9	10	11	12	13	14	15	16
Code	H	J	K	L	M	N	P	R	T	U	V	W	X	Y	Z	
Day	17	18	19	20	21	22	23	24	25	26	27	28	29	30	31	

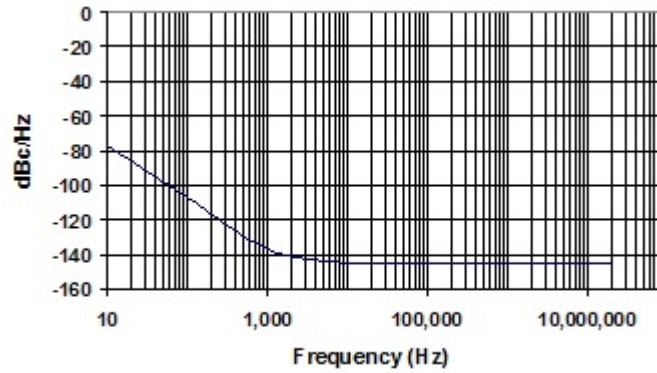
Electrical Specification for 2.50V $\pm 10\%$ over the specified temperature range

Item	Min	Typ	Max	Unit	Condition	
Frequency Range	13.5	-	110	MHz	For "F" series devices	
	35	-	170	MHz	For "G" series devices	
Frequency Accuracy "45"	-50	-	+50	ppm	For all supply voltages, load changes, aging for 1 year, shock, vibration and temperatures	
"44"	-25	-	+25			
"20"	-20	-	+20			
Supply Voltage Sensitivity	-2	-	2	ppm	For V_{CC} change of $\pm 10\%$	
Output Waveform	LVDS					
Output High Level (V_{OH})	-	1.43	1.60	V	See load circuit	
Output Low Level (V_{OL})	0.90	1.10	-	V	See load circuit	
Output Offset Voltage	1.125	-	1.375	V		
Output Symmetry	45	-	55	%	output crossing point	See load circuit
Output Swing	250	350	450	mV	See load circuit	
Jitter*	-	-	0.6	ps RMS	12 KHz to 20 MHz from the output frequency	
	-	-	2.8	ps RMS	10 Hz to 1 MHz from the output frequency	
Output T_{RISE} and T_{FALL}	-	150	400	ps	V_{th} is 20% and 80% of waveform	
V_{CC} Supply Current (I_{CC})	-	12 16	20 27	mA	< 80MHz \geq 80MHz	"F" series devices
	-	12 16	20 27	mA	< 90MHz \geq 90 MHz to 125MHz	"G" series devices
	-	20 24	34 40		\geq 125MHz to 160MHz	
	-				\geq 160MHz	
Disable current	-	-10	-	μ A	Pad 1 = 0.0 volts	
V disable	-	-	0.6	V	Referenced to pad 3	
V enable	1.9	-	-	V	Referenced to pad 3	
Output leakage $V_{OUT} = V_{CC}$	-10	-	+10	μ A	Pad 1 low, device disabled	
	$V_{OUT} = 0V$	-10	+10	μ A		
Enable time	-	-	2	ms		
Disable time	-	-	200	ns	Time for output to reach a high Z state	
Start up time	-	-	2	ms	Time for output to reach specified frequency	
Operating Temperature	-10	-	+70	$^{\circ}$ C	Standard Temperature Range	
	-20	-	+70	$^{\circ}$ C	Extended Temperature Range "C" Option	
	-40	-	+85	$^{\circ}$ C	Extended Temperature Range "E" Option	
Storage Temperature	-55	-	+125	$^{\circ}$ C		
Standby Current I_{CC}	-	-	10	μ A	Pad 1 low, device disabled	

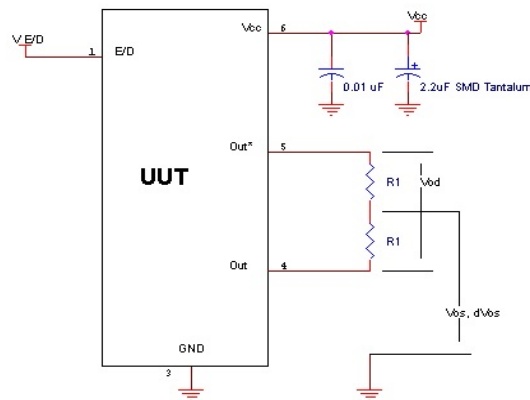
* Measured at 125.0 MHz

Specifications with Pad 1 E/D open circuit unless stated otherwise

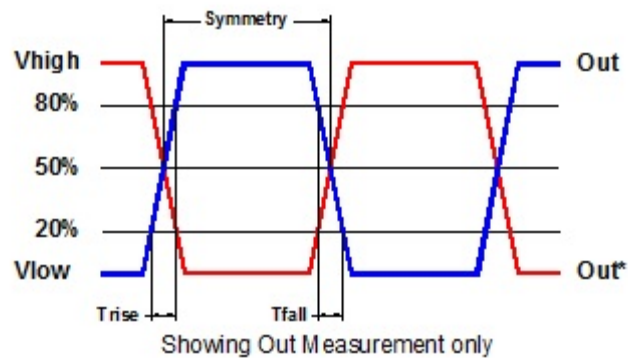
Typical Phase-Noise Response



Load Circuit



Test Waveform



Reliability: Environmental Compliance

Parameter	Condition
Mechanical Shock	MIL-STD-883 Method 2002, Condition B
Vibration	MIL-STD-883 Method 2007, Condition A
Solderability	MIL-STD-883 Method 2003
Thermal Shock	MIL-STD-883 Method 1011, Condition A





ESD Rating

Model	Minimum Voltage	Conditions
Human Body Model	1500	MIL-STD-883 Method 3115
Charged Device Model	1000	JESD 22-C101


Package Labeling

Label is 1" x 2.6" (25.4mm x 66.7mm)
Font is Courier New
Bar code is 39-Full ASCII

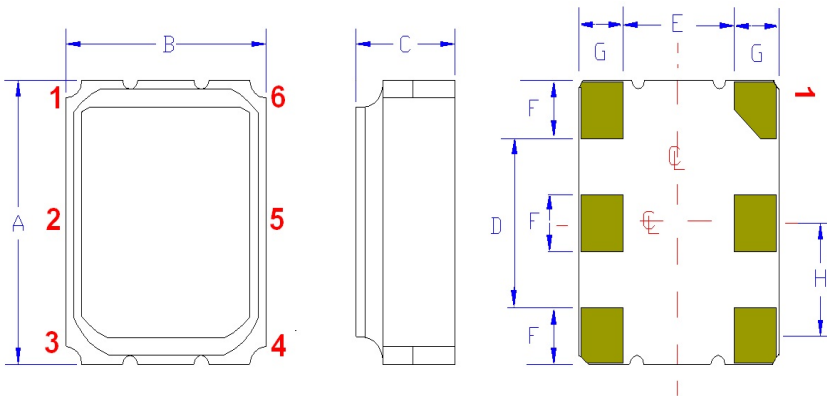
Label is 1" x 2.6" (25.4mm x 66.7mm)
Font is Arial

P/N:  LV4445FEW-75.0M	
Customer P/N:  12345678	
Qty:  1000	D/C  0JX-MTG
MSL: 1	

RoHS Compliant 2nd LvL Interconnect Category=e4 Max Safe Temp=260C for 10s 2X Max

P/N:  LV4445GEW-125.0M	
Customer P/N:  12345678	
Qty:  1000	D/C  0JX-MTG
MSL: 1	

Mechanical:



	Inches	mm
A	0.125 \pm 0.004	3.20 \pm 0.10
B	0.098 \pm 0.004	2.50 \pm 0.10
C	0.040 max	1.00 max
D ¹	0.063	1.60
E ¹	0.051	1.30
F ¹	0.031	0.80
G ¹	0.024	0.60
H ¹	0.047	1.20

¹ Typical dimensions

Contacts:

Gold 11.8 to 39.4 μ mches (0.3 to 1.0 μ m)
over
Nickel 50 to 350 μ mches (1.27 to 8.89 μ m)

Not to Scale

Pad	Function	Note
1	Output Enable/Disable	When this pad is not connected the oscillator shall operate. When this pad is < 'V disable', the output will be inhibited (high impedance state.) Recommend connecting this pad to V _{CC} if the oscillator is to be always on.
2	No connect	There is no internal connection to this pad
3	Ground (GND)	
4	Output	The outputs must be terminated, 100 ohms between the outputs is the ideal termination.
5	Output*	
6	Supply Voltage (V _{CC})	Recommend connecting appropriate power supply bypass capacitors as close as possible.



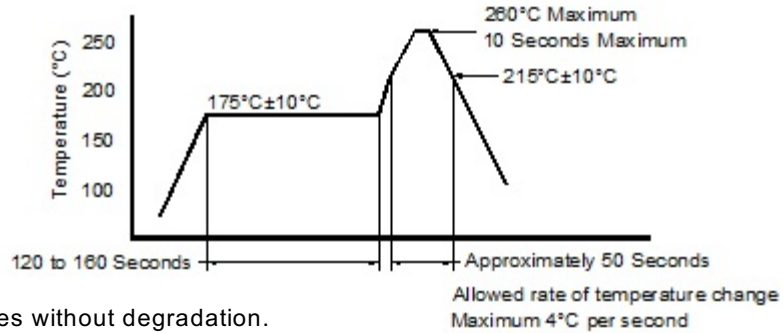
Layout and application information

Recommend connecting Pad 1 and Pad 2 together to permit the design to accept Enable/Disable input on either pad

For Optimum Jitter Performance, Pletronics recommends:

- a ground plane under the device
- no large transient signals (both current and voltage) should be routed under the device
- do not layout near a large magnetic field such as a high frequency switching power supply
- do not place near piezoelectric buzzers or mechanical fans.

Reflow Cycle (typical for lead free processing)



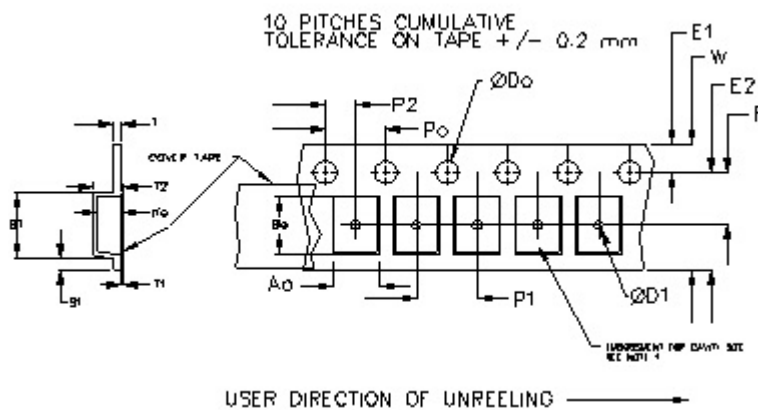
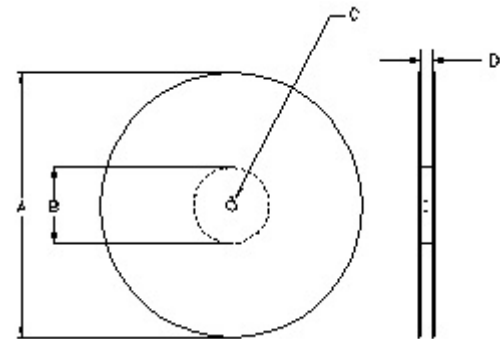
The part may be reflowed 3 times without degradation.

Tape and Reel: available for quantities of 250 to 1000 per reel, cut tape for < 250

Constant Dimensions Table 1								
Tape Size	D0	D1 Min	E1	P0	P2	S1 Min	T Max	T1 Max
8mm	1.5	1.0	1.75	4.0	2.0 ±0.05	0.6	0.6	0.1
12mm		1.5			2.0 ±0.1			
16mm		+0.1 -0.0			1.5			
24mm		1.5			1.5			

Variable Dimensions Table 2							
Tape Size	B1 Max	E2 Min	F	P1	T2 Max	W Max	Ao, Bo & Ko
16 mm	12.1	14.25	7.5 ± 0.1	8.0 ± 0.1	8.0	16.3	Note 1

Note 1: Embossed cavity to conform to EIA-481-B Dimensions in mm Not to scale



		REEL DIMENSIONS			
A	inches	7.0	10.0	13.0	Tape Width
	mm	177.8	254.0	330.2	
B	inches	2.50	4.00	3.75	Tape Width
	mm	63.5	101.6	95.3	
C	mm	13.0 +0.5 / -0.2			Tape Width
D	mm	16.4 +2.0 -0.0	16.4 +2.0 -0.0	16.4 +2.0 -0.0	

Reel dimensions may vary from the above

IMPORTANT NOTICE

Pletronics Incorporated (PLE) reserves the right to make corrections, improvements, modifications and other changes to this product at anytime. PLE reserves the right to discontinue any product or service without notice. Customers are responsible for obtaining the latest relevant information before placing orders and should verify that such information is current and complete. All products are sold subject to PLE's terms and conditions of sale supplied at the time of order acknowledgment.

PLE warrants performance of this product to the specifications applicable at the time of sale in accordance with PLE's limited warranty. Testing and other quality control techniques are used to the extent PLE deems necessary to support this warranty. Except where mandated by specific contractual documents, testing of all parameters of each product is not necessarily performed.

PLE assumes no liability for application assistance or customer product design. Customers are responsible for their products and applications using PLE components. To minimize the risks associated with the customer products and applications, customers should provide adequate design and operating safeguards.

PLE products are not designed, intended, authorized or warranted to be suitable for use in life support applications, devices or systems or other critical applications that may involve potential risks of death, personal injury or severe property or environmental damage. Inclusion of PLE products in such applications is understood to be fully at the risk of the customer. Use of PLE products in such applications requires the written approval of an appropriate PLE officer. Questions concerning potential risk applications should be directed to PLE.

PLE does not warrant or represent that any license, either express or implied, is granted under any PLE patent right, copyright, artwork or other intellectual property right relating to any combination, machine or process which PLE product or services are used. Information published by PLE regarding third-party products or services does not constitute a license from PLE to use such products or services or a warranty or endorsement thereof. Use of such information may require a license from a third party under the patents or other intellectual property of the third party, or a license from PLE under the patents or other intellectual property of PLE.

Reproduction of information in PLE data sheets or web site is permissible only if the reproduction is without alteration and is accompanied by associated warranties, conditions, limitations and notices. Reproduction of this information with alteration is an unfair and deceptive business practice. PLE is not responsible or liable for such altered documents.

Resale of PLE products or services with statements different from or beyond the parameters stated by PLE for that product or service voids all express and implied warranties for the associated PLE product or service and is an unfair or deceptive business practice. PLE is not responsible for any such statements.

Contacting Pletronics Inc.

Pletronics Inc.
19013 36th Ave. West
Lynnwood, WA 98036-5761 USA

Tel: 425-776-1880
Fax: 425-776-2760
E-mail: ple-sales@pletronics.com
URL: www.pletronics.com

Copyright © 2010, 2011 Pletronics Inc.

Mouser Electronics

Authorized Distributor

Click to View Pricing, Inventory, Delivery & Lifecycle Information:

[Pletronics:](#)

[LV4445GEW-125.0M](#)