

Sensor/actuator box - SACB-4/4-L-10,0PUR AR SCO - 1561894


Please be informed that the data shown in this PDF Document is generated from our Online Catalog. Please find the complete data in the user's documentation. Our General Terms of Use for Downloads are valid (<http://phoenixcontact.com/download>)



Sensor/actuator box, connection method: M12-SPEEDCON-socket Metal, number of slots: 4, number of positions: 4, status display: yes; master cable connection: Fixed connection, PUR/PVC, cable length: 10 m, shielding: no



Key Commercial Data

Packing unit	1 pc
Minimum order quantity	50 pc
GTIN	 4 046356 288842
GTIN	4046356288842

Technical data

Ambient conditions

Degree of protection	IP65
	IP67
	IP69K

General

Rated voltage	24 V DC
Number of positions	4

Material

Contact material	Cu alloy
Contact surface material	gold-plated

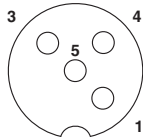
Environmental Product Compliance

China RoHS	Environmentally Friendly Use Period = 50
	For details about hazardous substances go to tab "Downloads", Category "Manufacturer's declaration"

Drawings

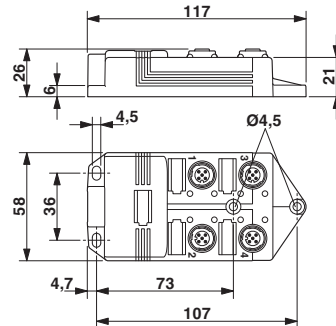
Sensor/actuator box - SACB-4/4-L-10,0PUR AR SCO - 1561894

Schematic diagram



Pin assignment M12, socket 4-pos.

Dimensional drawing



Phoenix Contact 2018 © - all rights reserved
<http://www.phoenixcontact.com>

PHOENIX CONTACT GmbH & Co. KG
Flachsmarktstr. 8
32825 Blomberg
Germany
Tel. +49 5235 300
Fax +49 5235 3 41200
<http://www.phoenixcontact.com>

Mouser Electronics

Authorized Distributor

Click to View Pricing, Inventory, Delivery & Lifecycle Information:

[Phoenix Contact:](#)

[1561894](#)