

Connector - QPD P 4X2,5 9-14 GY GY - 1419431

Please be informed that the data shown in this PDF Document is generated from our Online Catalog. Please find the complete data in the user's documentation. Our General Terms of Use for Downloads are valid (<http://phoenixcontact.com/download>)



Connector, QUICKON connection, number of positions: 4, 1 mm² ... 2.5 mm², 690 V, 20 A, gray, with QUICKON nut, cable diameter range: 9 mm ... 14 mm

The figure shows the black standard version



Key Commercial Data

Packing unit	1 pc
Minimum order quantity	250 pc
GTIN	
GTIN	4055626173108

Technical data

General

Type	QPD 4x2,5
Color	gray
Locking type	Screw locking
Connection method	QUICKON connection IDC connection
Number of positions	4
Wrench size, union nut	22 mm
Tightening torque, union nut	5 Nm
Number of connections	4
Conductor cross section flexible min.	1 mm ²
Conductor cross section flexible max.	2.5 mm ²
Conductor cross section solid min.	1 mm ²
Conductor cross section solid max.	2.5 mm ²
Conductor cross section AWG min.	16
Conductor cross section AWG max.	14

Connector - QPD P 4X2,5 9-14 GY GY - 1419431

Technical data

Cabel

Structure of individual litz in acc. with VDE 0295 / smallest wire diameter	VDE 0295 class 1 to 6/min. 0.15 mm
Wire insulation material	PVC / PE
Wire diameter including insulation	2 mm ... 3.8 mm
External cable diameter	9 mm ... 14 mm
Position marking	1, 2, 3, 4

Ambient conditions

Degree of protection	IP66
	IP68 (2 m / 24 h)
Ambient temperature (operation)	-40 °C ... 100 °C
Ambient temperature (storage/transport)	-40 °C ... 80 °C
Temperature when conductor connected	-5 °C ... 50 °C

Electrical characteristics

Nominal current I_N	20 A
Rated current	20 A
Rated voltage (III/3)	690 V
Rated voltage (III/2)	1000 V
Rated voltage (II/2)	1000 V
Rated surge voltage (III/3)	6 kV
Rated surge voltage (III/2)	8 kV
Rated surge voltage (II/2)	8 kV

Mechanical characteristics

QUICKON connectability	max. 10
Insertion/withdrawal cycles	50
Category of shock impact	IK07

Material data

Contact material	CuZn
Contact surface material	Tin-plated
Contact carrier material	PA
Insulating material	PA
Flammability rating according to UL 94	V0
Overvoltage category	III
Degree of pollution	3

Standards and Regulations

Flammability rating according to UL 94	V0
--	----

Environmental Product Compliance

REACH SVHC	Lead 7439-92-1
China RoHS	Environmentally Friendly Use Period = 50

Connector - QPD P 4X2,5 9-14 GY GY - 1419431

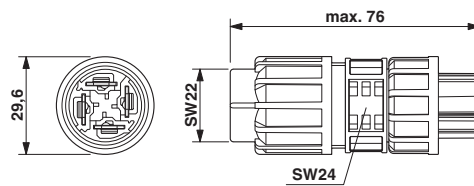
Technical data

Environmental Product Compliance

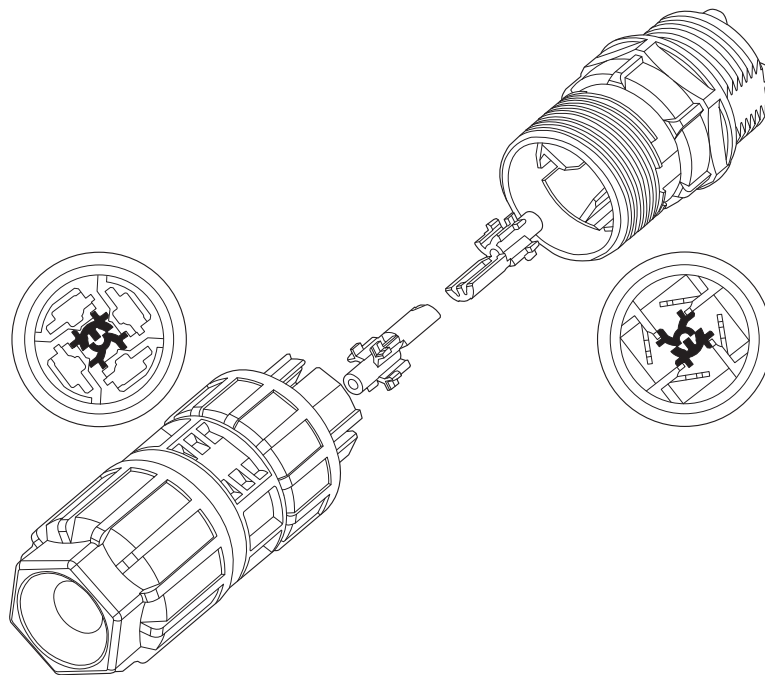
	For details about hazardous substances go to tab "Downloads", Category "Manufacturer's declaration"
--	---

Drawings

Dimensional drawing



Schematic diagram



Coding of the QUICKON plug-in connection

Phoenix Contact 2018 © - all rights reserved
<http://www.phoenixcontact.com>

PHOENIX CONTACT GmbH & Co. KG
Flachmarktstr. 8
32825 Blomberg
Germany
Tel. +49 5235 300
Fax +49 5235 3 41200
<http://www.phoenixcontact.com>

Mouser Electronics

Authorized Distributor

Click to View Pricing, Inventory, Delivery & Lifecycle Information:

[Phoenix Contact:](#)

[1419431](#)