

Housing screw connection - SACC-M12-SCO NUT VPE 500 - 1417826

Please be informed that the data shown in this PDF Document is generated from our Online Catalog. Please find the complete data in the user's documentation. Our General Terms of Use for Downloads are valid (<http://phoenixcontact.com/download>)




M12-SPEEDCON housing screw connection for M12 female inserts, with flat gasket, for all Speedcon-compatible THR and wave soldering contact carriers

Your advantages

- ✓ Easy device integration, thanks to mechanical port screw connections with threaded fastening
- ✓ Flexible PCB assembly: two-piece connectors for wave and THR soldering
- ✓ SPEEDCON fast locking system reduces cabling times



Key Commercial Data

Packing unit	500 pc
Minimum order quantity	500 pc
GTIN	 4 055626 127163
GTIN	4055626127163

Technical data

Ambient conditions

Ambient temperature (operation)	-25 °C ... 85 °C (Plug / socket)
	-40 °C ... 85 °C (without mechanical actuation)
Degree of protection	IP67 (correctly plugged in and locked)

General

Standards/regulations	IEC 61076-2-101
Torque	1.5 Nm ... 2 Nm (Installation-side)
Mounting type	M12 x 1

Material

Contact material	CuZn
Contact surface material	Ni/Au
Contact carrier material	PA 6.6

Housing screw connection - SACC-M12-SCO NUT VPE 500 - 1417826

Technical data

Material

Material of grip body	Zinc die-cast, nickel-plated
Material, knurts	Zinc die-cast, nickel-plated
Material	Zinc die-cast (nickel-plated)
Sealing material	EPDM (Internal O-ring)
	HNBR (Flat gasket)

Cable

Standards/specifications	IEC 61076-2-101
Ambient temperature (operation)	-40 °C ... 85 °C (cable, fixed installation)
	-25 °C ... 85 °C (cable, flexible installation)

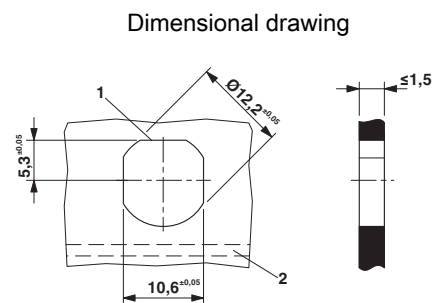
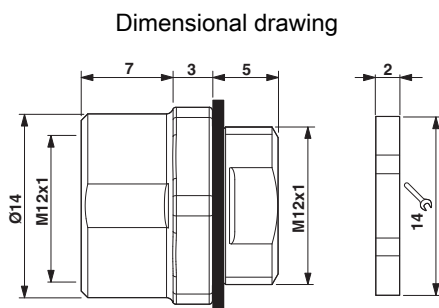
Standards and Regulations

Standards/regulations	IEC 61076-2-101
-----------------------	-----------------

Environmental Product Compliance

REACH SVHC	Lead 7439-92-1
China RoHS	Environmentally Friendly Use Period = 50
	For details about hazardous substances go to tab "Downloads", Category "Manufacturer's declaration"

Drawings



Housing cutout for M12 fastening thread, mounting panel with feed-through hole (alternative with surface as protection against rotation)

Approvals

Approvals

Approvals

EAC

Ex Approvals

Housing screw connection - SACC-M12-SCO NUT VPE 500 - 1417826

Approvals

Approval details

EAC		B.01742
-----	---	---------

Phoenix Contact 2018 © - all rights reserved
<http://www.phoenixcontact.com>

PHOENIX CONTACT GmbH & Co. KG
Flachsmarktstr. 8
32825 Blomberg
Germany
Tel. +49 5235 300
Fax +49 5235 3 41200
<http://www.phoenixcontact.com>

Mouser Electronics

Authorized Distributor

Click to View Pricing, Inventory, Delivery & Lifecycle Information:

[Phoenix Contact:](#)

[1417826](#)