

T distributor - SAC-3P-MINT/2XMIN VP - 1412393


Please be informed that the data shown in this PDF Document is generated from our Online Catalog. Please find the complete data in the user's documentation. Our General Terms of Use for Downloads are valid (<http://phoenixcontact.com/download>)



T distributor, 3-position, unshielded, Plug straight 7/8"-16UNF, on Socket straight 7/8"-16UNF and Socket straight 7/8"-16UNF, Parallel distributor

RoHS

Key Commercial Data

Packing unit	1 pc
Minimum order quantity	50 pc
GTIN	 4 046356 961479
GTIN	4046356961479

Technical data

Ambient conditions

Ambient temperature (operation)	-40 °C ... 80 °C (Plug / socket)
Degree of protection	IP65
	IP67

General

Rated current at 40°C	13 A (at 25 °C)
Rated voltage	600 V
Number of positions	3
Insulation resistance	≥ 100 MΩ
Status display	No
Overvoltage category	II
Degree of pollution	3
Insertion/withdrawal cycles	≥ 100
Torque	0.8 Nm (7/8" connectors)

Material

Flammability rating according to UL 94	HB
Contact material	CuZn

T distributor - SAC-3P-MINT/2XMIN VP - 1412393

Technical data

Material

Contact surface material	AU
Contact carrier material	TPE-U
Material of grip body	TPU
Material, knurls	Zinc die-cast, nickel-plated
Sealing material	TPU

Standards and Regulations

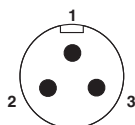
Flammability rating according to UL 94	HB
--	----

Environmental Product Compliance

REACH SVHC	Lead 7439-92-1
China RoHS	Environmentally Friendly Use Period = 50
	For details about hazardous substances go to tab "Downloads", Category "Manufacturer's declaration"

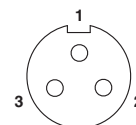
Drawings

Schematic diagram



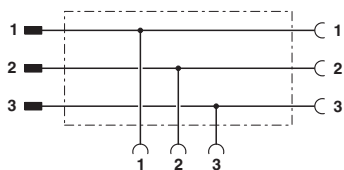
Pin assignment, plug, 7/8"-16UNF, 3-pos., view of male side

Schematic diagram



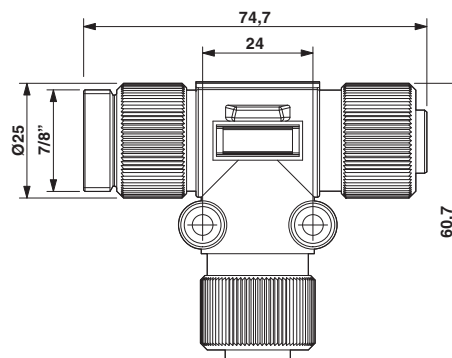
Pin assignment, socket, 7/8"-16UNF, 3-pos., view of female side

Circuit diagram



Contact assignment of the 7/8" T-distributor

Dimensional drawing



T-distributor 7/8", top view

Approvals

Approvals

T distributor - SAC-3P-MINT/2XMIN VP - 1412393

Approvals

Approvals

UL Listed / cUL Listed / EAC / cULus Listed

Ex Approvals

Approval details

UL Listed		http://database.ul.com/cgi-bin/XYV/template/LISEXT/1FRAME/index.htm	FILE E 221474
Nominal voltage UN		600 V	
Nominal current IN		13 A	

cUL Listed		http://database.ul.com/cgi-bin/XYV/template/LISEXT/1FRAME/index.htm	FILE E 221474
Nominal voltage UN		600 V	
Nominal current IN		13 A	

EAC		EAC-Zulassung
-----	--	---------------

cULus Listed	
--------------	--

Phoenix Contact 2018 © - all rights reserved
<http://www.phoenixcontact.com>

PHOENIX CONTACT GmbH & Co. KG
Flachsmarktstr. 8
32825 Blomberg
Germany
Tel. +49 5235 300
Fax +49 5235 3 41200
<http://www.phoenixcontact.com>

Mouser Electronics

Authorized Distributor

Click to View Pricing, Inventory, Delivery & Lifecycle Information:

[Phoenix Contact:](#)

[1412393](#)