

AC charging cable - EV-GBM3PC-1AC32A-5,0M6,0ESOG00 - 1408163

Please be informed that the data shown in this PDF Document is generated from our Online Catalog. Please find the complete data in the user's documentation. Our General Terms of Use for Downloads are valid (<http://phoenixcontact.com/download>)

Mobile AC charging cable with vehicle connector and infrastructure plug, with protective cap, GB/T, GB/T 20234.2, 32 A / 250 V (AC), design line D-Line, cable: 5 m, orange, straight, mating face: gray, handle area: gray




Product Description

Mobile AC charging cable with Vehicle Connector and Infrastructure Plug for charging electric vehicles (EV) with alternating current (AC), via a GB/T Vehicle-Inlet, compatible with GB/T Infrastructure Socket Outlets at charging stations (EVSE)

Why buy this product

- Consistent design of all Phoenix Contact Vehicle Connectors and Infrastructure Plugs
- Silver-plated surface of the power and signal contacts
- Certified in accordance with IATF 16949:2016 and ISO 9001:2015
- Convenient handling, thanks to the ergonomic handle and additional, rubber grip components

Key Commercial Data

Packing unit	1 pc
GTIN	 4 046356 856072
GTIN	4046356856072

Technical data

Product definition

Product type	Mobile AC charging cable with vehicle connector and infrastructure plug, with protective cap
Type	D-Line
Standards/regulations	GB/T 20234.2
Charging standard	GB/T
Charging mode	Mode 3, Case B

Dimensions

Vehicle connector width	60.00 mm
Vehicle connector height	112.40 mm
Vehicle connector depth	219.10 mm
Infrastructure plug width	60.00 mm
Infrastructure plug height	112.40 mm
Infrastructure plug depth	229.60 mm

AC charging cable - EV-GBM3PC-1AC32A-5,0M6,0ESOG00 - 1408163

Technical data

Dimensions

Conductor length	5 m
------------------	-----

Ambient conditions

Ambient temperature (operation)	-30 °C ... 50 °C
Ambient temperature (storage/transport)	-40 °C ... 80 °C
Max. altitude	5000 m (above sea level)
Degree of protection	IP55 (plugged in)
	IP54 (Protective cap)

Electrical properties

Maximum charging power	8 kW
Number of phases	1
Number of power contacts	3 (L, N, PE)
Rated current of power contacts	32 A
Rated voltage for power contacts	250 V
Number of signal contacts	2 (CP, CC)
Rated current for signal contacts	2 A
Rated voltage for signal contacts	30 V AC
Type of signal transmission	Pulse width modulation
Note on the connection method	Crimp connection, cannot be disconnected
Resistor coding	220 Ω (between PE and CC)

Mechanical properties

Insertion/withdrawal cycles	> 10000
Insertion force	< 100 N
Withdrawal force	< 100 N

Design

Design line	D-Line
Housing color	black
Mating face color	gray
Color handle area	gray
Actuating element color	gray
Color protective cap	black
Label	14.1 mm x 44.8 mm (customer logo on request)

Material

Housing material	Plastic
Material handle area	Soft plastic
Actuating lever material	Plastic
Material protective cap	Plastic
Material mating face	Plastic
Material surface of contacts	Ag

AC charging cable - EV-GBM3PC-1AC32A-5,0M6,0ESOG00 - 1408163

Technical data

Cable

Cable structure	3 x 6 mm ² + 1 x 0.5 mm ² (GB/T 25087-2010, ISO 14572)
Wiring class	Class 6
External cable diameter	13.9 mm ±0.5 mm
Type of conductor	straight
Outer sheath, material	TPE
External sheath, color	orange
Minimum bending radius	208.5 mm (15 x diameter)

Locking

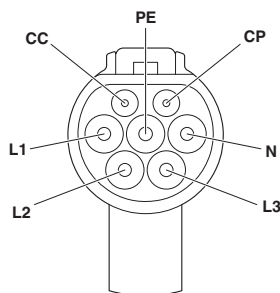
Locking type	No locking option for U-lock
--------------	------------------------------

Environmental Product Compliance

REACH SVHC	Lead 7439-92-1
China RoHS	Environmentally Friendly Use Period = 10;
	For details about hazardous substances go to tab "Downloads", Category "Manufacturer's declaration"

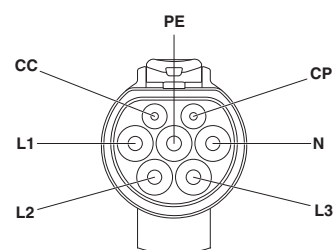
Drawings

Connection diagram



Pin assignment of Infrastructure Plug

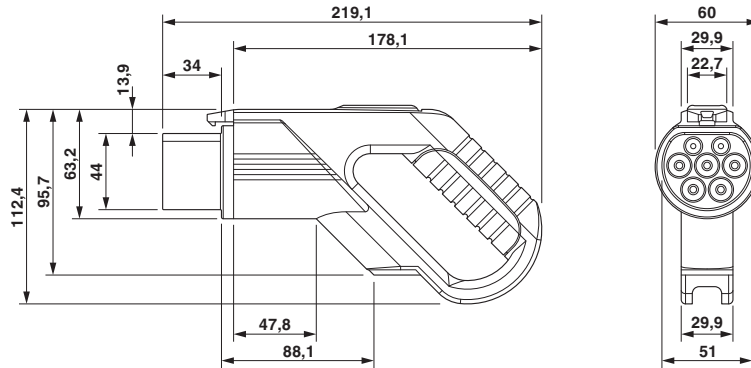
Schematic diagram



Pin assignment of the Vehicle Connector

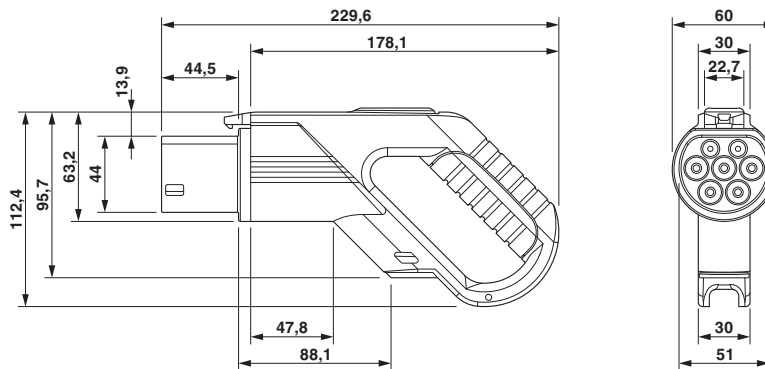
AC charging cable - EV-GBM3PC-1AC32A-5,0M6,0ESOG00 - 1408163

Dimensional drawing



Vehicle connector

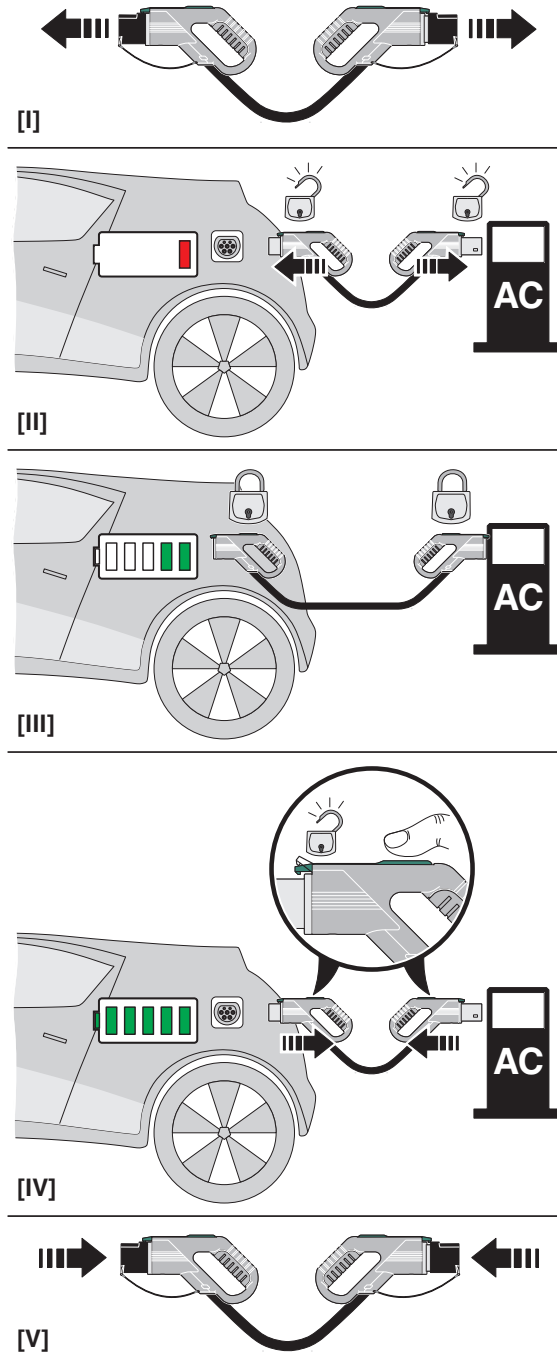
Dimensional drawing



Infrastructure plug

AC charging cable - EV-GBM3PC-1AC32A-5,0M6,0ESOG00 - 1408163

Schematic diagram



AC charging cable - EV-GBM3PC-1AC32A-5,0M6,0ESOG00 - 1408163

Approvals

Approvals

Approvals

CQC

Ex Approvals

Approval details

CQC	http://www.cqc.com.cn/www/english/certificateinquiry/	CQC14029109201-2
-----	---	------------------

Phoenix Contact 2018 © - all rights reserved
<http://www.phoenixcontact.com>

PHOENIX CONTACT GmbH & Co. KG
Flachsmarktstr. 8
32825 Blomberg
Germany
Tel. +49 5235 300
Fax +49 5235 3 41200
<http://www.phoenixcontact.com>

Mouser Electronics

Authorized Distributor

Click to View Pricing, Inventory, Delivery & Lifecycle Information:

[Phoenix Contact:](#)

[1408163](#)