


## Sensor/actuator cable - SAC-5P-MS-1/A-L-S/0,2PUR/A-L-S - 1403873

Please be informed that the data shown in this PDF Document is generated from our Online Catalog. Please find the complete data in the user's documentation. Our General Terms of Use for Downloads are valid (<http://phoenixcontact.com/download>)

Sensor/actuator cable, 3-pos., PUR/PVC, black RAL 9005, straight M12 male plug, A-coded, to valve connector A, with 1 LED, connected to a Zener diode and valve connector A, with 1 LED, connected to a Zener diode, cable length: 1 m

### Key Commercial Data

Packing unit	1 pc
Minimum order quantity	50 pc
GTIN	 4 046356 671361
GTIN	4046356671361

### Technical data

#### Dimensions

Length of cable	1 m
-----------------	-----

#### Ambient conditions

Degree of protection	IP67
----------------------	------

#### General

Rated current at 40°C	4 A
Rated voltage	24 V AC
	24 V DC
Number of positions	3
Insulation resistance	≥ 100 MΩ
Status display	1 LED
Protective circuit/component	Z diode
Overvoltage category	II
Degree of pollution	3
Insertion/withdrawal cycles	≥ 100

#### Material

Flammability rating according to UL 94	HB
Valve plug contact material	CuSn
Valve plug contact surface material	Ag
Valve plug contact insert material	PBT

# Sensor/actuator cable - SAC-5P-MS-1/A-L-S/0,2PUR/A-L-S - 1403873

## Technical data

### Material

Material housing valve plug	PBT
Sealing material	TPU (Flat gasket valve plug)

### Standards and Regulations

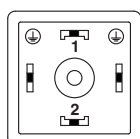
Flammability rating according to UL 94	HB
--	----

### Environmental Product Compliance

China RoHS	Environmentally Friendly Use Period = 50
	For details about hazardous substances go to tab "Downloads", Category "Manufacturer's declaration"

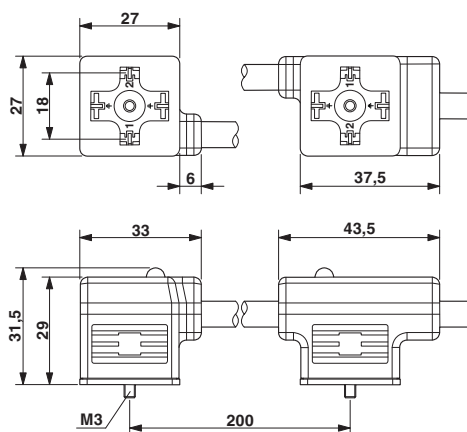
## Drawings

Schematic diagram



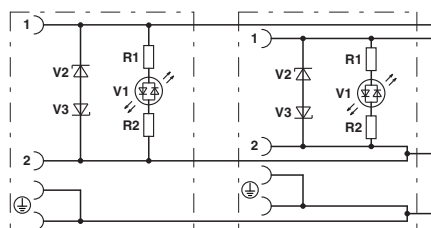
Valve connector pin assignment, type A

Dimensional drawing



Double valve connector, 2x type A

Circuit diagram



Wiring of double valve connector cable

Phoenix Contact 2018 © - all rights reserved  
<http://www.phoenixcontact.com>

PHOENIX CONTACT GmbH & Co. KG  
Flachmarktstr. 8  
32825 Blomberg  
Germany  
Tel. +49 5235 300  
Fax +49 5235 3 41200  
<http://www.phoenixcontact.com>

# Mouser Electronics

Authorized Distributor

Click to View Pricing, Inventory, Delivery & Lifecycle Information:

[Phoenix Contact:](#)

[1403873](#)