

# Optocoupler - PLC-OSC-120UC/ 24DC/ 2/C1D2 - 5603262


Please be informed that the data shown in this PDF Document is generated from our Online Catalog. Please find the complete data in the user's documentation. Our General Terms of Use for Downloads are valid (<http://phoenixcontact.com/download>)



PLC-INTERFACE, consisting of DIN rail-mountable basic terminal block with screw connection and plug-in miniature solid-state relay, input: 120 V AC/110 V DC, output: 3 - 33 V DC/3 A, UL/cUL: approved for use in Ex Zone Class I, Div. 2



## Key Commercial Data

|              |   |
|--------------|---|
| Packing unit | 10 pc   |
| GTIN         | <br>4 046356 679831 |
| GTIN         | 4046356679831   |

## Technical data

### Note

|                         |   |
|-------------------------|---|
| Utilization restriction | EMC: class A product, see manufacturer's declaration in the download area |
|-------------------------|---|

### Dimensions

|        |        |
|--------|--------|
| Width  | 6.2 mm |
| Height | 80 mm  |
| Depth  | 94 mm  |

### Ambient conditions

|   |                  |
|---|------------------|
| Ambient temperature (operation)         | -20 °C ... 60 °C |
| Ambient temperature (storage/transport) | -40 °C ... 85 °C |

### Input data

|  |                       |
|--|-----------------------|
| Nominal input voltage $U_N$                          | 120 V AC              |
|  | 110 V DC              |
| Input voltage range in reference to $U_N$            | 0.9 ... 1.1           |
| Input voltage range                                  | 108 V AC ... 132 V AC |
|  | 99 V DC ... 121 V DC  |
| Switching threshold "0" signal in reference to $U_N$ | $\leq 0.3$            |

# Optocoupler - PLC-OSC-120UC/ 24DC/ 2/C1D2 - 5603262

## Technical data

### Input data

|   |                             |
|---|-----------------------------|
| Switching threshold "1" signal in reference to U <sub>N</sub> | ≥ 0.8                       |
| Typical input current at U <sub>N</sub>                       | 3.5 mA                      |
| Typical response time   | 3.5 ms (at U <sub>N</sub> ) |
| Typical turn-off time   | 7 ms (at U <sub>N</sub> )   |
| Operating voltage display                                     | Yellow LED                  |
| Type of protection  | Bridge rectifier            |
| Protective circuit/component                                  | Bridge rectifier            |
| Transmission frequency  | 10 Hz                       |
| Power dissipation for nominal condition                       | 0.42 W                      |

### Output data

|  |                             |
|--|-----------------------------|
| Output voltage range                             | 3 V DC ... 33 V DC          |
| Limiting continuous current                      | 3 A                         |
| Maximum inrush current                           | 15 A (10 ms)                |
| Voltage drop at max. limiting continuous current | ≤ 200 mV                    |
| Output circuit                                   | 2-wire, floating            |
| Type of protection                               | Reverse polarity protection |
|  | Surge protection            |
| Protective circuit/component                     | Polarity protection diode   |

### General

|  |                           |
|--|---------------------------|
| Test voltage input/output              | 2.5 kV (50 Hz, 1 min.)    |
| Mounting position                      | any                       |
| Assembly instructions                  | In rows with zero spacing |
| Operating mode                         | 100% operating factor     |
| Flammability rating according to UL 94 | V0 (Housing)              |

### Connection data

|                                  |  |
|----------------------------------|--|
| Connection name                  | Input side                                   |
| Connection method                | Screw connection                             |
| Stripping length                 | 8 mm   |
| Screw thread                     | M 3  |
| Conductor cross section solid    | 0.14 mm <sup>2</sup> ... 2.5 mm <sup>2</sup> |
| Conductor cross section flexible | 0.14 mm <sup>2</sup> ... 2.5 mm <sup>2</sup> |
| Conductor cross section AWG      | 26 ... 14                                    |

### Connection data 2

|                                  |  |
|----------------------------------|--|
| Connection name                  | Output side                                  |
| Connection method                | Screw connection                             |
| Stripping length                 | 8 mm   |
| Screw thread                     | M 3  |
| Conductor cross section solid    | 0.14 mm <sup>2</sup> ... 2.5 mm <sup>2</sup> |
| Conductor cross section flexible | 0.14 mm <sup>2</sup> ... 2.5 mm <sup>2</sup> |

# Optocoupler - PLC-OSC-120UC/ 24DC/ 2/C1D2 - 5603262

## Technical data

### Connection data 2

|                             |           |
|-----------------------------|-----------|
| Conductor cross section AWG | 26 ... 14 |
|-----------------------------|-----------|

### Standards and Regulations

|                       |                       |
|-----------------------|-----------------------|
| Designation           | Standards/regulations |
| Standards/regulations | IEC 60664             |
|                       | EN 50178              |
| Insulation            | Basic insulation      |
| Pollution degree      | 2                     |
| Overvoltage category  | III                   |

### Conformance/approvals

|                |                                       |
|----------------|---------------------------------------|
| Designation    | CE                                    |
| Identification | CE-compliant                          |
| Designation    | UL, USA                               |
| Identification | Class I, Zone 2, AEx nA nC IIC T6     |
| Designation    | UL, USA/Canada                        |
| Identification | Class I, Div. 2, Groups A, B, C, D    |
| Designation    | UL, Canada                            |
| Identification | Class I, Zone 2, Ex nA nC IIC Gc T6 X |

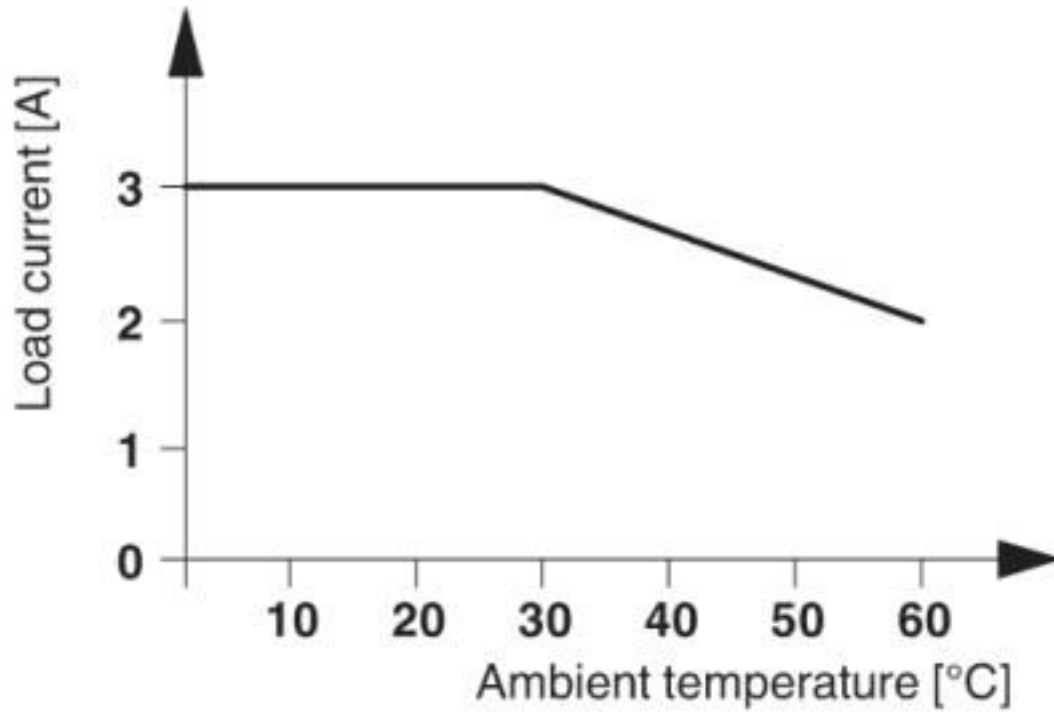
### Environmental Product Compliance

|            |   |
|------------|---|
| REACH SVHC | Lead 7439-92-1  |
| China RoHS | Environmentally Friendly Use Period = 50 years  |
|            | For details about hazardous substances go to tab "Downloads", Category "Manufacturer's declaration" |

## Drawings

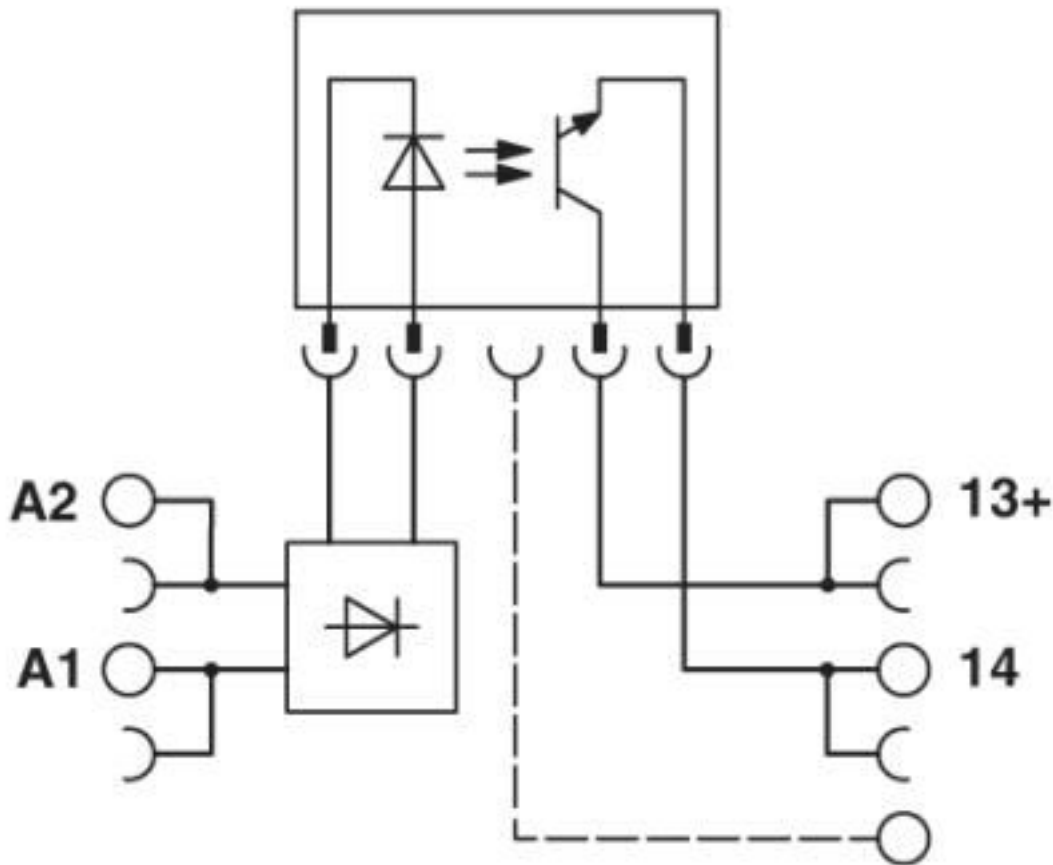
# Optocoupler - PLC-OSC-120UC/ 24DC/ 2/C1D2 - 5603262

Diagram



# Optocoupler - PLC-OSC-120UC/ 24DC/ 2/C1D2 - 5603262

Circuit diagram



## Classifications

### eCl@ss

|               |          |
|---------------|----------|
| eCl@ss 10.0.1 | 27371604 |
| eCl@ss 4.0    | 27371100 |
| eCl@ss 4.1    | 27371100 |
| eCl@ss 5.0    | 27371000 |
| eCl@ss 5.1    | 27371000 |
| eCl@ss 6.0    | 27371600 |
| eCl@ss 7.0    | 27371604 |
| eCl@ss 8.0    | 27371604 |
| eCl@ss 9.0    | 27371604 |

### ETIM

|          |          |
|----------|----------|
| ETIM 2.0 | EC001504 |
| ETIM 3.0 | EC001504 |
| ETIM 4.0 | EC001504 |
| ETIM 5.0 | EC001504 |

# Optocoupler - PLC-OSC-120UC/ 24DC/ 2/C1D2 - 5603262

## Classifications

### ETIM

|          |          |
|----------|----------|
| ETIM 6.0 | EC001504 |
| ETIM 7.0 | EC001504 |

### UNSPSC

|               |          |
|---------------|----------|
| UNSPSC 6.01   | 30211916 |
| UNSPSC 7.0901 | 39121542 |
| UNSPSC 11     | 39121542 |
| UNSPSC 12.01  | 39121542 |
| UNSPSC 13.2   | 39122326 |
| UNSPSC 18.0   | 39122326 |
| UNSPSC 19.0   | 39122326 |
| UNSPSC 20.0   | 39122326 |
| UNSPSC 21.0   | 39122326 |

## Approvals

### Approvals

Approvals

EAC

Ex Approvals

UL Listed / cUL Listed / cULus Listed

### Approval details

|     |  |                          |
|-----|--|--------------------------|
| EAC |  | RU C-<br>DE.A*30.B.01082 |
|-----|--|--------------------------|

## Accessories

### Accessories

#### Bridge

Continuous plug-in bridge - FBST 500-PLC RD - 2966786



Continuous plug-in bridge, length: 500 mm, color: red

# Optocoupler - PLC-OSC-120UC/ 24DC/ 2/C1D2 - 5603262

## Accessories

Continuous plug-in bridge - FBST 500-PLC BU - 2966692



Continuous plug-in bridge, length: 500 mm, color: blue

---

Continuous plug-in bridge - FBST 500-PLC GY - 2966838



Continuous plug-in bridge, length: 500 mm, color: gray

---

Single plug-in bridge - FBST 6-PLC RD - 2966236



Single plug-in bridge, length: 6 mm, number of positions: 2, color: red

---

Single plug-in bridge - FBST 6-PLC BU - 2966812



Single plug-in bridge, length: 6 mm, number of positions: 2, color: blue

---

Single plug-in bridge - FBST 6-PLC GY - 2966825



Single plug-in bridge, length: 6 mm, number of positions: 2, color: gray

---

## Optocoupler - PLC-OSC-120UC/ 24DC/ 2/C1D2 - 5603262

### Accessories

Single plug-in bridge - FBST 8-PLC GY - 2967688



Single plug-in bridge, length: 8 mm, number of positions: 2, color: gray

---

Single plug-in bridge - FBST 14-PLC BK - 2967691



Single plug-in bridge, length: 14 mm, number of positions: 2, color: black

---

### DIN rail

DIN rail perforated - NS 35/ 7,5 PERF 2000MM - 0801733



DIN rail perforated, Standard profile, width: 35 mm, height: 7.5 mm, acc. to EN 60715, material: Steel, galvanized, passivated with a thick layer, length: 2000 mm, color: silver

---

DIN rail, unperforated - NS 35/ 7,5 UNPERF 2000MM - 0801681



DIN rail, unperforated, Standard profile, width: 35 mm, height: 7.5 mm, acc. to EN 60715, material: Steel, galvanized, passivated with a thick layer, length: 2000 mm, color: silver

---

DIN rail perforated - NS 35/ 7,5 WH PERF 2000MM - 1204119



DIN rail perforated, Standard profile, width: 35 mm, height: 7.5 mm, acc. to EN 60715, material: Steel, Galvanized, white passivated, length: 2000 mm, color: silver

---



## Optocoupler - PLC-OSC-120UC/ 24DC/ 2/C1D2 - 5603262

### Accessories

DIN rail, unperforated - NS 35/ 7,5 WH UNPERF 2000MM - 1204122



DIN rail, unperforated, Standard profile, width: 35 mm, height: 7.5 mm, acc. to EN 60715, material: Steel, Galvanized, white passivated, length: 2000 mm, color: silver

---

DIN rail, unperforated - NS 35/ 7,5 AL UNPERF 2000MM - 0801704



DIN rail, unperforated, Standard profile, width: 35 mm, height: 7.5 mm, acc. to EN 60715, material: Aluminum, uncoated, length: 2000 mm, color: silver

---

DIN rail perforated - NS 35/ 7,5 ZN PERF 2000MM - 1206421



DIN rail perforated, Standard profile, width: 35 mm, height: 7.5 mm, acc. to EN 60715, material: Steel, galvanized, length: 2000 mm, color: silver

---

DIN rail, unperforated - NS 35/ 7,5 ZN UNPERF 2000MM - 1206434



DIN rail, unperforated, Standard profile, width: 35 mm, height: 7.5 mm, acc. to EN 60715, material: Steel, galvanized, length: 2000 mm, color: silver

---

DIN rail, unperforated - NS 35/ 7,5 CU UNPERF 2000MM - 0801762



DIN rail, unperforated, Standard profile, width: 35 mm, height: 7.5 mm, acc. to EN 60715, material: Copper, uncoated, length: 2000 mm, color: copper-colored

---

## Optocoupler - PLC-OSC-120UC/ 24DC/ 2/C1D2 - 5603262

### Accessories

End cap - NS 35/ 7,5 CAP - 1206560

DIN rail end piece, for DIN rail NS 35/7.5



---

DIN rail perforated - NS 35/15 PERF 2000MM - 1201730



DIN rail perforated, Standard profile, width: 35 mm, height: 15 mm, similar to EN 60715, material: Steel, galvanized, passivated with a thick layer, length: 2000 mm, color: silver

---

DIN rail, unperforated - NS 35/15 UNPERF 2000MM - 1201714



DIN rail, unperforated, Standard profile, width: 35 mm, height: 15 mm, similar to EN 60715, material: Steel, galvanized, passivated with a thick layer, length: 2000 mm, color: silver

---

DIN rail perforated - NS 35/15 WH PERF 2000MM - 0806602



DIN rail perforated, Standard profile, width: 35 mm, height: 15 mm, similar to EN 60715, material: Steel, Galvanized, white passivated, length: 2000 mm, color: silver

---

DIN rail, unperforated - NS 35/15 WH UNPERF 2000MM - 1204135



DIN rail, unperforated, Standard profile, width: 35 mm, height: 15 mm, similar to EN 60715, material: Steel, Galvanized, white passivated, length: 2000 mm, color: silver

## Optocoupler - PLC-OSC-120UC/ 24DC/ 2/C1D2 - 5603262

### Accessories

DIN rail, unperforated - NS 35/15 AL UNPERF 2000MM - 1201756



DIN rail, unperforated, Standard profile, width: 35 mm, height: 15 mm, similar to EN 60715, material: Aluminum, uncoated, length: 2000 mm, color: silver

---

DIN rail perforated - NS 35/15 ZN PERF 2000MM - 1206599



DIN rail perforated, Standard profile, width: 35 mm, height: 15 mm, similar to EN 60715, material: Steel, galvanized, length: 2000 mm, color: silver

---

DIN rail, unperforated - NS 35/15 ZN UNPERF 2000MM - 1206586



DIN rail, unperforated, Standard profile, width: 35 mm, height: 15 mm, similar to EN 60715, material: Steel, galvanized, length: 2000 mm, color: silver

---

DIN rail, unperforated - NS 35/15 CU UNPERF 2000MM - 1201895



DIN rail, unperforated, Standard profile, width: 35 mm, height: 15 mm, similar to EN 60715, material: Copper, uncoated, length: 2000 mm, color: copper-colored

---

End cap - NS 35/15 CAP - 1206573



DIN rail end piece, for DIN rail NS 35/15

---

## Optocoupler - PLC-OSC-120UC/ 24DC/ 2/C1D2 - 5603262

### Accessories

DIN rail, unperforated - NS 35/15-2,3 UNPERF 2000MM - 1201798



DIN rail, unperforated, Standard profile 2.3 mm, width: 35 mm, height: 15 mm, acc. to EN 60715, material: Steel, galvanized, passivated with a thick layer, length: 2000 mm, color: silver

---

### Labeled terminal marker

Zack marker strip - ZB 6 CUS - 0824992



Zack marker strip, can be ordered: Strip, white, labeled according to customer specifications, mounting type: snap into tall marker groove, for terminal block width: 6.2 mm, lettering field size: 6.15 x 10.5 mm, Number of individual labels: 10

---

Zack marker strip - ZB 6,LGS:FORTL.ZAHLEN - 1051016



Zack marker strip, Strip, white, labeled, can be labeled with: CMS-P1-PLOTTER, printed horizontally: consecutive numbers 1 ... 10, 11 ... 20, etc. up to 491 ... 500, mounting type: snap into tall marker groove, for terminal block width: 6.2 mm, lettering field size: 6.15 x 10.5 mm, Number of individual labels: 10

---

Zack marker strip - ZB 6,QR:FORTL.ZAHLEN - 1051029



Zack marker strip, Strip, white, labeled, can be labeled with: CMS-P1-PLOTTER, Printed vertically: consecutive numbers 1 ... 10, 11 ... 20, etc. up to 491 ... 500, mounting type: snap into tall marker groove, for terminal block width: 6.2 mm, lettering field size: 6.15 x 10.5 mm, Number of individual labels: 10

---

Zack marker strip - ZB 6,LGS:GLEICHE ZAHLEN - 1051032



Zack marker strip, Strip, white, labeled, can be labeled with: CMS-P1-PLOTTER, printed horizontally: Identical numbers 1 or 2, etc. up to 100, mounting type: snap into tall marker groove, for terminal block width: 6.2 mm, lettering field size: 6.15 x 10.5 mm, Number of individual labels: 10

## Optocoupler - PLC-OSC-120UC/ 24DC/ 2/C1D2 - 5603262

### Accessories

Marker for terminal blocks - ZB 6,LGS:L1-N,PE - 1051414



Marker for terminal blocks, Strip, white, labeled, can be labeled with: CMS-P1-PLOTTER, horizontal: L1, L2, L3, N, PE, L1, L2, L3, N, PE, mounting type: snap into tall marker groove, for terminal block width: 6.2 mm, lettering field size: 6.15 x 10.5 mm, Number of individual labels: 10

Marker for terminal blocks - ZB 6,LGS:U-N - 1051430



Marker for terminal blocks, Strip, white, labeled, can be labeled with: CMS-P1-PLOTTER, printed horizontally: U, V, W, N, GND, U, V, W, N, GND, mounting type: snap into tall marker groove, for terminal block width: 6.2 mm, lettering field size: 6.15 x 10.5 mm, Number of individual labels: 10

Marker for terminal blocks - UC-TM 6 CUS - 0824589



Marker for terminal blocks, can be ordered: by sheet, white, labeled according to customer specifications, mounting type: snap into tall marker groove, for terminal block width: 6.2 mm, lettering field size: 5.6 x 10.5 mm, Number of individual labels: 80

Marker for terminal blocks - UCT-TM 6 CUS - 0829602



Marker for terminal blocks, can be ordered: by sheet, white, labeled according to customer specifications, mounting type: snap into tall marker groove, for terminal block width: 6.2 mm, lettering field size: 5.6 x 10.5 mm, Number of individual labels: 60

### Partition plate

Separating plate - PLC-ATP BK - 2966841



Separating plate, 2 mm thick, required at the start and end of a PLC terminal strip. Furthermore, it is used for: visual separation of groups, safe isolation of different voltages of neighboring PLC relays in acc. with DIN VDE 0106-101, isolation

### Terminal marking

## Optocoupler - PLC-OSC-120UC/ 24DC/ 2/C1D2 - 5603262

### Accessories

Zack marker strip - ZB 6:UNBEDRUCKT - 1051003



Zack marker strip, Strip, white, unlabeled, can be labeled with: PLOTMARK, CMS-P1-PLOTTER, mounting type: snap into tall marker groove, for terminal block width: 6.2 mm, lettering field size: 6.15 x 10.5 mm, Number of individual labels: 10

Marker for terminal blocks - UC-TM 6 - 0818085



Marker for terminal blocks, Sheet, white, unlabeled, can be labeled with: BLUEMARK ID COLOR, BLUEMARK ID, BLUEMARK CLED, PLOTMARK, CMS-P1-PLOTTER, mounting type: snap into tall marker groove, for terminal block width: 6.2 mm, lettering field size: 5.6 x 10.5 mm, Number of individual labels: 80

Marker for terminal blocks - UCT-TM 6 - 0828736



Marker for terminal blocks, Sheet, white, unlabeled, can be labeled with: TOPMARK NEO, TOPMARK LASER, BLUEMARK ID COLOR, BLUEMARK ID, BLUEMARK CLED, THERMOMARK PRIME, THERMOMARK CARD 2.0, THERMOMARK CARD, mounting type: snap into tall marker groove, for terminal block width: 6.2 mm, lettering field size: 5.6 x 10.5 mm, Number of individual labels: 60

### Spare parts

Miniature solid-state relay - OPT-60DC/ 24DC/ 2 - 2966605



Plug-in miniature solid-state relay, power solid-state relay, 1 N/O contact, input: 60 V DC, output: 3 ... 33 V DC/3 A

Phoenix Contact 2020 © - all rights reserved  
<http://www.phoenixcontact.com>

PHOENIX CONTACT GmbH & Co. KG  
Flachsmarktstr. 8  
32825 Blomberg  
Germany  
Tel. +49 5235 300  
Fax +49 5235 3 41200  
<http://www.phoenixcontact.com>

# Mouser Electronics

Authorized Distributor

Click to View Pricing, Inventory, Delivery & Lifecycle Information:

[Phoenix Contact:](#)

[5603262](#)