

## Ferrule - AI 0,75- 6 GY - 3200690

Please be informed that the data shown in this PDF Document is generated from our Online Catalog. Please find the complete data in the user's documentation. Our General Terms of Use for Downloads are valid (<http://phoenixcontact.com/download>)




Ferrule, sleeve length: 6 mm, length: 12 mm, color: gray

### Your advantages

- ✓ The AI 0,25.. ferrules can also be used to process 0.14 mm<sup>2</sup> conductors
- ✓ The ferrules with plastic sleeve are made from soft tin-plated electrolytic copper
- ✓ The insulation reliability of close connections is increased and the splicing of wires is prevented

### Key Commercial Data

|                        |   |
|------------------------|---|
| Packing unit           | 100 pc  |
| Minimum order quantity | 100 pc  |
| GTIN                   | <br>4 017918 094287 |
| GTIN                   | 4017918094287   |
| Sales Key              | 05  |

### Technical data

#### Dimensions

|  |         |
|--|---------|
| Length (b)                                   | 12 mm   |
| Maximum stripping length                     | 9 mm    |
| Sleeve length                                | 6 mm    |
| Inner dimension of the insulating collar (d) | 2.8 mm  |
| Ferrule diameter                             | 1.3 mm  |
| Insulating collar thickness                  | 0.25 mm |
| Sleeve wall thickness                        | 0.15 mm |

#### Ambient conditions

|                            |   |
|----------------------------|---|
| Short-term temperature     | 120 °C                                    |
| Max. permanent temperature | 105 °C (-40°C no load / 0°C dynamic load) |

# Ferrule - Al 0,75- 6 GY - 3200690

## Technical data

### General

|  |   |
|--|---|
| Color                                  | gray  |
| Components                             | free from silicone and halogen                  |
| Flammability rating according to UL 94 | HB  |
| Material                               | CU-DHP  |
| Coating                                | tin-plated (galvanic)                           |
| Conductor category                     | Stranded conductors, class 2, 5, 6 / B, C, K, M |

### Standards and Regulations

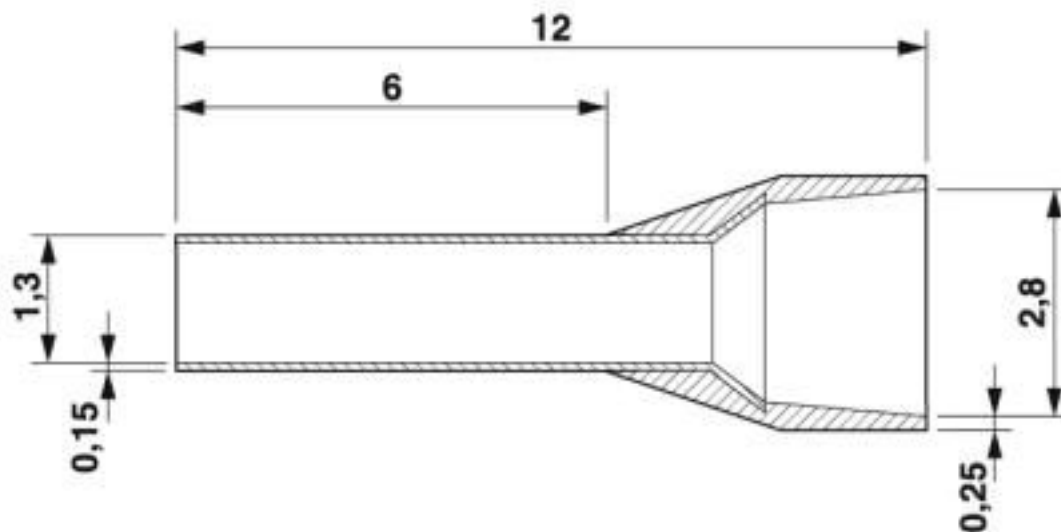
|  |     |
|--|-----|
| Connection in acc. with standard       | CSA |
| Flammability rating according to UL 94 | HB  |

### Environmental Product Compliance

|            |   |
|------------|---|
| China RoHS | Environmentally friendly use period: unlimited = EFUP-e |
|            | No hazardous substances above threshold values          |

## Drawings

Dimensional drawing



## Classifications

### eCl@ss

|               |          |
|---------------|----------|
| eCl@ss 10.0.1 | 27400201 |
| eCl@ss 4.0    | 27060700 |
| eCl@ss 4.1    | 27060700 |
| eCl@ss 5.0    | 27400200 |
| eCl@ss 5.1    | 27400200 |
| eCl@ss 6.0    | 27400200 |

# Ferrule - AI 0,75- 6 GY - 3200690

## Classifications

### eCl@ss

|            |          |
|------------|----------|
| eCl@ss 7.0 | 27400201 |
| eCl@ss 8.0 | 27400201 |
| eCl@ss 9.0 | 27400201 |

### ETIM

|          |          |
|----------|----------|
| ETIM 2.0 | EC000005 |
| ETIM 3.0 | EC000005 |
| ETIM 4.0 | EC000005 |
| ETIM 5.0 | EC000005 |
| ETIM 6.0 | EC000005 |
| ETIM 7.0 | EC000005 |

### UNSPSC

|               |          |
|---------------|----------|
| UNSPSC 6.01   | 30212109 |
| UNSPSC 7.0901 | 27121703 |
| UNSPSC 11     | 27121703 |
| UNSPSC 12.01  | 27121703 |
| UNSPSC 13.2   | 27121703 |
| UNSPSC 18.0   | 27121703 |
| UNSPSC 19.0   | 27121703 |
| UNSPSC 20.0   | 27121703 |
| UNSPSC 21.0   | 27121703 |

## Approvals

### Approvals

---

#### Approvals

CSA / UL Listed / cUL Listed / CSAus / cULus Listed / cCSAus

---

#### Ex Approvals

---

### Approval details

|     |  |   |        |
|-----|--|---|--------|
| CSA |  | <a href="http://www.csagroup.org/services-industries/product-listing/">http://www.csagroup.org/services-industries/product-listing/</a> | 247397 |
|-----|--|---|--------|

# Ferrule - AI 0,75- 6 GY - 3200690

## Approvals

|           |  |   |         |
|-----------|--|---|---------|
| UL Listed |  | <a href="http://database.ul.com/cgi-bin/XYV/template/LISEXT/1FRAME/index.htm">http://database.ul.com/cgi-bin/XYV/template/LISEXT/1FRAME/index.htm</a> | E488001 |
|-----------|--|---|---------|

|            |  |   |         |
|------------|--|---|---------|
| cUL Listed |  | <a href="http://database.ul.com/cgi-bin/XYV/template/LISEXT/1FRAME/index.htm">http://database.ul.com/cgi-bin/XYV/template/LISEXT/1FRAME/index.htm</a> | E488001 |
|------------|--|---|---------|

|       |  |   |        |
|-------|--|---|--------|
| CSAus |  | <a href="http://www.csagroup.org/services-industries/product-listing/">http://www.csagroup.org/services-industries/product-listing/</a> | 247397 |
|-------|--|---|--------|

|              |  |  |  |
|--------------|--|--|--|
| cULus Listed |  |  |  |
|--------------|--|--|--|

|        |  |  |  |
|--------|--|--|--|
| cCSAus |  |  |  |
|--------|--|--|--|

## Accessories

### Accessories

#### Crimping tool

Crimping pliers - CRIMPFOX CENTRUS 6S - 1213144



Crimping pliers, for uninsulated and insulated ferrules, DIN 46228 Part 1 and 4, from 0.14 mm<sup>2</sup> ... 6 mm<sup>2</sup>, also for TWIN ferrules up to 2 x 4 mm<sup>2</sup>, automatic cross section adjustment, lateral insertion, equipped with fall protection

Crimping pliers - CRIMPFOX CENTRUS 6H - 1213146



Crimping pliers, for uninsulated and insulated ferrules, DIN 46228 Part 1 and 4, from 0.14 mm<sup>2</sup> ... 6 mm<sup>2</sup>, also for TWIN ferrules up to 2 x 4 mm<sup>2</sup>, automatic cross section adjustment, lateral insertion, equipped with fall protection

## Ferrule - AI 0,75- 6 GY - 3200690

### Accessories

#### Crimping pliers - CRIMPFOX CENTRUS 10S - 1213154



Crimping pliers, for uninsulated and insulated ferrules, DIN 46228 Part 1 and 4, from 0.14 mm<sup>2</sup> ... 10 mm<sup>2</sup>, also for TWIN ferrules up to 2 x 4 mm<sup>2</sup>, automatic cross section adjustment, lateral insertion, equipped with fall protection

---

#### Crimping pliers - CRIMPFOX CENTRUS 10H - 1213156



Crimping pliers, for uninsulated and insulated ferrules, DIN 46228 Part 1 and 4, from 0.14 mm<sup>2</sup> ... 10 mm<sup>2</sup>, also for TWIN ferrules up to 2 x 4 mm<sup>2</sup>, automatic cross section adjustment, lateral insertion, equipped with fall protection

---

#### Crimping pliers - CRIMPFOX 10S - 1212045



Crimping pliers, for ferrules without insulating collar according to DIN 46228 Part 1 and ferrules with insulating collar according to DIN 46228 Part 4, 0.14 mm<sup>2</sup> ... 10 mm<sup>2</sup>, unlockable pressure lock, lateral entry

---

#### Crimping pliers - CRIMPFOX 6H - 1212046



Crimping pliers, for ferrules without insulating collar according to DIN 46228 Part 1 and ferrules with insulating collar according to DIN 46228 Part 4, 0.14 mm<sup>2</sup> ... 6 mm<sup>2</sup>, unlockable pressure lock, lateral entry

---

#### Crimping pliers - CRIMPFOX 2,5-M - 1212719



Crimping pliers, for ferrules without insulating collar according to DIN 46228 Part 1 and ferrules with insulating collar according to DIN 46228 Part 4, 0.25 mm<sup>2</sup> ... 2.5 mm<sup>2</sup>, lateral entry, trapezoidal crimp

---

## Ferrule - AI 0,75- 6 GY - 3200690

### Accessories

#### Crimping pliers - CRIMPFOX 6-M - 1212720



Crimping pliers, for ferrules without insulating collar according to DIN 46228 Part 1 and ferrules with insulating collar according to DIN 46228 Part 4, 0.25 mm<sup>2</sup> ... 6.0 mm<sup>2</sup>, lateral entry, trapezoidal crimp

---

#### Crimping pliers - CRIMPFOX 6 - 1212034



Crimping pliers, for ferrules without insulating collar according to DIN 46228 Part 1 and ferrules with insulating collar according to DIN 46228 Part 4, 0.25 mm<sup>2</sup> ... 6.0 mm<sup>2</sup>, lateral entry, trapezoidal crimp

---

#### Crimping pliers - CRIMPFOX 6T - 1212037



Crimping pliers, for ferrules without insulating collar according to DIN 46228 Part 1 and ferrules with insulating collar according to DIN 46228 Part 4, 0.25 mm<sup>2</sup> ... 6 mm<sup>2</sup>, lateral entry, trapezoidal crimp

---

#### Crimping pliers - CRIMPFOX 6T-F - 1212038



Crimping pliers, for ferrules without insulating collar according to DIN 46228 Part 1 and ferrules with insulating collar according to DIN 46228 Part 4, 0.25 mm<sup>2</sup> ... 6 mm<sup>2</sup>, front entry, trapezoidal crimp

---

#### Crimping pliers - CRIMPFOX 6S-F - 1212043



Crimping pliers, for ferrules without insulating collar according to DIN 46228 Part 1 and ferrules with insulating collar according to DIN 46228 Part 4, 0.5 mm<sup>2</sup> ... 6 mm<sup>2</sup>, front entry, square crimp

---

## Ferrule - Al 0,75- 6 GY - 3200690

### Accessories

Crimping pliers - CRIMPFOX 16 S - 1207983



Crimping pliers for ferrules up to 16 mm<sup>2</sup>

---

Phoenix Contact 2020 © - all rights reserved  
<http://www.phoenixcontact.com>

PHOENIX CONTACT GmbH & Co. KG  
Flachsmarktstr. 8  
32825 Blomberg  
Germany  
Tel. +49 5235 300  
Fax +49 5235 3 41200  
<http://www.phoenixcontact.com>

# Mouser Electronics

Authorized Distributor

Click to View Pricing, Inventory, Delivery & Lifecycle Information:

[Phoenix Contact:](#)

[3200690](#)