

## Support bracket - AB-SK-D TOP - 3062100

Please be informed that the data shown in this PDF Document is generated from our Online Catalog. Please find the complete data in the user's documentation. Our General Terms of Use for Downloads are valid (<http://phoenixcontact.com/download>)

Support bracket, Bracket for busbars, set every 20 cm, length: 155.8 mm, width: 5.2 mm, number of positions: 2, color: gray




### Your advantages

- ✓ For mounting SK and SKS shield connection clamps
- ✓ Can be labeled with zack marker strip and KLM terminal strip markers
- ✓ Compact design with 5.2 mm pitch
- ✓ Parking option for bridges and plugs
- ✓ The 3 x 10 mm rail can be mounted in the supports vertically, horizontally, and at a 45° angle for optimum conductor placement
- ✓ For user-friendly shield connection, especially for single and multi-level terminal blocks and devices with a front connection



### Key Commercial Data

Packing unit	10 pc
GTIN	 4 046356 591867
GTIN	4046356591867

### Technical data

#### Dimensions

Length (b)	155.8 mm
Width (a)	5.2 mm

#### General

Color	gray
Flammability rating according to UL 94	V0
Material	PA
Insulating material	PA

#### Standards and Regulations

Flammability rating according to UL 94	V0
--	----

# Support bracket - AB-SK-D TOP - 3062100

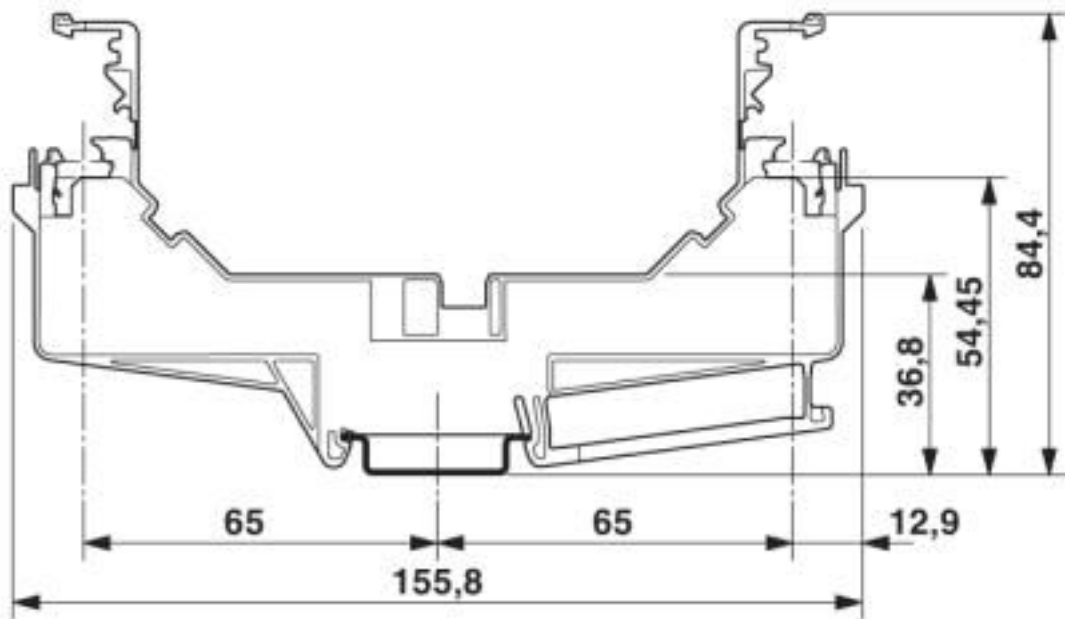
## Technical data

### Environmental Product Compliance

China RoHS	Environmentally friendly use period: unlimited = EFUP-e
	No hazardous substances above threshold values

## Drawings

Dimensional drawing



## Classifications

### eCl@ss

eCl@ss 10.0.1	27400607
eCl@ss 4.0	23150300
eCl@ss 4.1	23150300
eCl@ss 5.0	27141100
eCl@ss 5.1	27141100
eCl@ss 6.0	27409200
eCl@ss 7.0	27409221
eCl@ss 8.0	27409221
eCl@ss 9.0	27400607

### ETIM

ETIM 2.0	EC000761
ETIM 3.0	EC000761
ETIM 4.0	EC002270
ETIM 5.0	EC002270

## Support bracket - AB-SK-D TOP - 3062100

### Classifications

#### ETIM

ETIM 6.0	EC001166
ETIM 7.0	EC001166

#### UNSPSC

UNSPSC 6.01	30212109
UNSPSC 7.0901	39121708
UNSPSC 11	39121708
UNSPSC 12.01	39121708
UNSPSC 13.2	39121708
UNSPSC 18.0	39121708
UNSPSC 19.0	39121708
UNSPSC 20.0	39121708
UNSPSC 21.0	39121708

Phoenix Contact 2020 © - all rights reserved  
<http://www.phoenixcontact.com>

PHOENIX CONTACT GmbH & Co. KG  
Flachsmarktstr. 8  
32825 Blomberg  
Germany  
Tel. +49 5235 300  
Fax +49 5235 3 41200  
<http://www.phoenixcontact.com>

# Mouser Electronics

Authorized Distributor

Click to View Pricing, Inventory, Delivery & Lifecycle Information:

[Phoenix Contact:](#)

[3062100](#)