

# Hybrid motor starter - ELR H3-IES-PT-SWD/500AC-06 - 2903936


Please be informed that the data shown in this PDF Document is generated from our Online Catalog. Please find the complete data in the user's documentation. Our General Terms of Use for Downloads are valid (<http://phoenixcontact.com/download>)



Networkable hybrid motor starter for starting 3~ AC motors up to 500 V AC and 0.6 A output current, with adjustable overload shutdown, emergency stop function up to SIL 3/PL e, and Push-in connection. Connection to the SmartWire-DT system.



## Key Commercial Data

Packing unit	1 pc
GTIN	 4 046356 771900
GTIN	4046356771900

## Technical data

### Device supply

Rated control circuit supply voltage $U_s$	24 V DC
Control supply voltage range	19.2 V DC ... 30 V DC
Rated control supply current $I_s$	60 mA
Type of protection	Surge protection
	Reverse polarity protection

### Input data

Input name	Enable input
Rated actuating voltage $U_c$	24 V DC
Triggering voltage range	19.2 V DC ... 30 V DC
Rated actuating current $I_c$	7 mA
Switching threshold	9.6 V ("0" signal)
	19.2 V ("1" signal)
Switching level	< 5 V DC (For EMERGENCY STOP)
Typical turn-off time	< 30 ms

### Output data load output

Output name	AC output
-------------	-----------

# Hybrid motor starter - ELR H3-IES-PT-SWD/500AC-06 - 2903936

## Technical data

### Output data load output

Rated operating voltage $U_e$	500 V AC
Operating voltage range	42 V AC ... 550 V AC
Rated operating current $I_e$	0.6 A (AC-51)
	0.6 A (AC-53a)
Mains frequency	50/60 Hz
Load current range	75 mA ... 600 mA (see to derating)
Trigger characteristic in acc. with IEC 60947-4-2	Class 10
Cooling time	20 min. (for auto reset)
Leakage current	0 mA
Type of protection	Surge protection

### Overspeed tripping

Operate threshold	> 10 A
Response time	< 0.5 s

### General

Switching frequency	$\leq 2$ Hz (Load-dependent)
Mounting position	vertical (horizontal DIN rail, motor output below)
Mounting type	DIN rail mounting
Assembly instructions	alignable, for spacing see derating
Operating mode	100% operating factor
Maximum power dissipation	2.5 W
Minimum power dissipation	0.88 W
Operating voltage display	Green LED
Status display	Yellow LED
Indication	Red LED

### Connection data, input side

Connection name	Control circuits
Connection method	Push-in connection
Stripping length	10 mm
Conductor cross section solid	0.2 mm <sup>2</sup> ... 2.5 mm <sup>2</sup>
Conductor cross section flexible	0.2 mm <sup>2</sup> ... 2.5 mm <sup>2</sup>
Conductor cross section AWG	24 ... 14

### Connection data, output side

Connection name	Load circuit
Connection method	Push-in connection
Stripping length	10 mm
Conductor cross section solid	0.2 mm <sup>2</sup> ... 2.5 mm <sup>2</sup>
Conductor cross section flexible	0.2 mm <sup>2</sup> ... 2.5 mm <sup>2</sup>
Conductor cross section AWG	24 ... 14

# Hybrid motor starter - ELR H3-IES-PT-SWD/500AC-06 - 2903936

## Technical data

### Ambient conditions

Ambient temperature (operation)	-5 °C ... 55 °C (observe derating)
Ambient temperature (storage/transport)	-40 °C ... 80 °C

### Dimensions

Width	22.5 mm
Height	107.5 mm
Depth	114 mm

### Insulation characteristics

Rated insulation voltage	550 V
Rated surge voltage	6 kV
Overtoltage category	III
Degree of pollution	2
Designation	Insulation characteristics between the control input and control supply voltage, and auxiliary circuit to the main circuit
Insulation	Safe isolation (IEC 60947-1)
Designation	Isolation characteristics between the control input and control supply voltage to auxiliary circuit
Insulation	Safe isolation (IEC 60947-1) in the auxiliary circuit ≤ 300 V AC
	Safe isolation (EN 50178) in the auxiliary circuit ≤ 300 V AC

### Standards and Regulations

Designation	Standards/regulations
Standards/regulations	IEC 60947-1
	EN 60947-4-2
	IEC 61508
	ISO 13849

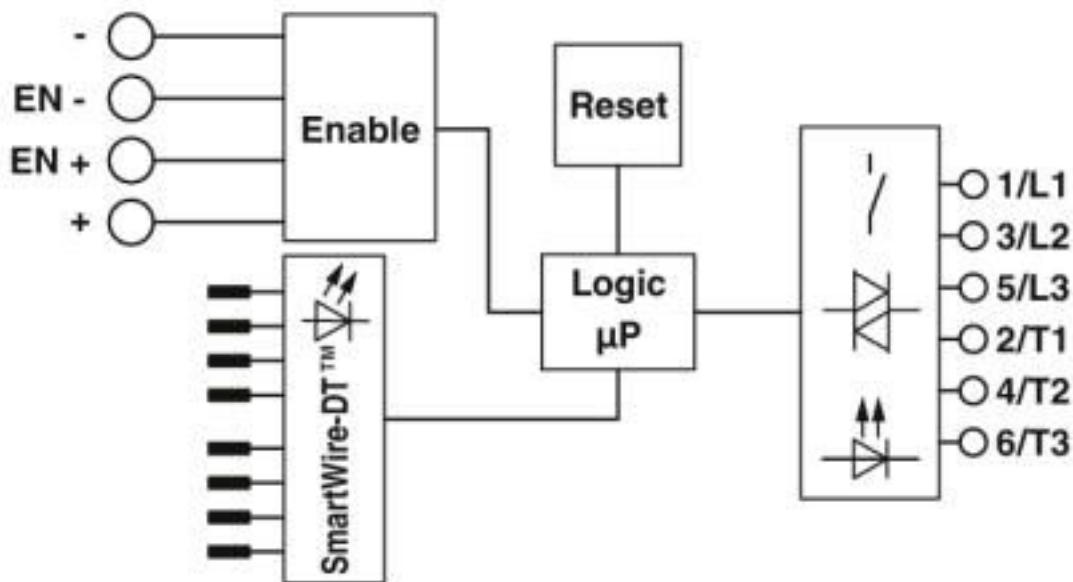
### Environmental Product Compliance

China RoHS	Environmentally Friendly Use Period = 50 years
	For details about hazardous substances go to tab "Downloads", Category "Manufacturer's declaration"

## Drawings

# Hybrid motor starter - ELR H3-IES-PT-SWD/500AC-06 - 2903936

Block diagram



## Classifications

### eCl@ss

eCl@ss 5.0	27024002
eCl@ss 5.1	27024000
eCl@ss 6.0	27024000
eCl@ss 7.0	27024002
eCl@ss 8.0	27024002
eCl@ss 9.0	27370905

### ETIM

ETIM 2.0	EC001037
ETIM 3.0	EC001037
ETIM 4.0	EC001037
ETIM 5.0	EC001037
ETIM 6.0	EC001037

### UNSPSC

UNSPSC 6.01	30211915
UNSPSC 7.0901	39121514
UNSPSC 11	39121514
UNSPSC 12.01	39121514
UNSPSC 13.2	25173902
UNSPSC 19.0	25173902

## Hybrid motor starter - ELR H3-IES-PT-SWD/500AC-06 - 2903936

### Accessories

#### Accessories

#### Adapter

Adapter - EM-CPS-DA-22,5F/16A - 1002668



Device adapter with fuse holder for 16 A fuse (10x38/Class CC), CrossLink® interface and fixed DIN rail

---

#### Assembly adapter

Power distribution board - EM-CPS-225 - 1002634



Modular power distribution board with CrossLink® interface, 125 A, 3-pos., touch-proof and protection against polarity reversal, width: 225 mm

---

Power distribution board - EM-CPS-405 - 1002635



Modular power distribution board with CrossLink® interface, 125 A, 3-pos., touch-proof and protection against polarity reversal, width: 405 mm

---

Connection module - EM-CPS-TB3/63A - 1002633



Connection module with integrated spring-loaded terminals for cables from 1.5 to 16 mm<sup>2</sup>, 3-pos., maximum 63 A

---

#### Assembly tool

Tool - SWD4-CRP-1 PXC - 2903110



SmartWire DT™ pliers for device plugs

---

# Hybrid motor starter - ELR H3-IES-PT-SWD/500AC-06 - 2903936

## Accessories

Tool - SWD4-CRP-2 PXC - 2903114



SmartWire DT™ pliers for flat plug

---

## Cover

Covering hood - BRIDGE COVER - 2906240



The BRIDGE COVER covering hood is used to cover unused plugs on the CONTACTRON bridge that may subsequently be used to extend the system. The hood can be used with the screw and Push-in version of the bridge.

---

## Data cable by the meter

Cable - SWD4-3LF8-24-2S PXC - 2903112



SmartWire DT™ 3 m flat-ribbon conductor, assembled with 2 flat plugs, 8-pos.

Cable - SWD4-100LF-8-24 PXC - 2903111



SmartWire DT™ 100 m flat-ribbon conductor, 8-pos.

---

## Device marking

Plastic label - US-EMLP (15X5) - 0828790



Plastic label, Card, white, unlabeled, can be labeled with: BLUEMARK ID COLOR, BLUEMARK ID, THERMOMARK PRIME, THERMOMARK CARD 2.0, THERMOMARK CARD, mounting type: adhesive, lettering field size: 15 x 5 mm, Number of individual labels: 189

# Hybrid motor starter - ELR H3-IES-PT-SWD/500AC-06 - 2903936

## Accessories

Plastic label - UC-EMLP (15X5) - 0819301



Plastic label, Sheet, white, unlabeled, can be labeled with: BLUEMARK ID COLOR, BLUEMARK ID, BLUEMARK CLED, PLOTMARK, CMS-P1-PLOTTER, mounting type: adhesive, lettering field size: 15 x 5 mm, Number of individual labels: 10

---

## Extension module

Input/output module - EU5E-SWD-4D4D PXC - 2903101



SmartWire DT™ digital module for connecting digital input/output signals, 4 inputs (24 V DC) and 4 outputs (24 V DC/0.5 A).

---

Input module - EU5E-SWD-4DX PXC - 2903102



SmartWire DT™ digital module for connecting digital input signals, 4 inputs (24 V DC, 3-wire connection).

---

Output module - EU5E-SWD-X8D PXC - 2903103



SmartWire DT™ digital module for connecting digital output signals, 8 outputs (24 V DC/0.5 A).

---

Input/output module - EU5E-SWD-2A2A PXC - 2903104



SmartWire DT™ analog module for connecting analog input/output signals, 2 inputs (0 - 10 V, 0 - 20 mA) and 2 outputs (0 - 10 V, 0 - 20 mA, can be configured individually).

---

## Gateways/Proxies

# Hybrid motor starter - ELR H3-IES-PT-SWD/500AC-06 - 2903936

## Accessories

Data interface - EU5C-SWD-CAN PXC - 2903098



SmartWire DT™ gateway for connecting to CANopen® as slave, automatic baud rate detection: 10 kbps to 1 Mbps, connection of up to 99 SmartWire DT™ devices.

---

Data interface - EU5C-SWD-EIP-MODTCP PXC - 2903244



SmartWire DT™ gateway for connecting to Ethernet IP or Modbus/TCP, address setting via DIP switches or DHCP, connection of up to 99 SmartWire DT™ devices.

---

## Loop bridge

Jumper - BRIDGE-PT 2 - 2904490



3-phase loop bridge for 2 CONTACTRON modules, with Push-in connection and 22.5 mm housing width, connecting cable: 3 m

---

Jumper - BRIDGE-PT 3 - 2904491



3-phase loop bridge for 3 CONTACTRON modules, with Push-in connection and 22.5 mm housing width, connecting cable: 3 m

---

Jumper - BRIDGE-PT 4 - 2904492



3-phase loop bridge for 4 CONTACTRON modules, with Push-in connection and 22.5 mm housing width, connecting cable: 3 m

---



## Hybrid motor starter - ELR H3-IES-PT-SWD/500AC-06 - 2903936

### Accessories

Jumper - BRIDGE-PT 5 - 2904493



3-phase loop bridge for 5 CONTACTRON modules, with Push-in connection and 22.5 mm housing width, connecting cable: 3 m

---

Jumper - BRIDGE-PT 6 - 2904494



3-phase loop bridge for 6 CONTACTRON modules, with Push-in connection and 22.5 mm housing width, connecting cable: 3 m

---

Jumper - BRIDGE-PT 7 - 2904495



3-phase loop bridge for 7 CONTACTRON modules, with Push-in connection and 22.5 mm housing width, connecting cable: 3 m

---

Jumper - BRIDGE-PT 8 - 2904496



3-phase loop bridge for 8 CONTACTRON modules, with Push-in connection and 22.5 mm housing width, connecting cable: 3 m

---

Jumper - BRIDGE-PT 9 - 2904497



3-phase loop bridge for 9 CONTACTRON modules, with Push-in connection and 22.5 mm housing width, connecting cable: 3 m

---

## Hybrid motor starter - ELR H3-IES-PT-SWD/500AC-06 - 2903936

### Accessories

Jumper - BRIDGE-PT 10 - 2904498



3-phase loop bridge for 10 CONTACTRON modules, with Push-in connection and 22.5 mm housing width, connecting cable: 3 m

---

### Mounting material

Plug - SWD4-RC8-10 PXC - 2903106



SmartWire DT™ bus termination plug

---

Plug - SWD4-8SF2-5 PXC - 2903107



SmartWire DT™ device plug, 8-pos.

---

Plug - SWD4-8MF2 PXC - 2903108



SmartWire DT™ flat plug, 8-pos.

---

Plug - SWD4-8SFF2-5 PXC - 2903109



SmartWire DT™ coupling for 8-pos. flat plug

---

### Power module

## Hybrid motor starter - ELR H3-IES-PT-SWD/500AC-06 - 2903936

### Accessories

Power supply unit - EU5C-SWD-PF2-1 PXC - 2903113



SmartWire DT™ power feed module for supplying further SmartWire DT™ devices.

---

Phoenix Contact 2020 © - all rights reserved  
<http://www.phoenixcontact.com>

PHOENIX CONTACT GmbH & Co. KG  
Flachsmarktstr. 8  
32825 Blomberg  
Germany  
Tel. +49 5235 300  
Fax +49 5235 3 41200  
<http://www.phoenixcontact.com>

# Mouser Electronics

Authorized Distributor

Click to View Pricing, Inventory, Delivery & Lifecycle Information:

[Phoenix Contact:](#)

[2903936](#)