

# Monitoring relay - EMD-BL-C-10-PT - 2903522

Please be informed that the data shown in this PDF Document is generated from our Online Catalog. Please find the complete data in the user's documentation. Our General Terms of Use for Downloads are valid (<http://phoenixcontact.com/download>)



Monitoring relay for monitoring single-phase currents of 0 ... 5 A AC or 0 ... 10 A AC, overcurrent/undercurrent or window, 1 PDT, with push-in connection

## Product Description

Safety and system availability requirements are constantly on the increase – across all industries. Processes are becoming more and more complex, not only in machine building and the chemical industry but also in building technology. The demands placed on energy technology are also constantly on the rise.

It is only by continuously monitoring key network and system parameters that error-free and therefore cost-effective operation can be achieved. Electronic monitoring relays from the EMD series are available for a wide range of monitoring tasks so that the consequences of errors can be avoided or kept within limits.

The operating states are signaled via color LEDs and any errors that occur can be sent to a controller via a floating contact or can shut down a section of the system. All device versions are equipped with response delays so that measured values outside the set monitoring range can be briefly tolerated.



## Key Commercial Data

Packing unit	1 pc
GTIN	
GTIN	4046356747264

## Technical data

### Dimensions

Width	17.5 mm
Height	88 mm
Depth	65.5 mm

### Ambient conditions

Ambient temperature (operation)	-25 °C ... 55 °C
Ambient temperature (storage/transport)	-25 °C ... 70 °C
Permissible humidity (operation)	15 % ... 85 %
Degree of protection	IP40 (Housing)
	IP20 (Connection terminal blocks)
Noise immunity	EN 61000-6-2

# Monitoring relay - EMD-BL-C-10-PT - 2903522

## Technical data

### Input data

Input current range	0 A ... 5 A
	0 A ... 10 A
	Configurable via rotary switches
Overload capacity	13 A AC
Maximum temperature coefficient	≤ 0.05 %
Function	Overcurrent, undercurrent, window
Min. setting range	5 % ... 95 % (from I <sub>N</sub> )
Max. setting range	10 % ... 100 % (from I <sub>N</sub> )
Setting range for response delay	0.1 s ... 10 s
Basic accuracy	≤ 5 % (of the nominal value)
Setting accuracy	± 5 % (of the nominal value)
Repeat accuracy	≤ 2 %
Recovery time	> 500 ms

### Contact side

Contact type	1 floating PDT
Maximum switching voltage	250 V AC (in acc. with IEC 60664-1)
Interrupting rating (ohmic load) max.	1250 VA (5 A / 250 V AC)
Output fuse	5 A (fast-blow)

### Power supply

Supply voltage	230 V AC ±15 %
Supply voltage range	195.5 V AC ... 264.5 V AC

### General

Mechanical service life	15x 10 <sup>6</sup> cycles
Operating mode	100% operating factor
Mounting position	any
Assembly instructions	on standard DIN rail NS 35 in accordance with EN 60715
Electromagnetic compatibility	Conformance with EMC Directive 2014/30/EU
Housing insulation material	Polyamide PA 6.6, self-extinguishing
Color	gray

### Connection data

Connection method	Push-in connection
Stripping length	8 mm
Conductor cross section solid	0.14 mm <sup>2</sup> ... 2.5 mm <sup>2</sup>
Conductor cross section flexible	0.14 mm <sup>2</sup> ... 2.5 mm <sup>2</sup>
Conductor cross section AWG	26 ... 14

### Standards and Regulations

Electromagnetic compatibility	Conformance with EMC Directive 2014/30/EU
Noise emission	EN 61000-6-3

# Monitoring relay - EMD-BL-C-10-PT - 2903522

## Technical data

### Standards and Regulations

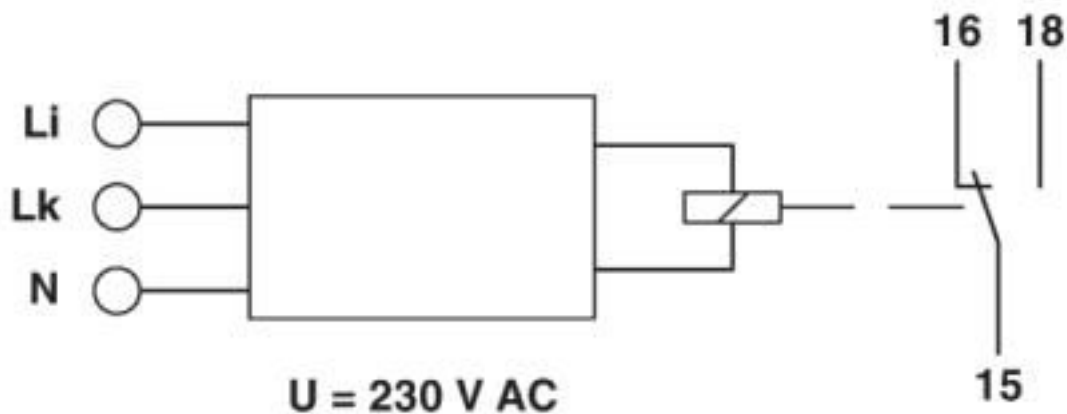
Noise immunity	EN 61000-6-2
Standards/regulations	DIN EN 60947-5-1
Rated insulation voltage	300 V (Supply circuit)
	250 V (Output circuit)
	300 V (Measuring circuit)
Rated surge voltage	4 kV
Insulation	Basic insulation
Pollution degree	2
Overvoltage category	III
Low Voltage Directive	Conformance with Low Voltage Directive 2006/95/EC (valid until 2016-04-19) / 2014/35/EU (valid from 2016-04-20)

### Environmental Product Compliance

China RoHS	Environmentally friendly use period: unlimited = EFUP-e
	No hazardous substances above threshold values

## Drawings

Block diagram



## Classifications

eCl@ss

eCl@ss 10.0.1	27371802
eCl@ss 4.0	27371100
eCl@ss 4.1	27371100
eCl@ss 5.0	27371800
eCl@ss 5.1	27371800
eCl@ss 6.0	27371800
eCl@ss 7.0	27371802
eCl@ss 8.0	27371802

# Monitoring relay - EMD-BL-C-10-PT - 2903522

## Classifications

### eCl@ss

eCl@ss 9.0	27371802
------------	----------

### ETIM

ETIM 2.0	EC001440
ETIM 3.0	EC001440
ETIM 4.0	EC001440
ETIM 5.0	EC001440
ETIM 6.0	EC001440
ETIM 7.0	EC001440

### UNSPSC

UNSPSC 6.01	30211916
UNSPSC 7.0901	39121535
UNSPSC 11	39121535
UNSPSC 12.01	39121535
UNSPSC 13.2	41113620
UNSPSC 18.0	41113637
UNSPSC 19.0	41113637
UNSPSC 20.0	41113637
UNSPSC 21.0	41113637

## Approvals


### Approvals


#### Approvals

UL Listed / cUL Listed / EAC / EAC / cULus Listed

#### Ex Approvals

### Approval details


UL Listed		<a href="http://database.ul.com/cgi-bin/XYV/template/LISEXT/1FRAME/index.htm">http://database.ul.com/cgi-bin/XYV/template/LISEXT/1FRAME/index.htm</a>	FILE E 172140
-----------	---	---	---------------

cUL Listed		<a href="http://database.ul.com/cgi-bin/XYV/template/LISEXT/1FRAME/index.htm">http://database.ul.com/cgi-bin/XYV/template/LISEXT/1FRAME/index.htm</a>	FILE E 172140
------------	---	---	---------------

## Monitoring relay - EMD-BL-C-10-PT - 2903522

### Approvals

EAC		TR_TS_D_00573_c
-----	---	-----------------

EAC		RU*C- DE.*08.B.00010
-----	---	-------------------------

cULus Listed		
--------------	---	--

Phoenix Contact 2020 © - all rights reserved  
<http://www.phoenixcontact.com>

PHOENIX CONTACT GmbH & Co. KG  
Flachsmarktstr. 8  
32825 Blomberg  
Germany  
Tel. +49 5235 300  
Fax +49 5235 3 41200  
<http://www.phoenixcontact.com>

# Mouser Electronics

Authorized Distributor

Click to View Pricing, Inventory, Delivery & Lifecycle Information:

[Phoenix Contact:](#)

[2903522](#)