

# Inline terminal - IB IL 24/230 DOR4/W-PC-PAC - 2862181

Please be informed that the data shown in this PDF Document is generated from our Online Catalog. Please find the complete data in the user's documentation. Our General Terms of Use for Downloads are valid (<http://phoenixcontact.com/download>)



Inline, Relay terminal, Relay outputs: , 4 (floating contacts), 24 V DC, 230 V AC, for switching inductive and capacitive loads, transmission speed in the local bus: 500 kbps, degree of protection: IP20, including Inline connectors and marking fields

## Product Description

The terminal is designed for use within an Inline station. It has four floating SPDT relay contacts, which are independent of one another.


## Your advantages

- Safe isolation
- Nominal current at the output: 3 A
- Total current of the terminal: 3 A
- Diagnostic and status indicators



- MUXE

## Key Commercial Data

|              |   |
|--------------|---|
| Packing unit | 1 pc  |
| GTIN         | <br>4 017918 894672 |
| GTIN         | 4017918894672   |

## Technical data

### Note

|                         |   |
|-------------------------|---|
| Utilization restriction | EMC: class A product, see manufacturer's declaration in the download area |
|-------------------------|---|

### Dimensions

|                    |                    |
|--------------------|--------------------|
| Width              | 48.8 mm            |
| Height             | 119.8 mm           |
| Depth              | 71.5 mm            |
| Note on dimensions | Housing dimensions |

### Ambient conditions

|                                 |                  |
|---------------------------------|------------------|
| Ambient temperature (operation) | -25 °C ... 55 °C |
|---------------------------------|------------------|

# Inline terminal - IB IL 24/230 DOR4/W-PC-PAC - 2862181

## Technical data

### Ambient conditions

|  |   |
|--|---|
| Ambient temperature (storage/transport)  | -25 °C ... 85 °C  |
| Permissible humidity (operation)         | 75 % ... 85 % (in the range of -25°C ... +55°C, appropriate measures against increased humidity (> 85%) must be taken.) |
| Permissible humidity (storage/transport) | 75 % ... 85 % (slight temporary condensation may sometimes appear on the housing)                                       |
| Air pressure (operation)                 | 70 kPa ... 106 kPa (up to 3000 m above sea level)   |
| Air pressure (storage/transport)         | 70 kPa ... 106 kPa (up to 3000 m above sea level)   |
| Degree of protection                     | IP20  |

### General

|                               |              |
|-------------------------------|--------------|
| Mounting type                 | DIN rail     |
| Color                         | gray         |
| Net weight                    | 138 g        |
| Note on weight specifications | without plug |

### Interfaces

|                    |                      |
|--------------------|----------------------|
| Designation        | Inline local bus     |
| No. of channels    | 2                    |
| Connection method  | Via data marshalling |
| Transmission speed | 500 kbps             |

### Inline potentials

|                     |  |
|---------------------|--|
| Designation         | Communications power (U <sub>L</sub> ) |
| Supply voltage      | 7.5 V DC (via voltage jumper)          |
| Current consumption | max. 187 mA                            |

### Relay outputs

|                          |                        |
|--------------------------|------------------------|
| Output name              | Relay outputs          |
| Output description       | SPDT relay contact     |
| Design of digital output | Relay                  |
| Number of outputs        | 4 (floating contacts)  |
| Connection method        | Spring-cage connection |
| Output current           | max. 3 A (per channel) |
|                          | max. 12 A (per module) |
| Nominal output voltage   | 24 V DC                |
|                          | 230 V AC               |
| Output voltage range     | 5 V AC ... 253 V AC    |
| Switching voltage        | min. 5 V DC            |
|                          | max. 250 V DC          |

### Electrical isolation

|              |  |
|--------------|--|
| Test section | Relay contact / Bus logics 4 kV 50 Hz 1 min. |
|              | Contact/contact 1 kV 50 Hz 1 min.            |
|              | Contact / PE 1 kV 50 Hz 1 min.               |

# Inline terminal - IB IL 24/230 DOR4/W-PC-PAC - 2862181

## Technical data

### Standards and Regulations

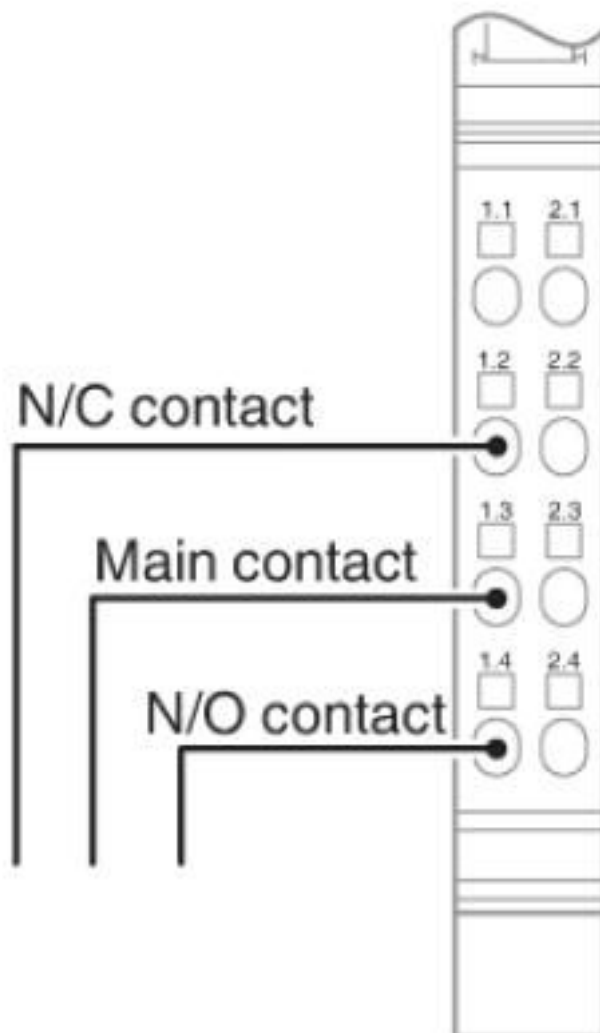
|                                  |                                     |
|----------------------------------|-------------------------------------|
| Connection in acc. with standard | CUL                                 |
| Protection class                 | I (MЭК 61140, EN 61140, VDE 0140-1) |

### Environmental Product Compliance

|            |   |
|------------|---|
| China RoHS | Environmentally Friendly Use Period = 50 years  |
|            | For details about hazardous substances go to tab "Downloads", Category "Manufacturer's declaration" |

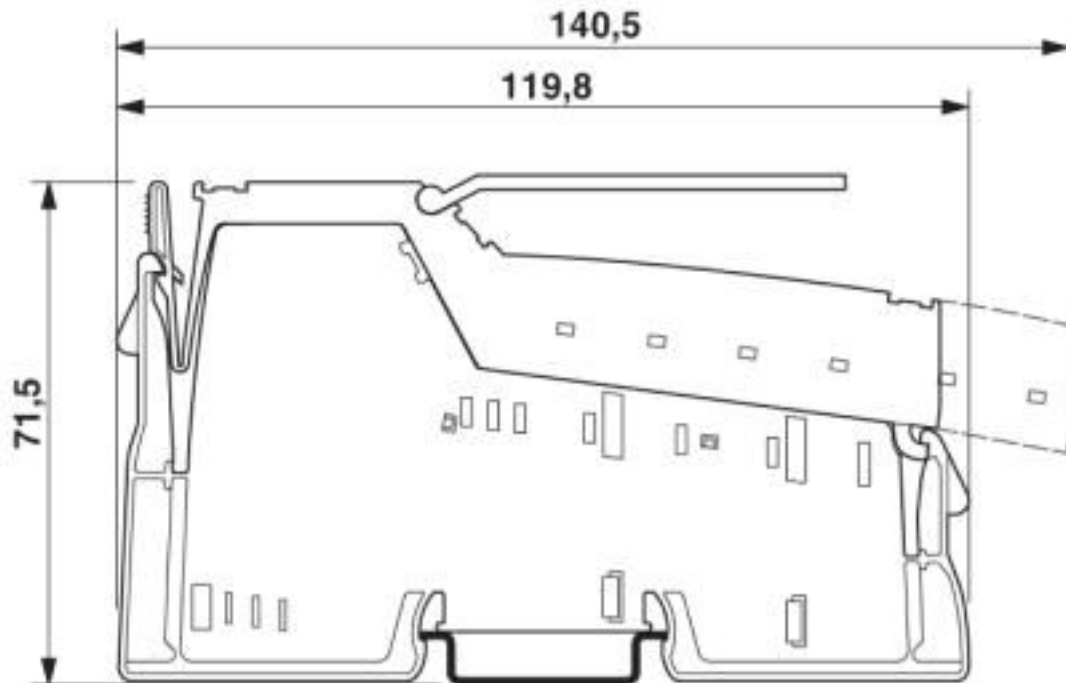
## Drawings

Connection diagram



# Inline terminal - IB IL 24/230 DOR4/W-PC-PAC - 2862181

Dimensional drawing



## Classifications

### eCl@ss

|               |          |
|---------------|----------|
| eCl@ss 10.0.1 | 27242604 |
| eCl@ss 4.0    | 27250300 |
| eCl@ss 4.1    | 27250300 |
| eCl@ss 5.0    | 27250300 |
| eCl@ss 5.1    | 27242600 |
| eCl@ss 6.0    | 27242600 |
| eCl@ss 7.0    | 27242604 |
| eCl@ss 8.0    | 27242604 |
| eCl@ss 9.0    | 27242604 |

### ETIM

|          |          |
|----------|----------|
| ETIM 2.0 | EC001430 |
| ETIM 3.0 | EC001599 |
| ETIM 4.0 | EC001599 |
| ETIM 5.0 | EC001599 |
| ETIM 6.0 | EC001599 |
| ETIM 7.0 | EC001599 |

### UNSPSC

|               |          |
|---------------|----------|
| UNSPSC 6.01   | 43172015 |
| UNSPSC 7.0901 | 43201404 |

# Inline terminal - IB IL 24/230 DOR4/W-PC-PAC - 2862181

## Classifications

### UNSPSC

|              |          |
|--------------|----------|
| UNSPSC 11    | 43172015 |
| UNSPSC 12.01 | 43201404 |
| UNSPSC 13.2  | 32151602 |
| UNSPSC 18.0  | 32151602 |
| UNSPSC 19.0  | 32151602 |
| UNSPSC 20.0  | 32151602 |
| UNSPSC 21.0  | 32151602 |

## Approvals

### Approvals

#### Approvals

UL Recognized / cUL Recognized / EAC / cULus Recognized

#### Ex Approvals

### Approval details

|               |  |   |               |
|---------------|--|---|---------------|
| UL Recognized |  | <a href="http://database.ul.com/cgi-bin/XYV/template/LISEXT/1FRAME/index.htm">http://database.ul.com/cgi-bin/XYV/template/LISEXT/1FRAME/index.htm</a> | FILE E 140324 |
|---------------|--|---|---------------|

|                |  |   |               |
|----------------|--|---|---------------|
| cUL Recognized |  | <a href="http://database.ul.com/cgi-bin/XYV/template/LISEXT/1FRAME/index.htm">http://database.ul.com/cgi-bin/XYV/template/LISEXT/1FRAME/index.htm</a> | FILE E 140324 |
|----------------|--|---|---------------|

|     |  |               |
|-----|--|---------------|
| EAC |  | EAC-Zulassung |
|-----|--|---------------|

|                  |  |
|------------------|--|
| cULus Recognized |  |
|------------------|--|

## Accessories

### Accessories

Connector set

## Inline terminal - IB IL 24/230 DOR4/W-PC-PAC - 2862181

### Accessories

Connector set - IB IL DOR LV-PLSET - 2742667



Connector set for distance terminal

---

### Distance terminal

Inline terminal - IB IL DOR LV-SET - 2742641



Inline distance terminal, without accessories

---

Inline terminal - IB IL DOR LV-SET-PAC - 2861645



Inline distance terminal, complete with accessories

---

Inline terminal - IB IL DOR LV-SET - 2742641



Inline distance terminal, without accessories

---

### Labeling panel

Labeling field - IB IL FIELD 2 - 2727501

Labeling field, width: 12.2 mm



## Inline terminal - IB IL 24/230 DOR4/W-PC-PAC - 2862181

### Accessories

Labeling field - IB IL FIELD 8 - 2727515

Labeling field, width: 48.8 mm



---

### Plug

Inline connector - IB IL SCN-8-AC-REL - 2740290



Plug, for digital 1, 2 or 8-channel Inline terminals with AC voltage

---

### Terminal marking

Insert strip - ESL 62X10 - 0809492



Insert strip, Sheet, white, unlabeled, can be labeled with: Office printing systems: Laser printer, mounting type: insert, lettering field size: 62 x 10 mm, Number of individual labels: 72

Insert strip - ESL 62X46 - 0809502



Insert strip, Sheet, white, unlabeled, can be labeled with: Office printing systems: Laser printer, mounting type: insert, lettering field size: 62 x 46 mm, Number of individual labels: 120

---

Phoenix Contact 2020 © - all rights reserved  
<http://www.phoenixcontact.com>

PHOENIX CONTACT GmbH & Co. KG  
Flachsmarktstr. 8  
32825 Blomberg  
Germany  
Tel. +49 5235 300  
Fax +49 5235 3 41200  
<http://www.phoenixcontact.com>

# Mouser Electronics

Authorized Distributor

Click to View Pricing, Inventory, Delivery & Lifecycle Information:

[Phoenix Contact:](#)

[2862181](#)