

# Antenna cable - RAD-PIG-EF316-N-RSMA - 2701402

Please be informed that the data shown in this PDF Document is generated from our Online Catalog. Please find the complete data in the user's documentation. Our General Terms of Use for Downloads are valid (<http://phoenixcontact.com/download>)

Antenna cable for control cabinet feed-through, outside diameter: 3.2 mm (0.126 in.), inner conductor: stranded, attenuation: 0.6 / 0.9 / 1.4 dB at 0.9 / 2.4 / 5.8 GHz, connection: N (female) -> RSMA (male), cable length: 0.5 m (1.6 ft.)




## Your advantages

- For outdoor installation
- UV resistant
- Oil-resistant
- Halogen-free
- Flame-retardant



## Key Commercial Data

Packing unit	1 pc
GTIN	 4 046356 746816
GTIN	4046356746816

## Technical data

### Dimensions

Fixed cable length	50 cm
External diameter	2.50 mm
Hole diameter	16.1 mm

### Ambient conditions

Ambient temperature (operation)	-40 °C ... 105 °C
Ambient temperature (storage/transport)	-40 °C ... 70 °C

### General

Connection 1	Connector connection
Connection method	RSMA (male)
Connection 2	Connector connection
Connection method	N (female)

## Antenna cable - RAD-PIG-EF316-N-RSMA - 2701402

### Technical data

#### General

Cable type	EF 316
Outer sheath, material	RADOX®(LSFH)
External sheath, color	blue
Minimum bending radius	12.50 mm
Frequency range	0.3 GHz ... 6 GHz
Impedance	50 Ω

#### Attenuation

868 / 900 MHz	0.6 dB
2.4 GHz	1 dB
5 GHz	1.4 dB

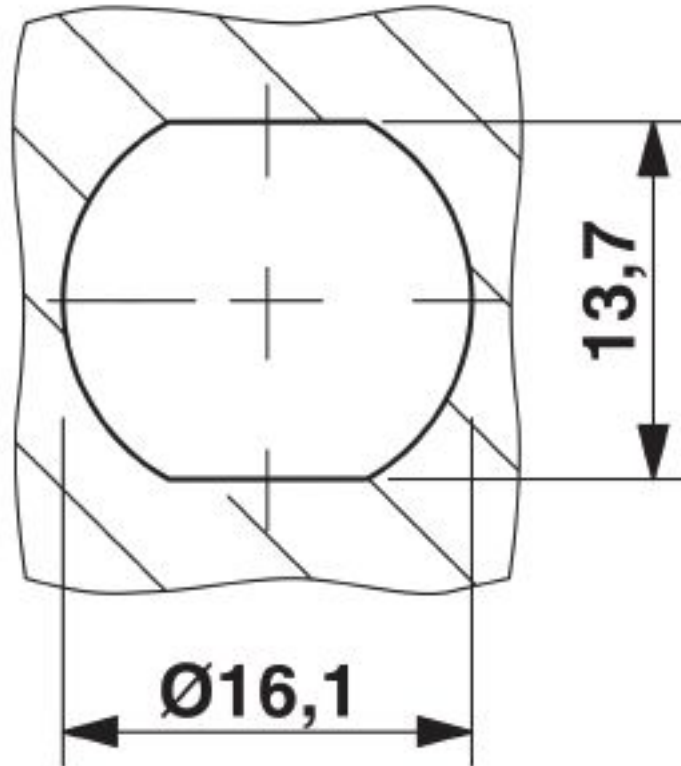
#### Environmental Product Compliance

REACH SVHC	Lead 7439-92-1
China RoHS	Environmentally Friendly Use Period = 25;
	For details about hazardous substances go to tab "Downloads", Category "Manufacturer's declaration"

#### Drawings

# Antenna cable - RAD-PIG-EF316-N-RSMA - 2701402

Dimensional drawing



Drill holes

## Classifications

eCl@ss

eCl@ss 10.0.1	27060310
eCl@ss 4.0	27060800
eCl@ss 4.1	27060800
eCl@ss 5.0	27061800
eCl@ss 5.1	27061800
eCl@ss 6.0	27061800
eCl@ss 7.0	27061802
eCl@ss 8.0	27060310
eCl@ss 9.0	27060310

# Antenna cable - RAD-PIG-EF316-N-RSMA - 2701402

## Classifications

### ETIM

ETIM 4.0	EC000019
ETIM 5.0	EC001682
ETIM 6.0	EC001682
ETIM 7.0	EC001682

### UNSPSC

UNSPSC 6.01	26121608
UNSPSC 7.0901	26121608
UNSPSC 11	26121608
UNSPSC 12.01	26121608
UNSPSC 13.2	26121608
UNSPSC 18.0	26121606
UNSPSC 19.0	26121606
UNSPSC 20.0	26121606
UNSPSC 21.0	26121606

## Approvals

### Approvals

---

Approvals

EAC / EAC

---

Ex Approvals

---

### Approval details

EAC		EAC-Zulassung
-----	--	---------------

EAC		RU C- DE.A*30.B00767
-----	--	-------------------------

---

Phoenix Contact 2020 © - all rights reserved  
<http://www.phoenixcontact.com>

PHOENIX CONTACT GmbH & Co. KG  
Flachmarktstr. 8  
32825 Blomberg  
Germany  
Tel. +49 5235 300  
Fax +49 5235 3 41200  
<http://www.phoenixcontact.com>

# Mouser Electronics

Authorized Distributor

Click to View Pricing, Inventory, Delivery & Lifecycle Information:

[Phoenix Contact:](#)

[2701402](#)