

Capacity module - QUINT4-CAP/24DC/5/4KJ - 2320539

Please be informed that the data shown in this PDF Document is generated from our Online Catalog. Please find the complete data in the user's documentation. Our General Terms of Use for Downloads are valid (<http://phoenixcontact.com/download>)



QUINT capacity module with maintenance-free double-layer capacitor-based energy storage for DIN rail mounting, input: 24 V DC, output: 24 V DC/5 A/4 KJ including mounted UTA 107 universal DIN rail adapter.

Product Description

The maintenance-free QUINT CAP capacity module is ideal for cyclical failures lasting up to 30 seconds. It combines an electronic switch-over unit and maintenance-free, capacitor-based energy storage in the same housing. The USB interface makes it convenient to shut down your PC.

Your advantages

- Convenient shutdown of PCs
- Maintenance-free with a long service life
- Space savings, thanks to the compact design
- Long buffer time, thanks to high memory capacity
- Lockable USB interface for connecting to industrial PCs, for example



Key Commercial Data

Packing unit	1 pc
GTIN	
GTIN	4055626246918

Technical data

Dimensions

Width	94 mm
Height	130 mm
Depth	125 mm
Installation distance right/left	0 mm / 0 mm
Installation distance top/bottom	50 mm / 50 mm

Ambient conditions

Degree of protection	IP20
Ambient temperature (operation)	-25 °C ... 60 °C (> 40 °C Derating: 1 %/K)

Capacity module - QUINT4-CAP/24DC/5/4KJ - 2320539

Technical data

Ambient conditions

Ambient temperature (start-up type tested)	-40 °C
Ambient temperature (storage/transport)	-40 °C ... 60 °C
Max. permissible relative humidity (operation)	≤ 95 %
Climatic class	3K3 (in acc. with EN 60721)
Degree of pollution	2
Installation height	≤ 4000 m

Input data

Input voltage	24 V DC (SELV)
Input voltage range	22.5 V DC ... 30 V DC
Current consumption (maximum)	7 A (max.)
Current consumption (idle)	0.1 A (No-load)
Current consumption (charging process)	0.8 A (charging process)
Fixed backup threshold	< 22 V DC

Output data

Nominal output voltage	24 V DC
Nominal output current (I _N)	5 A
Static Boost (I _{Stat.Boost})	6.25 A
Connection in parallel	no
Connection in series	No
Power loss nominal load max.	< 3 W

General

IQ technology	no
Net weight	1.3 kg
Memory medium	Dual layer capacitor
Efficiency	> 97 % (with charged energy storage device)
MTBF (IEC 61709, SN 29500)	1301923 h (40 °C)
Degree of protection	IP20
Protection class	Special application (SELV input voltage, hazardous voltages are generated in the device).
Mounting position	horizontal DIN rail NS 35, EN 60715
Assembly instructions	alignable: horizontally 0 mm, vertically 50 mm

Connection data, input

Connection method	Screw connection
Conductor cross section solid min.	0.2 mm ²
Conductor cross section solid max.	2.5 mm ²
Conductor cross section flexible min.	0.2 mm ²
Conductor cross section flexible max.	2.5 mm ²
Conductor cross section AWG min.	30
Conductor cross section AWG max.	12

Capacity module - QUINT4-CAP/24DC/5/4KJ - 2320539

Technical data

Connection data, input

Stripping length	6.5 mm
------------------	--------

Connection data, output

Connection method	Screw connection
Conductor cross section solid min.	0.2 mm ²
Conductor cross section solid max.	2.5 mm ²
Conductor cross section flexible min.	0.2 mm ²
Conductor cross section flexible max.	2.5 mm ²
Conductor cross section AWG min.	30
Conductor cross section AWG max.	12
Stripping length	6.5 mm

Signaling

Signalization designation	U _{in} OK
Output name	Electronic relay (photorelay)
Output description	floating 13/14
Maximum switching voltage	30 V DC
Continuous load current	200 mA
Status display	LED
Conductor cross section solid min.	0.2 mm ²
Conductor cross section solid max.	0.75 mm ²
Conductor cross section flexible min.	0.2 mm ²
Conductor cross section flexible max.	1.5 mm ²
Conductor cross section AWG min.	24
Conductor cross section AWG max.	18
Signalization designation	Ready
Output name	Transistor output, active
Output voltage	24 V (U _N - 1 V (typical))
Continuous load current	20 mA
Status display	LED
Signalization designation	Alarm
Output name	Transistor output, active
Output voltage	24 V (U _N - 1 V (typical))
Continuous load current	20 mA
Status display	LED
Signalization designation	Reference potential for Ready, alarm and remote

Standards

EMC requirements for noise immunity	EN 61000-6-1
	EN 61000-6-2
EMC requirements for noise emission	EN 61000-6-3
	EN 61000-6-4

Capacity module - QUINT4-CAP/24DC/5/4KJ - 2320539

Technical data

Standards

Standard - Electrical safety	IEC 60950-1/VDE 0805 (SELV)
------------------------------	-----------------------------

Conformance/approvals

UL approvals	UL Listed UL 508
	UL/C-UL Recognized UL 60950-1

EMC data

Electromagnetic compatibility	Conformance with EMC Directive 2014/30/EU
Low Voltage Directive	Conformance with Low Voltage Directive 2014/35/EC
Noise emission	EN 55016
	EN 61000-6-3
Electrostatic discharge	EN 61000-4-2
Contact discharge	6 kV (Test Level 3)
Discharge in air	8 kV (Test Level 3)
Electromagnetic HF field	EN 61000-4-3
Frequency range	80 MHz ... 6 GHz
Test field strength	10 V/m
Comments	Criterion A
Conducted interference	EN 61000-4-6
Frequency range	0.15 MHz ... 80 MHz
Voltage	10 V
Comments	Criterion A
Criterion A	Normal operating behavior within the specified limits.
Criterion B	Temporary impairment to operational behavior that is corrected by the device itself.

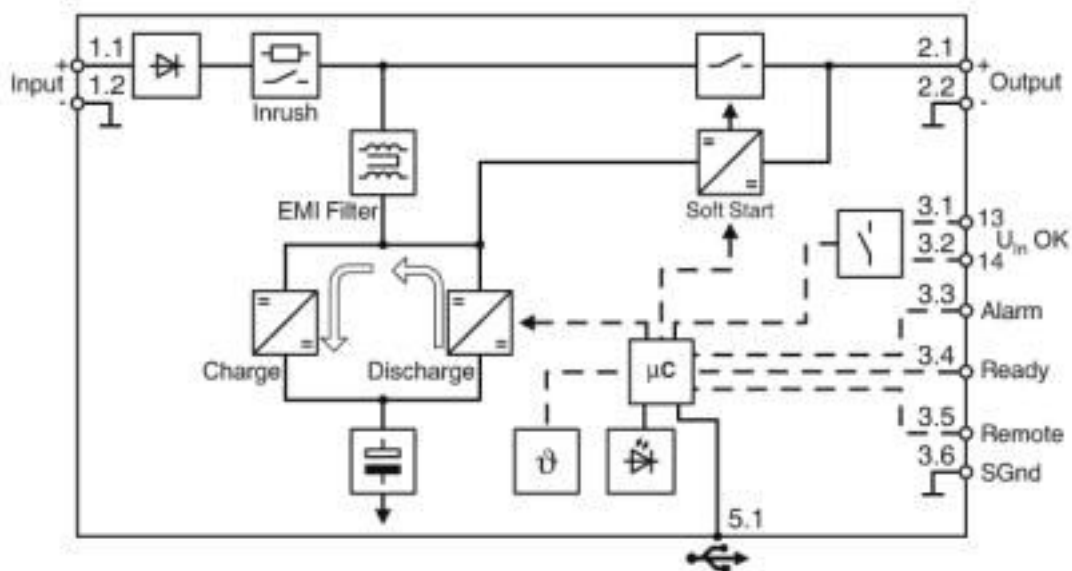
Environmental Product Compliance

REACH SVHC	Lead 7439-92-1
China RoHS	Environmentally Friendly Use Period = 25;
	For details about hazardous substances go to tab "Downloads", Category "Manufacturer's declaration"

Drawings

Capacity module - QUINT4-CAP/24DC/5/4KJ - 2320539

Block diagram



Classifications

eCl@ss

eCl@ss 5.0	27242700
eCl@ss 5.1	27242700
eCl@ss 6.0	27040600
eCl@ss 7.0	27040603
eCl@ss 8.0	27049201
eCl@ss 9.0	27049201

ETIM

ETIM 5.0	EC000382
ETIM 6.0	EC002850
ETIM 7.0	EC002850

UNSPSC

UNSPSC 13.2	39121004
UNSPSC 18.0	26111710
UNSPSC 19.0	26111710
UNSPSC 20.0	26111710
UNSPSC 21.0	26111710

Approvals

Approvals

Capacity module - QUINT4-CAP/24DC/5/4KJ - 2320539

Approvals

Approvals

UL Listed / UL Recognized / cUL Recognized / cUL Listed / EAC / cULus Recognized / cULus Listed

Ex Approvals

UL Listed / cUL Listed / cULus Listed

Approval details

UL Listed		http://database.ul.com/cgi-bin/XYV/template/LISEXT/1FRAME/index.htm	FILE E 123528
-----------	--	-------------------------------------------------------------------------------------------------------------------------------------------------------	---------------

UL Recognized		http://database.ul.com/cgi-bin/XYV/template/LISEXT/1FRAME/index.htm	FILE E 211944
---------------	--	-------------------------------------------------------------------------------------------------------------------------------------------------------	---------------

cUL Recognized		http://database.ul.com/cgi-bin/XYV/template/LISEXT/1FRAME/index.htm	FILE E 211944
----------------	--	-------------------------------------------------------------------------------------------------------------------------------------------------------	---------------

cUL Listed		http://database.ul.com/cgi-bin/XYV/template/LISEXT/1FRAME/index.htm	FILE E 123528
------------	--	-------------------------------------------------------------------------------------------------------------------------------------------------------	---------------

EAC			RU*DE*08.B.01873/19
-----	--	--	---------------------

cULus Recognized			
------------------	--	--	--

cULus Listed			
--------------	--	--	--

Accessories

Accessories

Assembly adapter

Capacity module - QUINT4-CAP/24DC/5/4KJ - 2320539

Accessories

Assembly adapters - UWA 130 - 2901664



2-piece universal wall adapter for securely mounting the device in the event of strong vibrations. The profiles that are screwed onto the side of the device are screwed directly onto the mounting surface. The universal wall adapter is attached on the left/right.

Assembly adapters - UWA 182/52 - 2938235



Universal wall adapter for securely mounting the device in the event of strong vibrations. The device is screwed directly onto the mounting surface. The universal wall adapter is attached on the top/bottom.

Data cable preassembled

Data cable - MINI-SCREW-USB-DATACABLE - 2908217



Used for communication between an industrial PC and Phoenix Contact devices with USB-Mini-B connection.

Phoenix Contact 2020 © - all rights reserved
<http://www.phoenixcontact.com>

PHOENIX CONTACT GmbH & Co. KG
Flachsmarktstr. 8
32825 Blomberg
Germany
Tel. +49 5235 300
Fax +49 5235 3 41200
<http://www.phoenixcontact.com>

Mouser Electronics

Authorized Distributor

Click to View Pricing, Inventory, Delivery & Lifecycle Information:

[Phoenix Contact:](#)

[2320539](#)