

Solid-state reversing contactor - ELR W3-230AC/500AC-16 - 2297345

Please be informed that the data shown in this PDF Document is generated from our Online Catalog. Please find the complete data in the user's documentation. Our General Terms of Use for Downloads are valid (<http://phoenixcontact.com/download>)




Three-phase solid-state reversing contactor with 230 V AC input, 16 A output current, zero voltage switch, optionally with thermal fuse

Your advantages

- ✓ Optional thermal fuse
- ✓ Stable and short switching times
- ✓ Noise and wear-free switching
- ✓ Long service life
- ✓ Integrated protection circuit
- ✓ High switching frequency
- ✓ Integrated locking and load wiring



Key Commercial Data

Packing unit	1 pc
GTIN	 4 046356 175708
GTIN	4046356175708

Technical data

Input data

Input name	Control input right/left
Mains frequency	50 Hz 60 Hz
Rated actuating voltage U_c	230 V AC
Triggering voltage range	92 V AC ... 253 V AC
Voltage range with reference to U_c	0.4 ... 1.1
Rated actuating current I_c	11.2 mA
Switching threshold	48 V AC ("0" signal) 96 V AC ("1" signal)

Solid-state reversing contactor - ELR W3-230AC/500AC-16 - 2297345

Technical data

Input data

Protective circuit	Surge protection Varistor
Status display	Yellow LED
Indication	Red LED

Output data load output

Output name	AC output
Rated operating voltage U_e	500 V AC
Operating voltage range	48 V AC ... 575 V AC
Load current range	100 mA ... 16 A (see to derating)
Rated operating current at AC-51	16 A
Rated operating current at AC-53a	12 A
Leakage current	6 mA
Residual voltage	< 1.5 V
Surge current	300 A (t = 10 ms)
Type of protection	RCV circuit

Connection data, control circuit

Connection name	Control circuits
Connection method	Screw connection
Stripping length	8 mm
Screw thread	M3
Conductor cross section solid	0.2 mm ² ... 4 mm ²
Conductor cross section flexible	0.2 mm ² ... 2.5 mm ²
Conductor cross section AWG	24 ... 12

Connection data load circuit

Connection name	Load circuit
Connection method	Screw connection
Stripping length	8 mm
Screw thread	M4
Conductor cross section solid	0.5 mm ² ... 16 mm ²
Conductor cross section flexible	0.5 mm ² ... 16 mm ²
Conductor cross section AWG	20 ... 6

General

Test voltage input/output	5 kV _{rms}
Switching frequency	max. 1 Hz
Mounting position	Vertical (horizontal DIN rail)
Assembly instructions	Can be aligned with spacing = 40 mm
Operating mode	100% operating factor
Reversing frequency	≤ 2 Hz

Dimensions

Solid-state reversing contactor - ELR W3-230AC/500AC-16 - 2297345

Technical data

Dimensions

Width	147.5 mm
Height	99 mm
Depth	114.5 mm

Ambient conditions

Ambient temperature (operation)	-25 °C ... 70 °C
Ambient temperature (storage/transport)	-25 °C ... 70 °C

Standards and Regulations

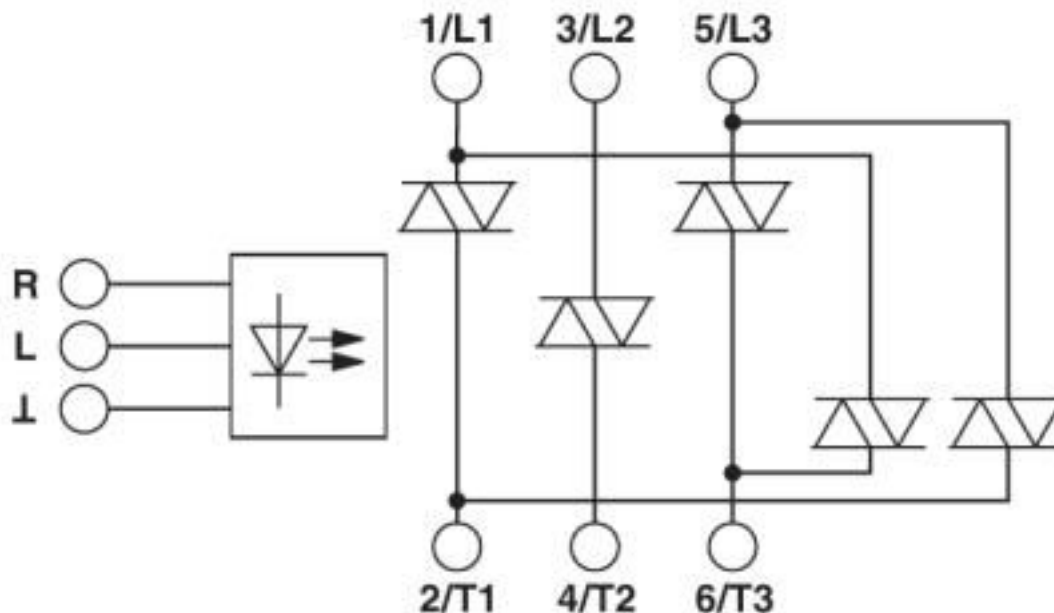
Designation	Standards/regulations
Standards/regulations	DIN EN 50178
	EN 60947

Environmental Product Compliance

China RoHS	Environmentally Friendly Use Period = 50 years
	For details about hazardous substances go to tab "Downloads", Category "Manufacturer's declaration"

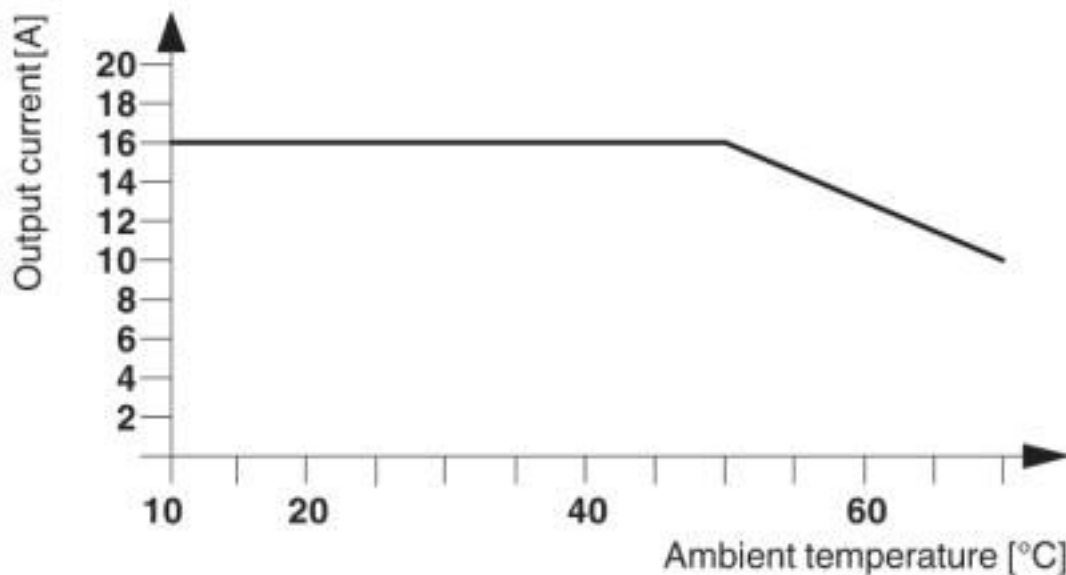
Drawings

Block diagram



Solid-state reversing contactor - ELR W3-230AC/500AC-16 - 2297345

Diagram



Classifications

eCl@ss

eCl@ss 5.1	27371000
eCl@ss 6.0	27371000
eCl@ss 7.0	27371014
eCl@ss 8.0	27371014
eCl@ss 9.0	27371014

ETIM

ETIM 4.0	EC002055
ETIM 5.0	EC002055
ETIM 6.0	EC002055
ETIM 7.0	EC002055

UNSPSC

UNSPSC 6.01	30211915
UNSPSC 7.0901	39121514
UNSPSC 11	39121514
UNSPSC 12.01	39121514
UNSPSC 13.2	39121529
UNSPSC 19.0	39121529

Phoenix Contact 2020 © - all rights reserved
<http://www.phoenixcontact.com>

PHOENIX CONTACT GmbH & Co. KG
Flachmarktstr. 8
32825 Blomberg
Germany
Tel. +49 5235 300
Fax +49 5235 3 41200
<http://www.phoenixcontact.com>

Mouser Electronics

Authorized Distributor

Click to View Pricing, Inventory, Delivery & Lifecycle Information:

[Phoenix Contact:](#)

[2297345](#)