

Electronic housing - RPI-BC 107,6 DEV-KIT KMGY - 2202874

Please be informed that the data shown in this PDF Document is generated from our Online Catalog. Please find the complete data in the user's documentation. Our General Terms of Use for Downloads are valid (<http://phoenixcontact.com/download>)




DIN rail housing for Raspberry Pi computers (suitable for Raspberry Pi A+, B+, B2, B3, B4); set consisting of lower part, upper part, cover, and PCB retainer; housing according to DIN 43880

Your advantages

- ✓ Tool-free mounting
- ✓ Plenty of space for additional circuits on matrix or additional boards
- ✓ GPIO strip can be used with PTSM series connection technology
- ✓ Easy module-to-module connection, thanks to bus connection via DIN rails



Key Commercial Data

Packing unit	1 pc
GTIN	 4 055626 257211
GTIN	4055626257211

Technical data

Item properties

Brief article description	Electronic housing
Type	RPI-BC 107,6 DEV-KIT KMGY
Order No.	2202874
Housing type	DIN rail housing
Type	Housing set
Max. IP code to attain	IP20
Mounting type	Snap in

Dimensions

Width [w]	107.6 mm
Height [h]	89.7 mm
Depth [d]	62.2 mm

Electronic housing - RPI-BC 107,6 DEV-KIT KMGY - 2202874

Technical data

Material data

Housing material	Polycarbonate
Color (RAL)	light gray (7035)
Flammability rating according to UL 94	V0

Ambient conditions

Ambient temperature (storage/transport)	-40 °C ... 70 °C
Ambient temperature (assembly)	-5 °C ... 100 °C
Ambient temperature (operation)	-40 °C ... 105 °C (depending on power dissipation)

PCB data

Form factor	Raspberry Pi
-------------	--------------

Power dissipation, single housing at 20 °C

Ambient temperature	20 °C
Reduction factor	1

Power dissipation, single housing at 30 °C

Ambient temperature	30 °C
Reduction factor	0.84

Power dissipation, single housing at 40 °C

Ambient temperature	40 °C
Reduction factor	0.72

Power dissipation, single housing at 50 °C

Ambient temperature	50 °C
Reduction factor	0.6

Power dissipation, single housing at 60 °C

Ambient temperature	60 °C
Reduction factor	0.48

Packaging information

Pieces per package	1
Denomination packing units	Pcs.

Standards and regulations

Flammability rating according to UL 94	V0
--	----

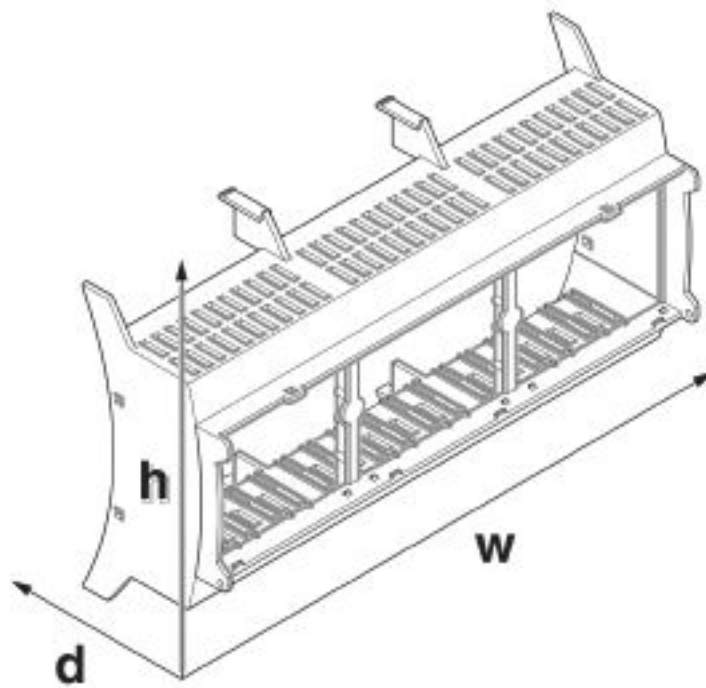
Environmental Product Compliance

China RoHS	Environmentally friendly use period: unlimited = EFUP-e
	No hazardous substances above threshold values

Drawings

Electronic housing - RPI-BC 107,6 DEV-KIT KMGY - 2202874

Dimensional drawing



Classifications

eCl@ss

eCl@ss 10.0.1	27182702
eCl@ss 5.1	27269190
eCl@ss 6.0	27180800
eCl@ss 7.0	27182702
eCl@ss 8.0	27182702
eCl@ss 9.0	27182702

ETIM

ETIM 5.0	EC001031
ETIM 6.0	EC001031
ETIM 7.0	EC001031

UNSPSC

UNSPSC 13.2	31261501
UNSPSC 18.0	31261501
UNSPSC 19.0	31261501
UNSPSC 20.0	31261501
UNSPSC 21.0	31261501

Electronic housing - RPI-BC 107,6 DEV-KIT KMGY - 2202874

Approvals

Approvals

Approvals

EAC

Ex Approvals

Approval details

EAC		B.01687
-----	---	---------

Accessories

Additional products

Adapter - RPI-BC A+-ADAPTER ATGY - 2202906



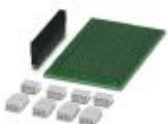
Optional adapter for RPI-BC housing for using the Raspberry Pi A+

DIN rail bus connectors - HBUS 107,6-16P-1S BK P1 - 2202876



DIN rail connector, number of positions: 16, pitch: 2.54 mm, color: jet black

PCB - RPI-BC INT-PCB SET - 2202994



Perfboard with GPIO connection incl. PTSM terminal blocks

Electronic housing - RPI-BC 107,6 DEV-KIT KMGY - 2202874

Accessories

PCB - RPI-BC EXT-PCB HBUS SET - 2202995



Perfboard with HBUS connection incl. suitable pin strip

Pin strip - PSTD 0,65X0,65/18-3IS-2,54 - 2202993



Pin strip for connecting an additional PCB or PCB with hole pattern to the HBUS

Socket strip - PSTD 0,65X0,65/40-2,54 - 2202992



Socket strip for connecting an additional PCB or PCB with hole pattern to the GPIOs of the Raspberry Pi computer

Phoenix Contact 2020 © - all rights reserved
<http://www.phoenixcontact.com>

PHOENIX CONTACT GmbH & Co. KG
Flachsmarktstr. 8
32825 Blomberg
Germany
Tel. +49 5235 300
Fax +49 5235 3 41200
<http://www.phoenixcontact.com>

Mouser Electronics

Authorized Distributor

Click to View Pricing, Inventory, Delivery & Lifecycle Information:

[Phoenix Contact:](#)

[2202874](#)