

Profile cover - UM-ALU 4 AU75 L130 - 2200966

Please be informed that the data shown in this PDF Document is generated from our Online Catalog. Please find the complete data in the user's documentation. Our General Terms of Use for Downloads are valid (<http://phoenixcontact.com/download>)




Press-drawn section housings, Profile cover, width: 75.6 mm, profile width (internal): 71.5 mm, length: 130 mm, color: aluminum color

Your advantages

- Item is from the UM-ALU product range
- Aluminum press-drawn section
- Available in lengths from 42.5 mm ... 990 mm, can be cut to any length
- Available in overall widths of 75 mm and 105 mm
- Variety of connection technologies
- Can be mounted on the DIN rail
- EMC protection



Key Commercial Data

Packing unit	1 pc
GTIN	 4 046356 721080
GTIN	4046356721080

Technical data

Product properties

Brief article description	Profile cover
Type	UM-ALU 4 AU75 L130
Order No.	2200966
Housing type	Press-drawn section housings
Type	Profile cover
Max. IP code to attain	IP40
Mounting type	Screw mounting

Dimensions

Width [w]	75.6 mm
-------------	---------

Profile cover - UM-ALU 4 AU75 L130 - 2200966

Technical data

Dimensions

Length [l]	130 mm
Depth [d]	43.1 mm

Material specifications

Material	Aluminum
Color	aluminum color
Surface characteristics	anodized

Ambient conditions

Ambient temperature (storage/transport)	-40 °C ... 55 °C
Ambient temperature (assembly)	-5 °C ... 100 °C
Ambient temperature (operation)	-40 °C ... 100 °C (depending on power dissipation)

PCB specifications

Number of PCB holders	5
PCB thickness	1.44 mm ... 2 mm
PCB surface	8233 mm ² ... 8829 mm ² (TOP in conjunction with side elements COVERLID...AL or 4LID...PA)
	8233 mm ² ... 8829 mm ² (BOTTOM in conjunction with side elements COVERLID...AL or 4LID...PA)
Mounting position	parallel to the DIN rail
Type of PCB mount	Slot

Packaging specifications

Type of packaging	packed in cardboard
Pieces per package	1
Denomination packing units	Pcs.
Outer packaging type	Carton

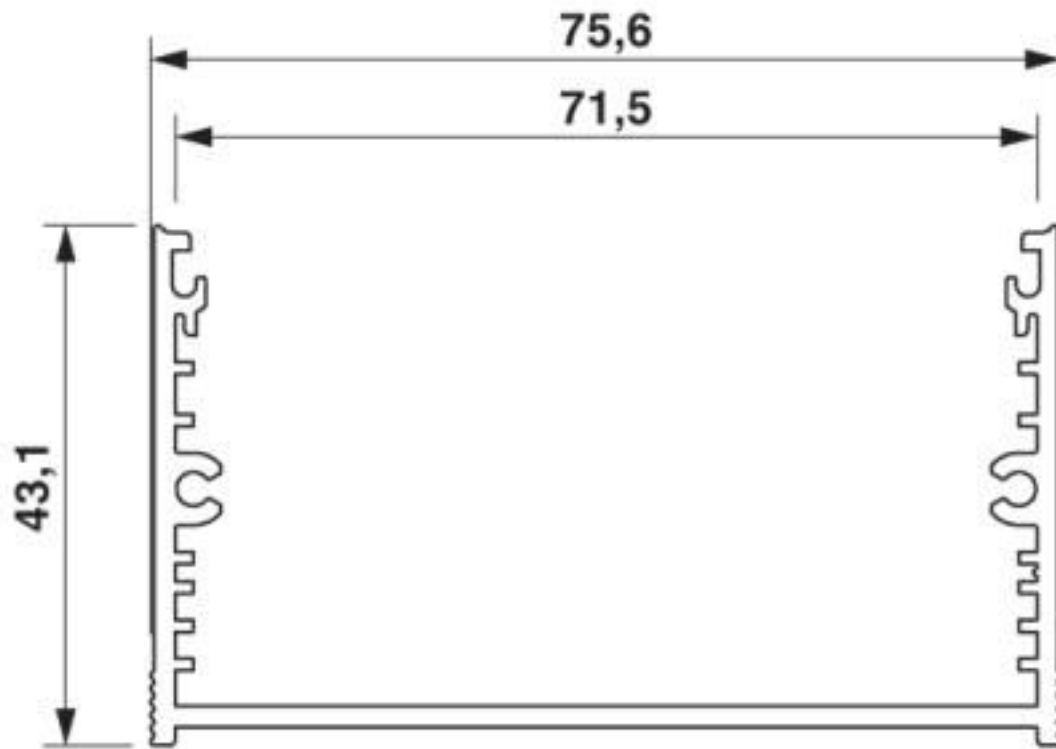
Environmental Product Compliance

China RoHS	Environmentally friendly use period: unlimited = EFUP-e
	No hazardous substances above threshold values

Drawings

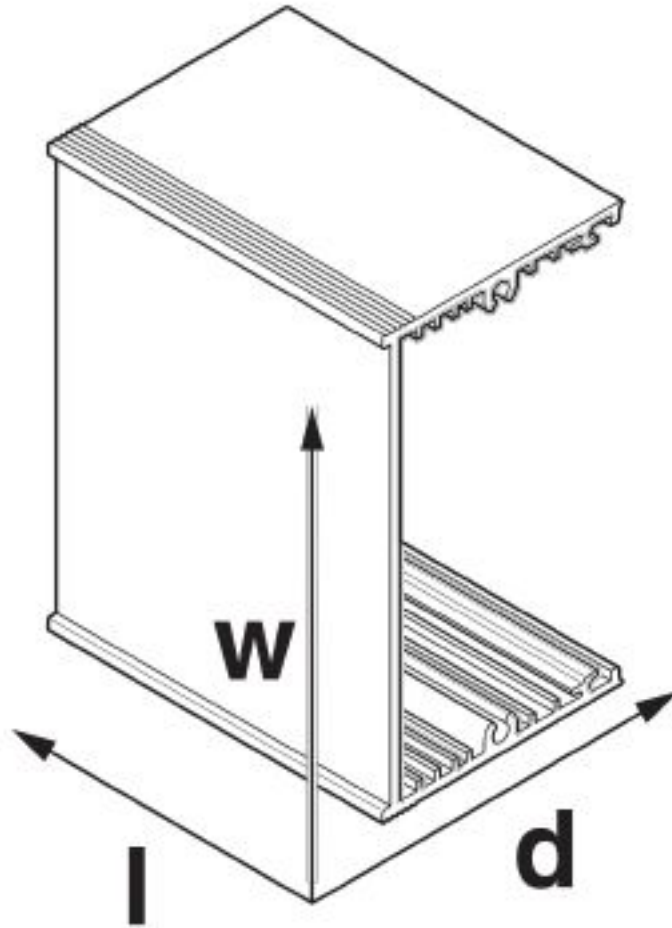
Profile cover - UM-ALU 4 AU75 L130 - 2200966

Dimensional drawing



Profile cover - UM-ALU 4 AU75 L130 - 2200966

Schematic diagram



Classifications

eCl@ss

eCl@ss 10.0.1	27182701
eCl@ss 4.0	27180400
eCl@ss 4.1	27180400
eCl@ss 5.0	27180500
eCl@ss 5.1	27180500
eCl@ss 6.0	27182000
eCl@ss 7.0	27182701
eCl@ss 8.0	27182701
eCl@ss 9.0	27182701

ETIM

ETIM 3.0	EC001031
----------	----------

Profile cover - UM-ALU 4 AU75 L130 - 2200966

Classifications

ETIM

ETIM 4.0	EC000721
ETIM 5.0	EC002779
ETIM 6.0	EC002779
ETIM 7.0	EC002779

UNSPSC

UNSPSC 6.01	31261501
UNSPSC 7.0901	31261501
UNSPSC 11	31261501
UNSPSC 12.01	31261501
UNSPSC 13.2	31261501
UNSPSC 18.0	31261501
UNSPSC 19.0	31261501
UNSPSC 20.0	31261501
UNSPSC 21.0	31261501

Approvals

Approvals

Approvals

EAC

Ex Approvals

Approval details

EAC		B.01742
-----	--	---------

Accessories

Necessary add-on products

Side element - UM-ALU 4-72 COVERLID 75 AL - 2202085

Press-drawn section housings, Side elements (left and right) incl. snap-on foot and screws for profile cover UM-ALU 4 AU..L..., width: 75.4 mm, height: 2 mm, color: aluminum color



Profile cover - UM-ALU 4 AU75 L130 - 2200966

Accessories

Side element - UM-ALU 4-100,5 COVERLID 75 AL - 2201760

Press-drawn section housings, Side elements (left and right) incl. snap-on foot and screws for profile cover UM-ALU 4 AU..L..., width: 105.4 mm, height: 2 mm, color: aluminum color



Side element - UM-ALU 4 LID75 PA BK - 2200972

Press-drawn section housings, Side elements (left and right) for profile cover, incl. screws, width: 75.4 mm, length: 9 mm, color: black (9005)



Phoenix Contact 2020 © - all rights reserved
<http://www.phoenixcontact.com>

PHOENIX CONTACT GmbH & Co. KG
Flachsmarktstr. 8
32825 Blomberg
Germany
Tel. +49 5235 300
Fax +49 5235 3 41200
<http://www.phoenixcontact.com>

Mouser Electronics

Authorized Distributor

Click to View Pricing, Inventory, Delivery & Lifecycle Information:

[Phoenix Contact:](#)

[2200966](#)