

## Front plate - UM-ALU 4-72 FRONT 130 - 2200928

Please be informed that the data shown in this PDF Document is generated from our Online Catalog. Please find the complete data in the user's documentation. Our General Terms of Use for Downloads are valid (<http://phoenixcontact.com/download>)

Press-drawn section housings, Basic profile front plate, width: 71.8 mm, length: 131.3 mm, color: aluminum color, recommended for UM-ALU 4-..COVER PA.. lateral elements




### Your advantages

- Item is from the UM-ALU product range
- Aluminum press-drawn section
- Available in lengths from 42.5 mm ... 990 mm, can be cut to any length
- Available in overall widths of 75 mm and 105 mm
- Variety of connection technologies
- Can be mounted on the DIN rail
- EMC protection



### Key Commercial Data

|              |   |
|--------------|---|
| Packing unit | 1 pc  |
| GTIN         | <br>4 046356 720441 |
| GTIN         | 4046356720441   |

### Technical data

#### Product properties

|                           |                              |
|---------------------------|------------------------------|
| Brief article description | Front plate                  |
| Type                      | UM-ALU 4-72 FRONT 130        |
| Order No.                 | 2200928                      |
| Housing type              | Press-drawn section housings |
| Type                      | Basic profile front plate    |
| Max. IP code to attain    | IP40                         |

#### Dimensions

|              |          |
|--------------|----------|
| Width [ w ]  | 71.8 mm  |
| Length [ l ] | 131.3 mm |

## Front plate - UM-ALU 4-72 FRONT 130 - 2200928

### Technical data

#### Dimensions

|             |      |
|-------------|------|
| Depth [ d ] | 2 mm |
|-------------|------|

#### Material specifications

|                         |                |
|-------------------------|----------------|
| Material                | Aluminum       |
| Color                   | aluminum color |
| Surface characteristics | anodized       |

#### Ambient conditions

|   |  |
|---|--|
| Ambient temperature (storage/transport) | -40 °C ... 55 °C                                   |
| Ambient temperature (assembly)          | -5 °C ... 100 °C                                   |
| Ambient temperature (operation)         | -40 °C ... 100 °C (depending on power dissipation) |

#### Packaging specifications

|                            |      |
|----------------------------|------|
| Pieces per package         | 1    |
| Denomination packing units | Pcs. |

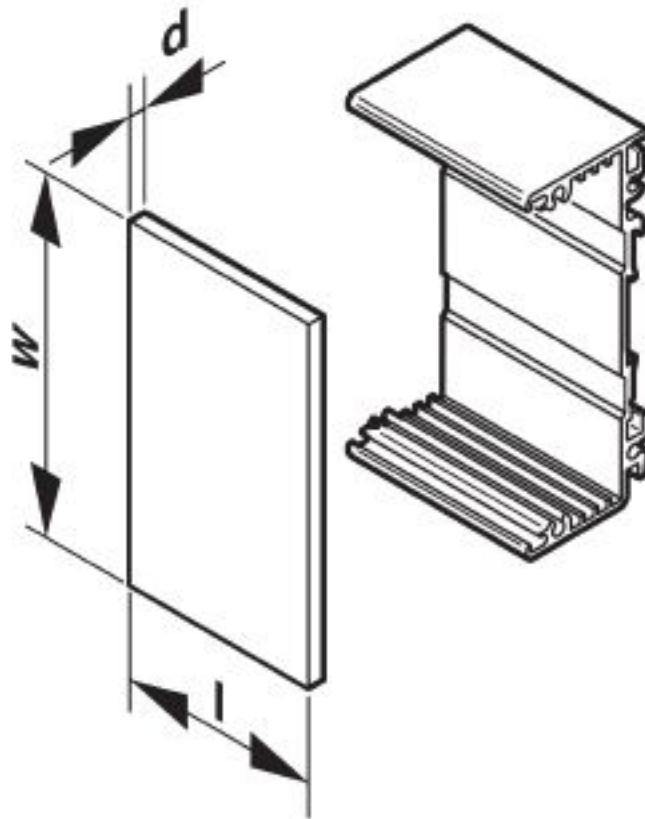
#### Environmental Product Compliance

|            |   |
|------------|---|
| China RoHS | Environmentally friendly use period: unlimited = EFUP-e |
|            | No hazardous substances above threshold values          |

### Drawings

# Front plate - UM-ALU 4-72 FRONT 130 - 2200928

Schematic diagram



## Classifications

eCl@ss

|               |          |
|---------------|----------|
| eCl@ss 10.0.1 | 27182701 |
| eCl@ss 4.0    | 27180400 |
| eCl@ss 4.1    | 27180400 |
| eCl@ss 5.0    | 27180500 |
| eCl@ss 5.1    | 27180500 |
| eCl@ss 6.0    | 27182000 |
| eCl@ss 7.0    | 27182701 |
| eCl@ss 8.0    | 27182701 |
| eCl@ss 9.0    | 27182701 |

# Front plate - UM-ALU 4-72 FRONT 130 - 2200928

## Classifications

### ETIM

|          |          |
|----------|----------|
| ETIM 3.0 | EC001031 |
| ETIM 4.0 | EC000721 |
| ETIM 5.0 | EC002779 |
| ETIM 6.0 | EC002779 |
| ETIM 7.0 | EC002779 |

### UNSPSC

|               |          |
|---------------|----------|
| UNSPSC 6.01   | 31261501 |
| UNSPSC 7.0901 | 31261501 |
| UNSPSC 11     | 31261501 |
| UNSPSC 12.01  | 31261501 |
| UNSPSC 13.2   | 31261501 |
| UNSPSC 18.0   | 31261501 |
| UNSPSC 19.0   | 31261501 |
| UNSPSC 20.0   | 31261501 |
| UNSPSC 21.0   | 31261501 |

## Approvals

### Approvals

---

Approvals


EAC

---

Ex Approvals

---

### Approval details

|     |   |         |
|-----|---|---------|
| EAC |  | B.01742 |
|-----|---|---------|

## Accessories

Necessary add-on products

## Front plate - UM-ALU 4-72 FRONT 130 - 2200928

### Accessories

Profile - UM-ALU 4-72 PROFILE 130 - 2200920



Press-drawn section housings, Basic profile, profile width (internal): 72 mm, length: 130 mm, color: aluminum color

---

Side element - UM-ALU 4-72 COVER PA BK - 2200934



Press-drawn section housings, Side elements (left and right) incl. snap-on foot and screws for basic profile, width: 75.4 mm, color: black (9005)

---

Phoenix Contact 2020 © - all rights reserved  
<http://www.phoenixcontact.com>

PHOENIX CONTACT GmbH & Co. KG  
Flachsmarktstr. 8  
32825 Blomberg  
Germany  
Tel. +49 5235 300  
Fax +49 5235 3 41200  
<http://www.phoenixcontact.com>

# Mouser Electronics

Authorized Distributor

Click to View Pricing, Inventory, Delivery & Lifecycle Information:

[Phoenix Contact:](#)

[2200928](#)