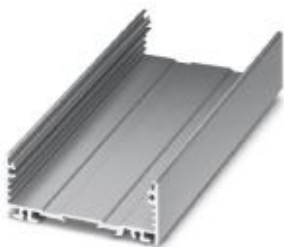


## Profile - UM-ALU 4-72 PROFILE 200 - 2200922

Please be informed that the data shown in this PDF Document is generated from our Online Catalog. Please find the complete data in the user's documentation. Our General Terms of Use for Downloads are valid (<http://phoenixcontact.com/download>)



Press-drawn section housings, Basic profile, profile width (internal): 72 mm, length: 200 mm, color: aluminum color

### Your advantages

- Item is from the UM-ALU product range
- Aluminum press-drawn section
- Available in lengths from 42.5 mm ... 990 mm, can be cut to any length
- Available in overall widths of 75 mm and 105 mm
- Variety of connection technologies
- Can be mounted on the DIN rail
- EMC protection



### Key Commercial Data

Packing unit	1 pc
GTIN	
GTIN	4046356716260

### Technical data

#### Product properties

Brief article description	Profile
Type	UM-ALU 4-72 PROFILE 200
Order No.	2200922
Housing type	Press-drawn section housings
Type	Basic profile
Max. IP code to attain	IP40
Mounting type	Screw mounting

#### Dimensions

Length [ 1 ]	200 mm
--------------	--------

## Profile - UM-ALU 4-72 PROFILE 200 - 2200922

### Technical data

#### Dimensions

Profile width (external)	75 mm
Profile width (internal)	72 mm
Depth [ d ]	29.4 mm
Depth from top edge of DIN rail	25.5 mm

#### Material specifications

Material	Aluminum
Color	aluminum color
Surface characteristics	anodized

#### Ambient conditions

Ambient temperature (storage/transport)	-40 °C ... 55 °C
Ambient temperature (assembly)	-5 °C ... 100 °C
Ambient temperature (operation)	-40 °C ... 105 °C (depending on power dissipation)

#### PCB specifications

Number of PCB holders	3
PCB thickness	1.44 mm ... 2 mm
PCB surface	12967 mm <sup>2</sup> ... 13656 mm <sup>2</sup> (TOP in conjunction with side elements COVER...AL)
	13137 mm <sup>2</sup> ... 13586 mm <sup>2</sup> (BOTTOM in conjunction with side elements COVER...AL)
	12967 mm <sup>2</sup> ... 13943 mm <sup>2</sup> (TOP in conjunction with side elements COVER...PA)
	13276 mm <sup>2</sup> ... 13943 mm <sup>2</sup> (BOTTOM in conjunction with side elements COVER...PA)
Mounting position	parallel to the DIN rail
Type of PCB mount	Slot

#### Packaging specifications

Type of packaging	packed in cardboard
Pieces per package	1
Denomination packing units	Pcs.
Outer packaging type	Carton

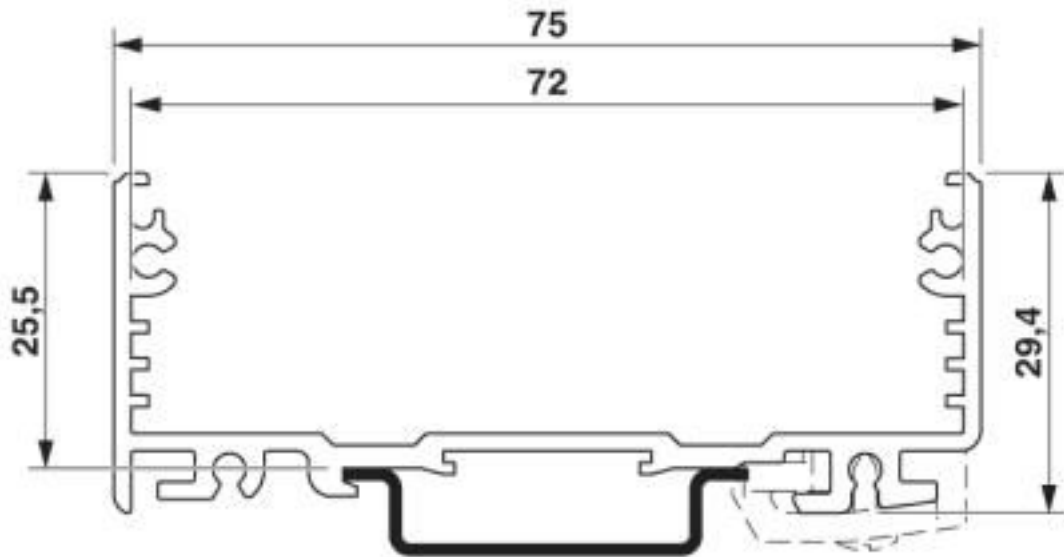
#### Environmental Product Compliance

China RoHS	Environmentally friendly use period: unlimited = EFUP-e
	No hazardous substances above threshold values

### Drawings

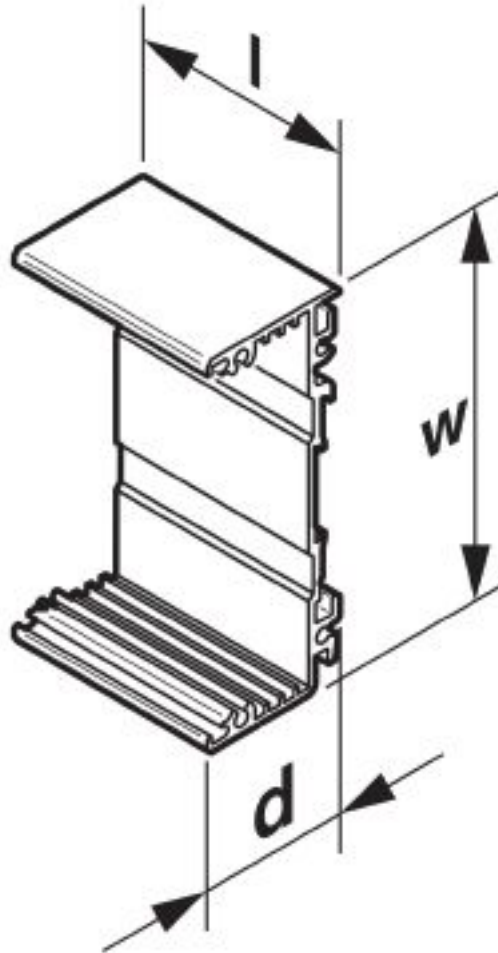
## Profile - UM-ALU 4-72 PROFILE 200 - 2200922

Dimensional drawing



# Profile - UM-ALU 4-72 PROFILE 200 - 2200922

Dimensional drawing



## Classifications

### eCl@ss

eCl@ss 10.0.1	27182701
eCl@ss 4.0	27180400
eCl@ss 4.1	27180400
eCl@ss 5.0	27180500
eCl@ss 5.1	27180500
eCl@ss 6.0	27182000
eCl@ss 7.0	27182701
eCl@ss 8.0	27182701
eCl@ss 9.0	27182701

### ETIM

ETIM 3.0	EC001031
----------	----------

# Profile - UM-ALU 4-72 PROFILE 200 - 2200922

## Classifications

### ETIM

ETIM 4.0	EC000721
ETIM 5.0	EC002779
ETIM 6.0	EC002779
ETIM 7.0	EC002779

### UNSPSC

UNSPSC 6.01	31261501
UNSPSC 7.0901	31261501
UNSPSC 11	31261501
UNSPSC 12.01	31261501
UNSPSC 13.2	31261501
UNSPSC 18.0	31261501
UNSPSC 19.0	31261501
UNSPSC 20.0	31261501
UNSPSC 21.0	31261501

## Accessories

### Accessories

#### Ground contact

Grounding clip - UM-ALU 4 PE CONTACT - 2200973

Press-drawn section housings, Grounding clamp for integrating the basic profile into the potential equalization system via slip-on sleeves in accordance with DIN 46244, width: 17 mm, color: silver



---

## Necessary add-on products

Side element - UM-ALU 4-72 COVER AL - 2200933

Press-drawn section housings, Side elements (left and right) incl. snap-on foot and screws for basic profile, width: 75.4 mm, height: 2 mm, color: aluminum color



## Profile - UM-ALU 4-72 PROFILE 200 - 2200922

### Accessories

#### Side element - UM-ALU 4-72 COVERLID 45 AL - 2201758

Press-drawn section housings, Side elements (left and right) incl. snap-on foot and screws for profile cover UM-ALU 4 AU..L..., width: 75.4 mm, height: 2 mm, color: aluminum color



#### Side element - UM-ALU 4-72 COVERLID 75 AL - 2202085

Press-drawn section housings, Side elements (left and right) incl. snap-on foot and screws for profile cover UM-ALU 4 AU..L..., width: 75.4 mm, height: 2 mm, color: aluminum color



#### Base latch - UM-ALU 4 FOOT - 2200974



Press-drawn section housings, Snap-on foot for DIN rail, incl. screw

#### Side element - UM-ALU 4-72 COVER PA BK - 2200934



Press-drawn section housings, Side elements (left and right) incl. snap-on foot and screws for basic profile, width: 75.4 mm, color: black (9005)

### Additional products

#### Profile cover - UM-ALU 4 AU75 L200 - 2200968



Press-drawn section housings, Profile cover, width: 75.6 mm, profile width (internal): 71.5 mm, length: 200 mm, color: aluminum color

## Profile - UM-ALU 4-72 PROFILE 200 - 2200922

### Accessories

Front plate - UM-ALU 4-72 FRONT 200 AP - 2202091



Press-drawn section housings, Basic profile front plate, width: 71.8 mm, length: 200 mm, color: aluminum color, recommended for UM-ALU 4-..COVER AL lateral elements

---

Phoenix Contact 2020 © - all rights reserved  
<http://www.phoenixcontact.com>

PHOENIX CONTACT GmbH & Co. KG  
Flachsmarktstr. 8  
32825 Blomberg  
Germany  
Tel. +49 5235 300  
Fax +49 5235 3 41200  
<http://www.phoenixcontact.com>

# Mouser Electronics

Authorized Distributor

Click to View Pricing, Inventory, Delivery & Lifecycle Information:

[Phoenix Contact:](#)

[2200922](#)