

## Electronic housing - HC-ALU 6-78 PROFILE 100 - 2200892

Please be informed that the data shown in this PDF Document is generated from our Online Catalog. Please find the complete data in the user's documentation. Our General Terms of Use for Downloads are valid (<http://phoenixcontact.com/download>)



Profile housing, Lower part, profile width (internal): 78 mm, length: 100 mm, height: 98.5 mm, color: aluminum color

### Your advantages

- ✔ Item is from the HC-ALU product range
- ✔ Aluminum press-drawn section
- ✔ Available in lengths from 100 mm ... 1000 mm, can be individually cut to any length
- ✔ Available in overall widths 53.5 mm ... 161 mm
- ✔ Degree of protection up to IP65
- ✔ Usable as handheld and wall housing
- ✔ Optional EMC seals available

### Key Commercial Data

Packing unit	1 pc
GTIN	
GTIN	4046356716192

### Technical data

#### Product properties

Brief article description	Electronic housing
Type	HC-ALU 6-78 PROFILE 100
Order No.	2200892
Housing type	Profile housing
Type	Lower part
Max. IP code to attain	IP65
Mounting type	Wall mounting (with accessories as an option)

#### Dimensions

Length [ 1 ]	100 mm
--------------	--------

## Electronic housing - HC-ALU 6-78 PROFILE 100 - 2200892

### Technical data

#### Dimensions

Profile width (external)	98.5 mm
Profile width (internal)	78 mm
Height	98.5 mm
Depth [ d ]	32.8 mm

#### Material specifications

Material	Aluminum
Color	aluminum color
Surface characteristics	anodized

#### Ambient conditions

Ambient temperature (operation)	-40 °C ... 85 °C
---------------------------------	------------------

#### PCB specifications

Number of PCB holders	7
Type of PCB mount	Slot

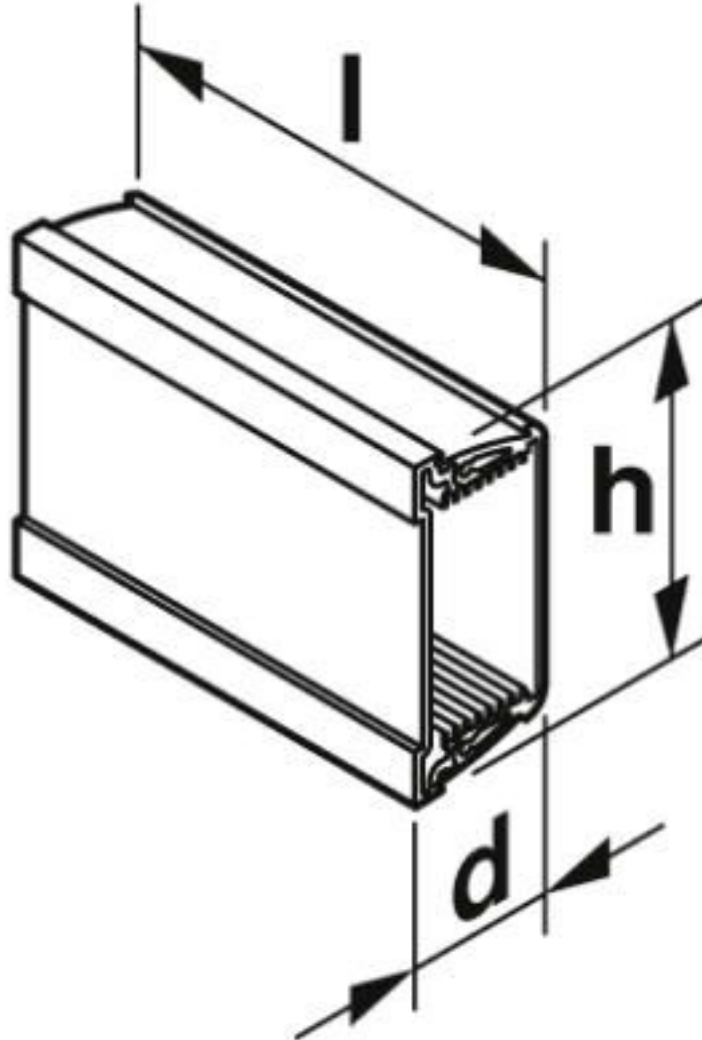
#### Packaging specifications

Pieces per package	1
Denomination packing units	Pcs.

### Drawings

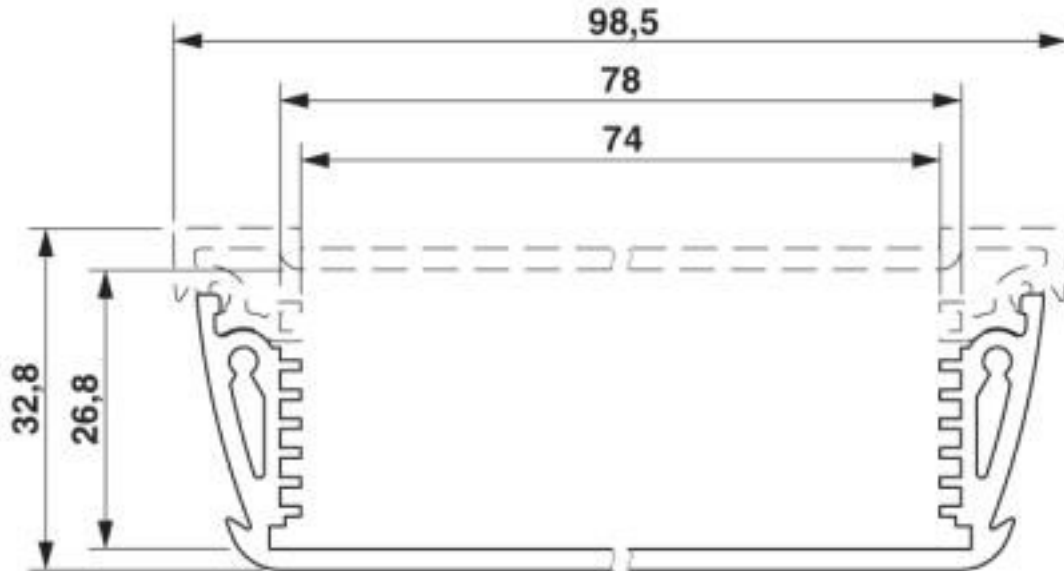
## Electronic housing - HC-ALU 6-78 PROFILE 100 - 2200892

Dimensional drawing



# Electronic housing - HC-ALU 6-78 PROFILE 100 - 2200892

Dimensional drawing



## Classifications

### eCl@ss

eCl@ss 10.0.1	27182701
eCl@ss 4.0	27180400
eCl@ss 4.1	27180400
eCl@ss 5.0	27180500
eCl@ss 5.1	27180500
eCl@ss 6.0	27182000
eCl@ss 7.0	27182701
eCl@ss 8.0	27182701
eCl@ss 9.0	27182701

### ETIM

ETIM 3.0	EC001031
ETIM 4.0	EC000721
ETIM 5.0	EC002779
ETIM 6.0	EC002779
ETIM 7.0	EC002779

### UNSPSC

UNSPSC 6.01	31261501
UNSPSC 7.0901	31261501
UNSPSC 11	31261501
UNSPSC 12.01	31261501
UNSPSC 13.2	31261501

# Electronic housing - HC-ALU 6-78 PROFILE 100 - 2200892

## Classifications

### UNSPSC

UNSPSC 18.0	31261501
UNSPSC 19.0	31261501
UNSPSC 20.0	31261501
UNSPSC 21.0	31261501

## Approvals

### Approvals

Approvals

EAC

Ex Approvals

### Approval details

EAC		B.01742
-----	--	---------

## Accessories

### Accessories

#### Mounting material

Mounting material - HC-ALU 6 DECO 100 GY - 2200914



Decorative strip for HC-ALU panel mounting base

Mounting material - HC-ALU 6 MOUNT 100 GY - 2200911



Mounting foot for panel mounting the HC-ALU panel mounting base

### Seal

## Electronic housing - HC-ALU 6-78 PROFILE 100 - 2200892

### Accessories

Seal - HC-ALU 6-78 SEAL EMC - 2200908



EMC seal for HC-ALU panel mounting base

---

### Tool set

Tool set - SF-TXH SET - 1212538



Screwdriver set, Torx<sup>®</sup> with drill bit, 6-part, incl. rack, contents: TX 8 x 60; TX 10 x 80; TX 15 x 80; TX 20 x 100; TX 25 x 100; TX 30 x 115

---

Tool set - SF-M SET - 1212543



Bit screwdriver set with quick-action chuck, 89 mm long slotted/crosshead (PZ and PH)/hex/Torx<sup>®</sup> bits, 17-part, in folding belt pouch, contents: PH 1,2,3 x 89; PZ 1,2,3 x 89; SL 1.5 x 5.5 x 89; TX 10-30 x 89; SW 3,4,5,6 x 89

---

### Necessary add-on products

End cover - HC-ALU 6-78 COVER GY - 2200896



Profile housing, Side part, length: 15 mm, width: 101.9 mm

---

End cover - HC-ALU 6-78 DKL-COVER GY - 2201122



Profile housing, Side part, length: 15 mm, width: 101.9 mm

---

---

Phoenix Contact 2020 © - all rights reserved  
<http://www.phoenixcontact.com>

PHOENIX CONTACT GmbH & Co. KG  
Flachsmarktstr. 8  
32825 Blomberg  
Germany  
Tel. +49 5235 300  
Fax +49 5235 3 41200  
<http://www.phoenixcontact.com>

# Mouser Electronics

Authorized Distributor

Click to View Pricing, Inventory, Delivery & Lifecycle Information:

[Phoenix Contact:](#)

[2200892](#)