

# Feed-through header - IC 2,5 HC/12-GF-5,08 - 1943522

Please be informed that the data shown in this PDF Document is generated from our Online Catalog. Please find the complete data in the user's documentation. Our General Terms of Use for Downloads are valid (<http://phoenixcontact.com/download>)

PCB headers, nominal current: 16 A, rated voltage (III/2): 320 V, nominal cross section: 2.5 mm<sup>2</sup>, number of positions: 12, pitch: 5.08 mm, color: green, contact surface: Tin, mounting: Wave soldering, pin layout: Linear pinning, solder pin [P]: 3.5 mm, COMBICON connectors may only be activated under no load conditions. If for operating reasons small loads must be switched, experimental values are available upon request.




The figure shows a 10-position version of the product

## Your advantages

- Well-known mounting principle allows worldwide use
- Inverted header with socket contacts for touch-proof device outputs or PCB/PCB connections
- Screwable flange for superior mechanical stability
- Integrated double steel spring provides additional safety in the event of temperature and power fluctuations



## Key Commercial Data

|              |   |
|--------------|---|
| Packing unit | 50 pc   |
| GTIN         | <br>4 017918 880286 |
| GTIN         | 4017918880286   |

## Technical data

### Item properties

|                           |                     |
|---------------------------|---------------------|
| Brief article description | Feed-through header |
| Plug-in system            | POWER COMBICON 2,5  |
| Type of contact           | Female connector    |
| Range of articles         | IC 2,5 HC/...-GF    |
| Pitch                     | 5.08 mm             |
| Number of positions       | 12                  |
| Mounting type             | Wave soldering      |
| Pin layout                | Linear pinning      |
| Locking                   | Threaded flange     |
| Number of levels          | 1                   |
| Number of connections     | 12                  |

# Feed-through header - IC 2,5 HC/12-GF-5,08 - 1943522

## Technical data

### Item properties

|                      |    |
|----------------------|----|
| Number of potentials | 12 |
|----------------------|----|

### Electrical parameters

|                             |       |
|-----------------------------|-------|
| Nominal current             | 16 A  |
| Nom. voltage                | 320 V |
| Rated voltage               | 320 V |
| Rated voltage (III/2)       | 320 V |
| Rated voltage (II/2)        | 630 V |
| Rated surge voltage (III/3) | 4 kV  |
| Rated surge voltage (III/2) | 4 kV  |
| Rated surge voltage (II/2)  | 4 kV  |

### Material data - contact

|   |   |
|---|---|
| Note  | WEEE/RoHS-compliant, free of whiskers according to IEC 60068-2-82/ JEDEC JESD 201 |
| Contact material                            | Cu alloy  |
| Metal surface contact area (top layer)      | Tin (4 - 8 µm Sn)   |
| Metal surface contact area (middle layer)   | Nickel (2 - 3 µm Ni),   |
| Metal surface soldering area (top layer)    | Tin (5 - 7 µm Sn)   |
| Metal surface soldering area (middle layer) | Nickel (2 - 3 µm Ni)  |

### Material data - housing

|   |              |
|---|--------------|
| Housing color   | green (6021) |
| Insulating material   | PA           |
| Insulating material group   | I            |
| CTI according to IEC 60112  | 600          |
| Flammability rating according to UL 94                            | V0           |
| Glow wire flammability index GWFI according to EN 60695-2-12      | 850          |
| Glow wire ignition temperature GWIT according to EN 60695-2-13    | 775          |
| Temperature for the ball pressure test according to EN 60695-10-2 | 125 °C       |

### Dimensions for the product

|                             |                |
|-----------------------------|----------------|
| Length [ l ]                | 19 mm          |
| Width [ w ]                 | 71.08 mm       |
| Height [ h ]                | 13.7 mm        |
| Pitch                       | 5.08 mm        |
| Height (without solder pin) | 10.2 mm        |
| Solder pin [P]              | 3.5 mm         |
| Pin spacing                 | 5.08 mm        |
| Pin dimensions              | 0.48 x 1.14 mm |

### Dimensions for PCB design

|               |         |
|---------------|---------|
| Hole diameter | 1.4 mm  |
| Pin spacing   | 5.08 mm |

## Feed-through header - IC 2,5 HC/12-GF-5,08 - 1943522

### Technical data

#### Packaging information

|                            |                     |
|----------------------------|---------------------|
| Type of packaging          | packed in cardboard |
| Pieces per package         | 50                  |
| Denomination packing units | Pcs.                |

#### Standards and Regulations

|  |        |
|--|--------|
| Connection in acc. with standard       | EN-VDE |
|  | CUL    |
| Flammability rating according to UL 94 | V0     |

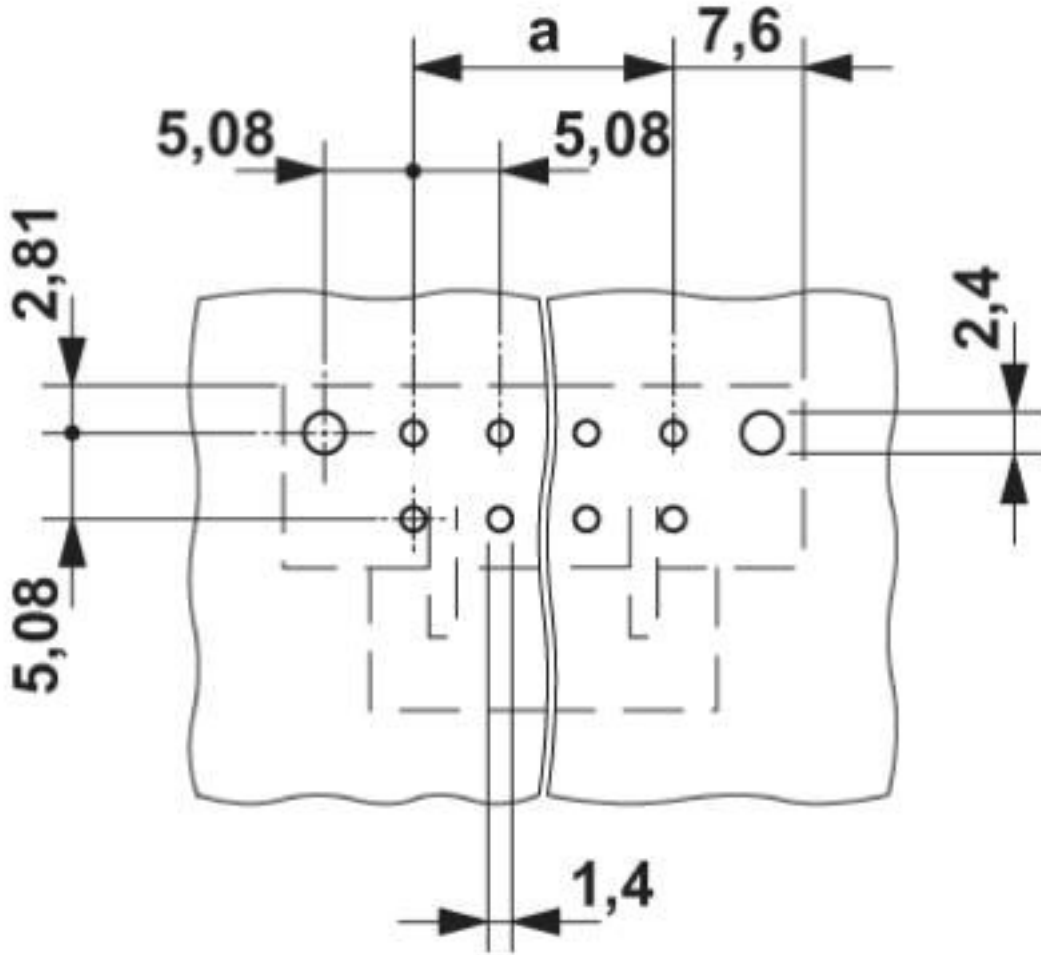
#### Environmental Product Compliance

|            |   |
|------------|---|
| REACH SVHC | Lead 7439-92-1  |
| China RoHS | Environmentally Friendly Use Period = 50 years  |
|            | For details about hazardous substances go to tab "Downloads", Category "Manufacturer's declaration" |

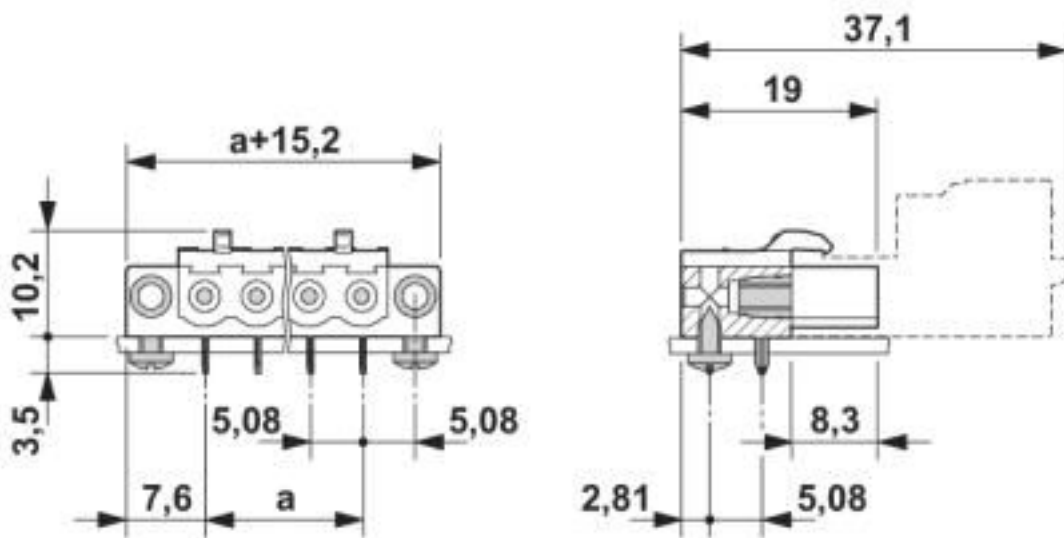
### Drawings

# Feed-through header - IC 2,5 HC/12-GF-5,08 - 1943522

Drilling diagram



Dimensional drawing



# Feed-through header - IC 2,5 HC/12-GF-5,08 - 1943522

## Classifications

### eCl@ss

|               |          |
|---------------|----------|
| eCl@ss 10.0.1 | 27440402 |
| eCl@ss 4.0    | 27260700 |
| eCl@ss 4.1    | 27260700 |
| eCl@ss 5.0    | 27260700 |
| eCl@ss 5.1    | 27260700 |
| eCl@ss 6.0    | 27260700 |
| eCl@ss 7.0    | 27440402 |
| eCl@ss 8.0    | 27440402 |
| eCl@ss 9.0    | 27440402 |

### ETIM

|          |          |
|----------|----------|
| ETIM 3.0 | EC001121 |
| ETIM 4.0 | EC002637 |
| ETIM 5.0 | EC002637 |
| ETIM 6.0 | EC002637 |
| ETIM 7.0 | EC002637 |

### UNSPSC

|               |          |
|---------------|----------|
| UNSPSC 6.01   | 30211810 |
| UNSPSC 7.0901 | 39121409 |
| UNSPSC 11     | 39121409 |
| UNSPSC 12.01  | 39121409 |
| UNSPSC 13.2   | 39121409 |
| UNSPSC 18.0   | 39121409 |
| UNSPSC 19.0   | 39121409 |
| UNSPSC 20.0   | 39121409 |
| UNSPSC 21.0   | 39121409 |

## Approvals

### Approvals

---

#### Approvals

IECEE CB Scheme / EAC / cULus Recognized / VDE Zeichengenehmigung

---

#### Ex Approvals

---

### Approval details

# Feed-through header - IC 2,5 HC/12-GF-5,08 - 1943522

## Approvals

|                    |                     |   |                |
|--------------------|---------------------|---|----------------|
| IECEE CB Scheme    | <b>CB</b><br>scheme | <a href="http://www.iecee.org/">http://www.iecee.org/</a> | DE1-60988-B1B2 |
| Nominal voltage UN |                     | 250 V   |                |
| Nominal current IN |                     | 16 A  |                |

|     |            |         |
|-----|------------|---------|
| EAC | <b>EAC</b> | B.01687 |
|-----|------------|---------|

|                    |              |   |                 |
|--------------------|--------------|---|-----------------|
| cULus Recognized   | <b>cULus</b> | <a href="http://database.ul.com/cgi-bin/XYV/template/LISEXT/1FRAME/index.htm">http://database.ul.com/cgi-bin/XYV/template/LISEXT/1FRAME/index.htm</a> | E60425-19931014 |
|                    |              | B   | D               |
| Nominal voltage UN |              | 250 V   | 300 V           |
| Nominal current IN |              | 16 A  | 10 A            |

|                        |  |   |          |
|------------------------|--|---|----------|
| VDE Zeichengenehmigung |  | <a href="http://www2.vde.com/de/Institut/Online-Service/VDE-gepruefteProdukte/Seiten/Online-Suche.aspx">http://www2.vde.com/de/Institut/Online-Service/VDE-gepruefteProdukte/Seiten/Online-Suche.aspx</a> | 40050079 |
| Nominal voltage UN     |  | 250 V   |          |
| Nominal current IN     |  | 16 A  |          |

## Accessories

### Accessories

#### Coding element

Coding profile - CP-MSTB - 1734634

Coding profile, is inserted into the slot on the plug or inverted header, red insulating material



#### Insulating sleeve

## Feed-through header - IC 2,5 HC/12-GF-5,08 - 1943522

### Accessories

Insulating sleeve - MPS-IH WH - 0201663

Insulating sleeve, color: white



Insulating sleeve - MPS-IH RD - 0201676

Insulating sleeve, color: red



Insulating sleeve - MPS-IH BU - 0201689

Insulating sleeve, color: blue



Insulating sleeve - MPS-IH YE - 0201692

Insulating sleeve, color: yellow



Insulating sleeve - MPS-IH GN - 0201702

Insulating sleeve, color: green



## Feed-through header - IC 2,5 HC/12-GF-5,08 - 1943522

### Accessories

Insulating sleeve - MPS-IH BK - 0201731

Insulating sleeve, color: black



---

Test plug terminal block

Reducing plug - RPS - 0201647



Reducing plug, color: gray

---

Test plugs - MPS-MT - 0201744



Test plugs, with solder connection up to 1 mm<sup>2</sup> conductor cross section, color: gray

---

Additional products

Printed-circuit board connector - FKIC 2,5 HC/12-STF-5,08 - 1942808



PCB connector, nominal current: 16 A, rated voltage (III/2): 320 V, nominal cross section: 2.5 mm<sup>2</sup>, number of positions: 12, pitch: 5.08 mm, connection method: Push-in spring connection, color: green, contact surface: Tin

---

Phoenix Contact 2020 © - all rights reserved  
<http://www.phoenixcontact.com>

PHOENIX CONTACT GmbH & Co. KG  
Flachsmarktstr. 8  
32825 Blomberg  
Germany  
Tel. +49 5235 300  
Fax +49 5235 3 41200  
<http://www.phoenixcontact.com>



# Mouser Electronics

Authorized Distributor

Click to View Pricing, Inventory, Delivery & Lifecycle Information:

[Phoenix Contact:](#)

[1943522](#)