

# Printed-circuit board connector - GIC 2,5/ 9-STGF-7,62 - 1849956

Please be informed that the data shown in this PDF Document is generated from our Online Catalog. Please find the complete data in the user's documentation. Our General Terms of Use for Downloads are valid (<http://phoenixcontact.com/download>)

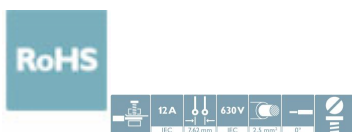
PCB connector, nominal current: 12 A, rated voltage (III/2): 630 V, nominal cross section: 2.5 mm<sup>2</sup>, number of positions: 9, pitch: 7.62 mm, connection method: Screw connection with tension sleeve, color: green, contact surface: Tin



The figure shows a 10-position version of the product

## Your advantages

- Plug-in direction parallel to the conductor axis
- Plug for shock-proof 630 V applications (III/2)
- Well-known connection principle allows worldwide use
- Low temperature rise, thanks to maximum contact force
- Larger pitch for increased voltage requirements
- Inverted connector with pin contacts for touch-proof device outputs or free-hanging cable/cable connections



## Key Commercial Data

|              |               |
|--------------|---------------|
| Packing unit | 50 pc         |
| GTIN         |               |
| GTIN         | 4017918105792 |

## Technical data

### Item properties

|                           |                                      |
|---------------------------|--------------------------------------|
| Brief article description | Printed-circuit board connector      |
| Plug-in system            | CLASSIC COMBICON                     |
| Type of contact           | Male connector                       |
| Range of articles         | GIC 2,5/...-STGF                     |
| Pitch                     | 7.62 mm                              |
| Number of positions       | 9                                    |
| Connection method         | Screw connection with tension sleeve |
| Drive form screw head     | Slotted (L)                          |
| Screw thread              | M3                                   |

# Printed-circuit board connector - GIC 2,5/ 9-STGF-7,62 - 1849956

## Technical data

### Item properties

|                       |                 |
|-----------------------|-----------------|
| Locking               | Threaded flange |
| Number of levels      | 1               |
| Number of connections | 9               |
| Number of potentials  | 9               |

### Electrical parameters

|                             |        |
|-----------------------------|--------|
| Nominal current             | 12 A   |
| Nom. voltage                | 630 V  |
| Rated voltage               | 400 V  |
| Rated voltage (III/2)       | 630 V  |
| Rated voltage (II/2)        | 1000 V |
| Rated surge voltage (III/3) | 6 kV   |
| Rated surge voltage (III/2) | 6 kV   |
| Rated surge voltage (II/2)  | 6 kV   |

### Connection capacity

|   |  |
|---|--|
| Connection method   | Screw connection with tension sleeve         |
| pluggable   | Yes  |
| Conductor cross section solid   | 0.2 mm <sup>2</sup> ... 2.5 mm <sup>2</sup>  |
| Conductor cross section flexible  | 0.2 mm <sup>2</sup> ... 2.5 mm <sup>2</sup>  |
| Conductor cross section AWG / kcmil   | 24 ... 12                                    |
| Conductor cross section flexible, with ferrule without plastic sleeve                     | 0.25 mm <sup>2</sup> ... 2.5 mm <sup>2</sup> |
| Conductor cross section, flexible, with ferrule, with plastic sleeve                      | 0.25 mm <sup>2</sup> ... 2.5 mm <sup>2</sup> |
| 2 conductors with same cross section, solid   | 0.2 mm <sup>2</sup> ... 1 mm <sup>2</sup>    |
| 2 conductors with same cross section, flexible  | 0.2 mm <sup>2</sup> ... 1.5 mm <sup>2</sup>  |
| 2 conductors with same cross section, flexible, with ferrule without plastic sleeve       | 0.25 mm <sup>2</sup> ... 1 mm <sup>2</sup>   |
| 2 conductors with the same cross section, flexible, with TWIN ferrule with plastic sleeve | 0.5 mm <sup>2</sup> ... 1 mm <sup>2</sup>    |
| Stripping length  | 7 mm   |
| Torque  | 0.5 Nm ... 0.6 Nm                            |

### Flange specifications

|                 |                 |
|-----------------|-----------------|
| Type of locking | Screw locking   |
| Mounting flange | Threaded flange |
| Torque          | 0.3 Nm          |

### Material data - contact

|   |   |
|---|---|
| Note  | WEEE/RoHS-compliant, free of whiskers according to IEC 60068-2-82/ JEDEC JESD 201 |
| Contact material                            | Cu alloy  |
| Surface characteristics                     | Tin-plated  |
| Metal surface terminal point (top layer)    | Tin (5 - 7 µm Sn)   |
| Metal surface terminal point (middle layer) | Nickel (2 - 3 µm Ni)  |

# Printed-circuit board connector - GIC 2,5/ 9-STGF-7,62 - 1849956

## Technical data

### Material data - contact

|   |                       |
|---|-----------------------|
| Metal surface contact area (top layer)    | Tin (5 - 7 µm Sn)     |
| Metal surface contact area (middle layer) | Nickel (2 - 3 µm Ni), |

### Material data - housing

|   |              |
|---|--------------|
| Housing color   | green (6021) |
| Insulating material   | PA           |
| Insulating material group   | I            |
| CTI according to IEC 60112  | 600          |
| Flammability rating according to UL 94                            | V0           |
| Glow wire flammability index GWFI according to EN 60695-2-12      | 850          |
| Glow wire ignition temperature GWIT according to EN 60695-2-13    | 775          |
| Temperature for the ball pressure test according to EN 60695-10-2 | 125 °C       |

### Dimensions for the product

|                             |          |
|-----------------------------|----------|
| Length [ l ]                | 19.2 mm  |
| Width [ w ]                 | 78.96 mm |
| Height [ h ]                | 15 mm    |
| Pitch                       | 7.62 mm  |
| Height (without solder pin) | 15 mm    |

### Packaging information

|                            |                     |
|----------------------------|---------------------|
| Type of packaging          | packed in cardboard |
| Pieces per package         | 50                  |
| Denomination packing units | Pcs.                |

### General product information

|      |  |
|------|--|
| Note | In accordance with IEC 61984, COMBICON connectors have no switching power (COC). During designated use, they must not be plugged in or disconnected when carrying voltage or under load. |
|      | In accordance with IEC 61984, COMBICON connectors have no switching power (COC). During designated use, they must not be plugged in or disconnected when carrying voltage or under load. |

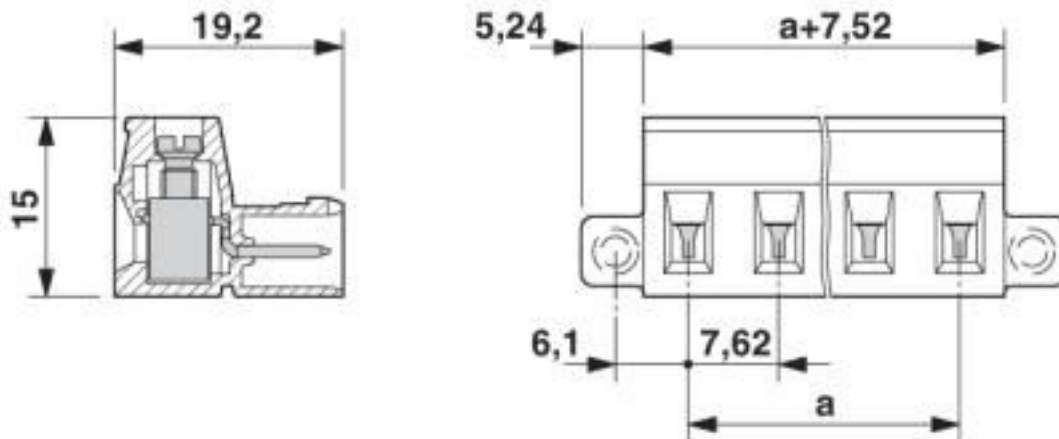
### Environmental Product Compliance

|            |   |
|------------|---|
| REACH SVHC | Lead 7439-92-1  |
| China RoHS | Environmentally Friendly Use Period = 50 years  |
|            | For details about hazardous substances go to tab "Downloads", Category "Manufacturer's declaration" |

## Drawings

# Printed-circuit board connector - GIC 2,5/ 9-STGF-7,62 - 1849956

Dimensional drawing



## Classifications

### eCl@ss

|               |          |
|---------------|----------|
| eCl@ss 10.0.1 | 27440309 |
| eCl@ss 4.0    | 27260700 |
| eCl@ss 4.1    | 27260700 |
| eCl@ss 5.0    | 27260700 |
| eCl@ss 5.1    | 27260700 |
| eCl@ss 6.0    | 27260700 |
| eCl@ss 7.0    | 27440309 |
| eCl@ss 8.0    | 27440309 |
| eCl@ss 9.0    | 27440309 |

### ETIM

|          |          |
|----------|----------|
| ETIM 3.0 | EC001121 |
| ETIM 4.0 | EC002638 |
| ETIM 5.0 | EC002638 |
| ETIM 6.0 | EC002638 |
| ETIM 7.0 | EC002638 |

### UNSPSC

|               |          |
|---------------|----------|
| UNSPSC 6.01   | 30211810 |
| UNSPSC 7.0901 | 39121409 |
| UNSPSC 11     | 39121409 |
| UNSPSC 12.01  | 39121409 |
| UNSPSC 13.2   | 39121409 |
| UNSPSC 18.0   | 39121409 |
| UNSPSC 19.0   | 39121409 |
| UNSPSC 20.0   | 39121409 |
| UNSPSC 21.0   | 39121409 |

# Printed-circuit board connector - GIC 2,5/ 9-STGF-7,62 - 1849956

## Approvals


### Approvals


#### Approvals

CSA / IEC EE CB Scheme / EAC / cULus Recognized / VDE Zeichengenehmigung


#### Ex Approvals

### Approval details

|                            |   |   |       |
|----------------------------|---|---|-------|
| CSA                        |  | <a href="http://www.csagroup.org/services-industries/product-listing/">http://www.csagroup.org/services-industries/product-listing/</a> | 13631 |
|                            |   | B   | D     |
| Nominal voltage UN         |   | 300 V   | 300 V |
| Nominal current IN         |   | 10 A  | 10 A  |
| mm <sup>2</sup> /AWG/kcmil |   | 28-12   | 28-12 |

|                            |   |   |                |
|----------------------------|---|---|----------------|
| IECEE CB Scheme            |  | <a href="http://www.iecee.org/">http://www.iecee.org/</a> | DE1-60988-B1B2 |
| Nominal voltage UN         |   | 400 V   |                |
| Nominal current IN         |   | 12 A  |                |
| mm <sup>2</sup> /AWG/kcmil |   | 0.2-2.5   |                |

|     |   |  |         |
|-----|---|--|---------|
| EAC |  |  | B.01687 |
|-----|---|--|---------|

|                            |   |   |                 |
|----------------------------|---|---|-----------------|
| cULus Recognized           |  | <a href="http://database.ul.com/cgi-bin/XYV/template/LISEXT/1FRAME/index.htm">http://database.ul.com/cgi-bin/XYV/template/LISEXT/1FRAME/index.htm</a> | E60425-19931014 |
|                            |   | B   | D               |
| Nominal voltage UN         |   | 250 V   | 300 V           |
| Nominal current IN         |   | 12 A  | 10 A            |
| mm <sup>2</sup> /AWG/kcmil |   | 30-12   | 30-12           |

# Printed-circuit board connector - GIC 2,5/ 9-STGF-7,62 - 1849956

## Approvals

|                            |  |   |          |
|----------------------------|--|---|----------|
| VDE Zeichengenehmigung     |  | <a href="http://www2.vde.com/de/Institut/Online-Service/VDE-gepruefteProdukte/Seiten/Online-Suche.aspx">http://www2.vde.com/de/Institut/Online-Service/VDE-gepruefteProdukte/Seiten/Online-Suche.aspx</a> | 40050646 |
| Nominal voltage UN         |  | 400 V   |          |
| Nominal current IN         |  | 12 A  |          |
| mm <sup>2</sup> /AWG/kcmil |  | 0.2-2.5   |          |

## Accessories

### Accessories

#### Coding element

Coding section - CR-MSTB - 1734401

Coding section, inserted into the recess in the header or the inverted plug, red insulating material



#### Filler plug

Accessories - MSTB-BL - 1755477



Keying cap, for forming sections, plugs onto header pin, green insulating material

#### Labeled terminal marker

Marker card - SK 7,62/3,8:FORTL.ZAHLEN - 0804549

Marker card, Card, white, labeled, horizontal: consecutive numbers 1 ... 10, 11 ... 20, etc. up to 91 ... 100, mounting type: adhesive, for terminal block width: 7.62 mm, lettering field size: 7.62 x 3.8 mm



#### Screwdriver tools

## Printed-circuit board connector - GIC 2,5/ 9-STGF-7,62 - 1849956

### Accessories

Screwdriver - SZS 0,6X3,5 - 1205053



Actuation tool, for ST terminal blocks, insulated, also suitable for use as a bladed screwdriver, size: 0.6 x 3.5 x 100 mm, 2-component grip, with non-slip grip

---

### Additional products

Printed-circuit board connector - FRONT-GMSTB 2,5/ 9-STF-7,62 - 1806070

PCB connector, nominal current: 12 A, rated voltage (III/2): 630 V, nominal cross section: 2.5 mm<sup>2</sup>, number of positions: 9, pitch: 7.62 mm, connection method: Front screw connection, color: green, contact surface: Tin



---

Printed-circuit board connector - GMSTB 2,5/ 9-STF-7,62 - 1858837

PCB connector, nominal current: 12 A, rated voltage (III/2): 630 V, nominal cross section: 2.5 mm<sup>2</sup>, number of positions: 9, pitch: 7.62 mm, connection method: Screw connection with tension sleeve, color: green, contact surface: Tin



---

Printed-circuit board connector - GMVSTBW 2,5/ 9-STF-7,62 - 1848067

PCB connector, nominal current: 12 A, rated voltage (III/2): 630 V, nominal cross section: 2.5 mm<sup>2</sup>, number of positions: 9, pitch: 7.62 mm, connection method: Screw connection with tension sleeve, color: green, contact surface: Tin



---

Printed-circuit board connector - GMVSTBR 2,5/ 9-STF-7,62 - 1847958

PCB connector, nominal current: 12 A, rated voltage (III/2): 630 V, nominal cross section: 2.5 mm<sup>2</sup>, number of positions: 9, pitch: 7.62 mm, connection method: Screw connection with tension sleeve, color: green, contact surface: Tin



Phoenix Contact 2020 © - all rights reserved  
<http://www.phoenixcontact.com>

PHOENIX CONTACT GmbH & Co. KG  
Flachmarktstr. 8  
32825 Blomberg  
Germany  
Tel. +49 5235 300  
Fax +49 5235 3 41200  
<http://www.phoenixcontact.com>



# Mouser Electronics

Authorized Distributor

Click to View Pricing, Inventory, Delivery & Lifecycle Information:

[Phoenix Contact:](#)

[1849956](#)