

Printed-circuit board connector - DMCV 0,5/ 3-G1-2,54 SMD R24 - 1845182

Please be informed that the data shown in this PDF Document is generated from our Online Catalog. Please find the complete data in the user's documentation. Our General Terms of Use for Downloads are valid (<http://phoenixcontact.com/download>)




PCB headers, nominal current: 6 A, rated voltage (III/2): 160 V, nominal cross section: 0.5 mm², number of positions: 3, pitch: 2.54 mm, color: black, contact surface: Gold, mounting: SMD soldering, pin layout: Linear pad geometry, solder pin [P]: 2 mm, Sample values available under SAMPLE DMC...

Your advantages

- ✓ Gold-plated contacts ensure transfer quality remains stable over the long term
- ✓ Designed for integration into the SMT soldering process
- ✓ Vertical connection enables multi-row arrangement on the PCB
- ✓ Integrated solder anchors reduce the mechanical strain on the soldering spots
- ✓ Small component size for applications where space is at a premium
- ✓ Supplied in tape-on-reel packing according to IEC 60286-3 for automated mounting



Key Commercial Data

| | |
|------------------------|---|
| Packing unit | 330 pc |
| Minimum order quantity | 330 pc |
| GTIN |  4 046356 965019 |
| GTIN | 4046356965019 |

Technical data

Item properties

| | |
|---------------------------|---------------------------|
| Brief article description | Feed-through header |
| Plug-in system | MICRO COMBICON - DFMC 0,5 |
| Type of contact | Male connector |
| Range of articles | DMCV 0,5/...-G1-SMD |
| Pitch | 2.54 mm |
| Number of positions | 3 |
| Mounting type | SMD soldering |
| Pin layout | Linear pad geometry |

Printed-circuit board connector - DMCV 0,5/ 3-G1-2,54 SMD R24 - 1845182

Technical data

Item properties

| | |
|-----------------------|---------|
| Locking | without |
| Number of levels | 2 |
| Number of connections | 6 |
| Number of potentials | 6 |

Electrical parameters

| | |
|-----------------------------|--------|
| Nominal current | 6 A |
| Nom. voltage | 160 V |
| Rated voltage | 32 V |
| Rated voltage (III/2) | 160 V |
| Rated voltage (II/2) | 160 V |
| Rated surge voltage (III/3) | 2.5 kV |
| Rated surge voltage (III/2) | 2.5 kV |
| Rated surge voltage (II/2) | 2.5 kV |

Material data - contact

| | |
|---|---|
| Note | WEEE/RoHS-compliant, free of whiskers according to IEC 60068-2-82/ JEDEC JESD 201 |
| Contact material | Cu alloy |
| Surface characteristics | Completely gold-plated |
| Metal surface contact area (top layer) | Gold (0.25 Au) |
| Metal surface contact area (middle layer) | Nickel (2 - 4 µm Ni), |
| Metal surface soldering area (top layer) | Gold (0.25 Au) |
| Metal surface soldering area (middle layer) | Nickel (2 - 4 µm Ni) |

Material data - housing

| | |
|--|--------------|
| Housing color | black (9005) |
| Insulating material | LCP |
| Insulating material group | IIIa |
| CTI according to IEC 60112 | 175 |
| Flammability rating according to UL 94 | V0 |

Dimensions for the product

| | |
|-----------------------------|----------------|
| Length [l] | 7.39 mm |
| Width [w] | 12.2 mm |
| Height [h] | 9.1 mm |
| Pitch | 2.54 mm |
| Height (without solder pin) | 7.1 mm |
| Solder pin [P] | 2 mm |
| Pin spacing | 2.54 mm |
| Pin dimensions | 0.64 x 0.64 mm |

Dimensions for PCB design

Printed-circuit board connector - DMCV 0,5/ 3-G1-2,54 SMD R24 - 1845182

Technical data

Dimensions for PCB design

| | |
|---------------|---------|
| Hole diameter | 1.2 mm |
| Pin spacing | 2.54 mm |

Packaging information

| | |
|-----------------------------|--|
| Type of packaging | 24 mm wide tape |
| Pieces per package | 330 |
| Denomination packing units | Pcs. |
| [W] tape width | 24 mm |
| [A] coil diameter | 330 mm |
| [W2] coil overall dimension | 30.4 mm |
| Outer packaging type | Transparent-Bag |
| ESD level | (D) electrostatically conductive |
| Specification | DIN EN 61340-5-1 (VDE 0300-5-1): 2008-07 |

Processing notes

| | |
|---|--|
| Process | Reflow soldering |
| Specification | Following IPC/JEDEC J-STD-020D.1:2008-03 |
| | Following IEC 60068-2-58:2005-02 |
| Moisture Sensitive Level | MSL 1 |
| Classification temperature T _c | 260 °C |
| Solder cycles in the reflow | 3 |

Ambient conditions

| | |
|---|---|
| Ambient temperature (storage/transport) | -40 °C ... 70 °C |
| Ambient temperature (assembly) | -5 °C ... 100 °C |
| Ambient temperature (operation) | -40 °C ... 105 °C (dependent on the derating curve) |

Air clearances and creepage distances

| | |
|---|---------------------|
| Clearances and creepage distances | IEC 60664-1:2007-04 |
| Specification | IEC 60664-1:2007-04 |
| Minimum clearance - inhomogeneous field (III/3) | 1.5 mm |
| Minimum clearance - inhomogeneous field (III/2) | 1.5 mm |
| Minimum clearance - inhomogeneous field (II/2) | 1.5 mm |
| Minimum creepage distance value (III/3) | 1.5 mm |
| Minimum creepage distance value (III/2) | 1.6 mm |
| Minimum creepage distance value (II/2) | 1.6 mm |

Mechanical tests (A)

| | |
|--|-------------|
| Test specification | IEC 61984 |
| Insertion strength per pos. approx. | 2 N |
| Withdraw strength per pos. approx. | 1 N |
| Polarization when inserted requirement >20 N | Test passed |

Printed-circuit board connector - DMCV 0,5/ 3-G1-2,54 SMD R24 - 1845182

Technical data

Mechanical tests (A)

| | |
|---|-------------|
| Contact holder in insert requirements >20 N | Test passed |
|---|-------------|

Durability tests (B)

| | |
|--|-----------------------|
| Specification | IEC 60512-9-1:2010-03 |
| Contact resistance R ₁ | 2.5 mΩ |
| Insertion/withdrawal cycles | 100 |
| Contact resistance R ₂ | 2.7 mΩ |
| Impulse withstand voltage at sea level | 2.95 kV |
| Power-frequency withstand voltage | 1.39 kV |
| Insulation resistance, neighboring positions | > 7 GΩ |

Thermal tests (C)

| | |
|---|-----------------------|
| Specification | IEC 60512-5-1:2002-02 |
| Number of positions | 16 |
| Conductor cross section | 0.5 mm ² |
| Test current | 6 A |
| Upper limiting temperature requirements <100 °C | Test passed |

Climatic tests (D)

| | |
|--|--|
| Specification | DIN 50018:2013-05 |
| Cold stress | -40 °C/2 h |
| Thermal stress | 105 °C/168 h |
| Corrosive stress | 1.0 dm ³ SO ₂ on 300 dm ³ /40 °C/3 cycles |
| Impulse withstand voltage at sea level | 2.95 kV |
| Power-frequency withstand voltage | 1.39 kV |

Environmental and durability tests (E)

| | |
|---------------------------------------|-------------------------------------|
| Specification | IEC 61984:2008-10 |
| Result, degree of protection, IP code | Finger safety with IP20 test finger |

Vibration test

| | |
|------------------------|------------------------|
| Specification | IEC 60068-2-6:2007-12 |
| Result | Test passed |
| Frequency | 10 - 500 - 10 Hz |
| Sweep speed | 1 octave/min |
| Amplitude | 0.35 mm (10 - 60.1 Hz) |
| Acceleration | 5g (60.1 - 500 Hz) |
| Test duration per axis | 2 h |

Standards and Regulations

| | |
|--|--------|
| Connection in acc. with standard | EN-VDE |
| Flammability rating according to UL 94 | V0 |

Printed-circuit board connector - DMCV 0,5/ 3-G1-2,54 SMD R24 - 1845182

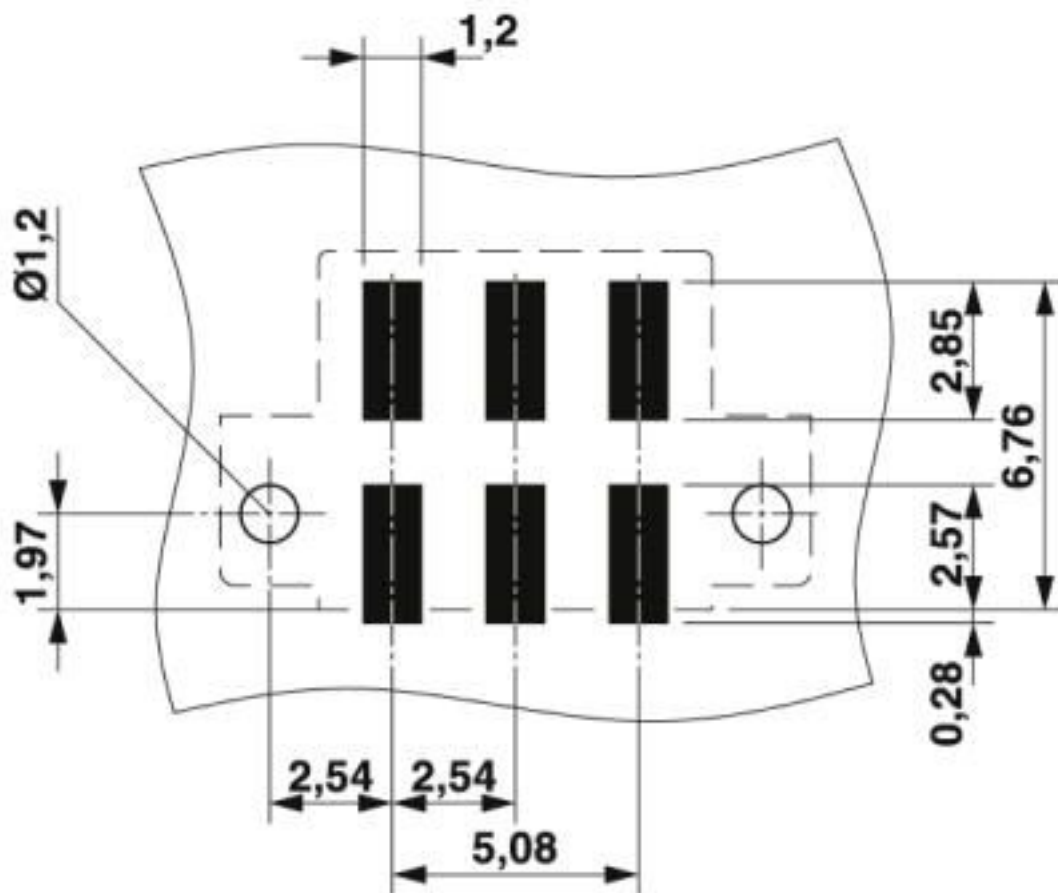
Technical data

Environmental Product Compliance

| | |
|------------|---|
| China RoHS | Environmentally friendly use period: unlimited = EFUP-e |
| | No hazardous substances above threshold values |

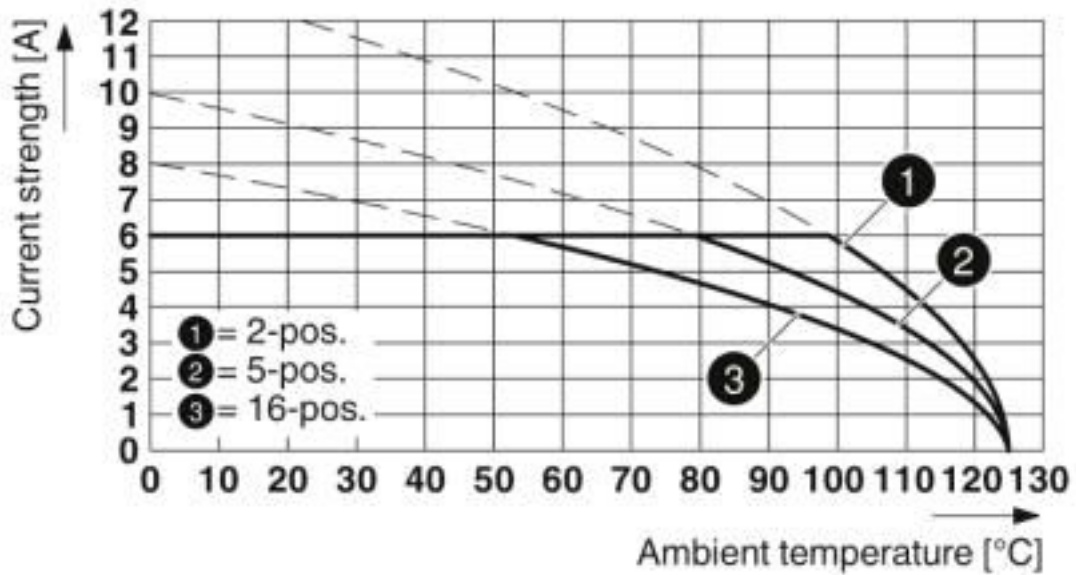
Drawings

Drilling diagram



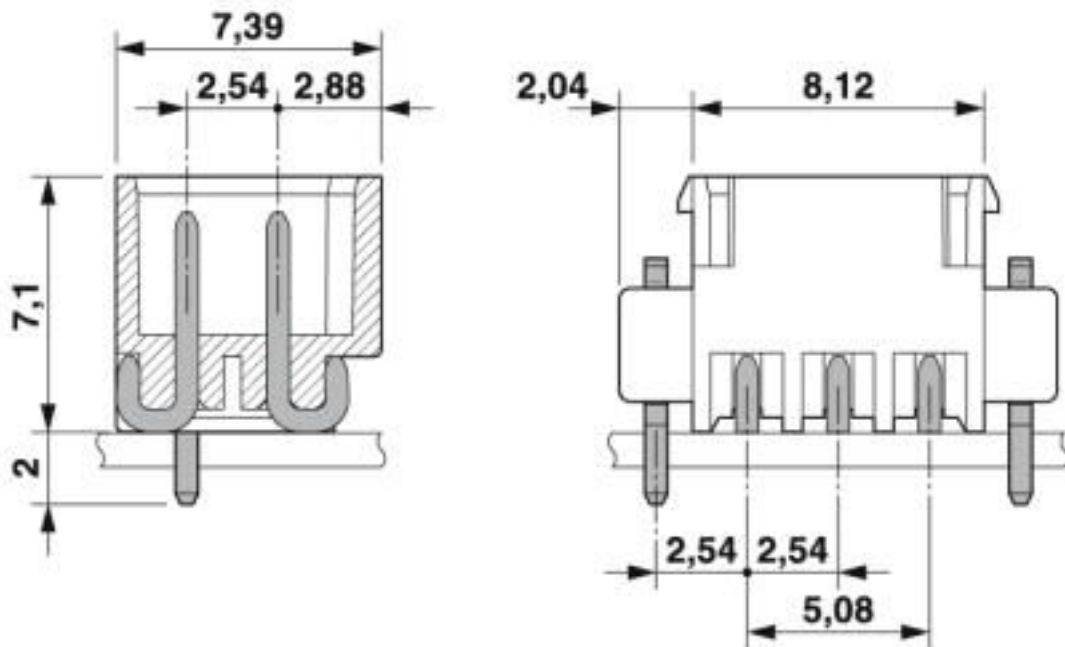
Printed-circuit board connector - DMCV 0,5/ 3-G1-2,54 SMD R24 - 1845182

Diagram



Type: DFMC 0,5/...-ST-2,54 with DMCV 0,5/...-G1-2,54 SMD R...

Dimensional drawing



Classifications

eCl@ss

eCl@ss 10.0.1

27440402

Printed-circuit board connector - DMCV 0,5/ 3-G1-2,54 SMD R24 - 1845182

Classifications

eCl@ss

| | |
|------------|----------|
| eCl@ss 4.0 | 27260700 |
| eCl@ss 4.1 | 27260700 |
| eCl@ss 5.0 | 27260700 |
| eCl@ss 5.1 | 27260700 |
| eCl@ss 6.0 | 27260700 |
| eCl@ss 7.0 | 27440402 |
| eCl@ss 8.0 | 27440402 |
| eCl@ss 9.0 | 27440402 |

ETIM

| | |
|----------|----------|
| ETIM 4.0 | EC002637 |
| ETIM 5.0 | EC002637 |
| ETIM 6.0 | EC002637 |
| ETIM 7.0 | EC002637 |

UNSPSC

| | |
|-------------|----------|
| UNSPSC 13.2 | 39121409 |
| UNSPSC 18.0 | 39121409 |
| UNSPSC 19.0 | 39121409 |
| UNSPSC 20.0 | 39121409 |
| UNSPSC 21.0 | 39121409 |

Approvals


Approvals

Approvals

IECEE CB Scheme / VDE Gutachten mit Fertigungsüberwachung / EAC / cULus Recognized

Ex Approvals

Approval details

| | | | |
|--------------------|---|---|--------------|
| IECEE CB Scheme |  | http://www.iecee.org/ | DE1-59151-M1 |
| Nominal voltage UN | 160 V | | |
| Nominal current IN | 6 A | | |

Printed-circuit board connector - DMCV 0,5/ 3-G1-2,54 SMD R24 - 1845182

Approvals

| | | | |
|--|--|--|----------|
| VDE Gutachten mit Fertigungsüberwachung | | http://www2.vde.com/de/Institut/Online-Service/ VDE-gepruefteProdukte/Seiten/Online-Suche.aspx | 40042389 |
| Nominal voltage UN | | 160 V | |
| Nominal current IN | | 6 A | |

| | | |
|-----|--|---------|
| EAC | | B.01687 |
|-----|--|---------|

| | | | |
|--------------------|-------|---|-----------------|
| cULus Recognized | | http://database.ul.com/cgi-bin/XYV/template/LISEXT/1FRAME/index.htm | E60425-19920306 |
| | B | C | |
| Nominal voltage UN | 150 V | 50 V | |
| Nominal current IN | 6 A | 6 A | |

Accessories

Accessories

Labeled terminal marker

Marker card - SK 2,54/2,8:FORTL.ZAHLEN - 0804853



Marker card, Card, white, labeled, horizontal: consecutive numbers 1 ... 10, 11 ... 20, etc. up to 91 ... 99, mounting type: adhesive, for terminal block width: 2.54 mm, lettering field size: 2.54 x 2.8 mm

PCB headers

Sample set - SAMPLE DMCV 0,5/ 3-G1-2,54 SMD - 1859958



PCB headers, nominal current: 6 A, rated voltage (III/2): 160 V, nominal cross section: 0.5 mm², number of positions: 3, pitch: 2.54 mm, color: black, contact surface: Gold, mounting: SMD soldering, pin layout: Linear pad geometry

Additional products

Printed-circuit board connector - DMCV 0,5/ 3-G1-2,54 SMD R24 - 1845182

Accessories

Printed-circuit board connector - DFMC 0,5/ 3-ST-2,54 - 1844581



Plug, nominal current: 6 A, rated voltage (III/2): 160 V, number of positions: 3 with 6 contacts, pitch: 2.54 mm, connection method: spring connection, color: black, contact surface: gold

Phoenix Contact 2020 © - all rights reserved
<http://www.phoenixcontact.com>

PHOENIX CONTACT GmbH & Co. KG
Flachsmarktstr. 8
32825 Blomberg
Germany
Tel. +49 5235 300
Fax +49 5235 3 41200
<http://www.phoenixcontact.com>

Mouser Electronics

Authorized Distributor

Click to View Pricing, Inventory, Delivery & Lifecycle Information:

[Phoenix Contact:](#)

[1845182](#)