

Printed-circuit board connector - DMCV 0,5/11-G1-2,54 P20THR R56 - 1844963

Please be informed that the data shown in this PDF Document is generated from our Online Catalog. Please find the complete data in the user's documentation. Our General Terms of Use for Downloads are valid (<http://phoenixcontact.com/download>)

PCB headers, nominal current: 6 A, rated voltage (III/2): 160 V, nominal cross section: 0.5 mm², number of positions: 11, pitch: 2.54 mm, color: black, contact surface: Gold, mounting: THR soldering, solder pin [P]: 2 mm, Sample values available under SAMPLE DMC...



The figure shows a 10-pos. version with 20 contacts

Your advantages

- ✓ Gold-plated contacts ensure transfer quality remains stable over the long term
- ✓ Designed for integration into the SMT soldering process
- ✓ Vertical connection enables multi-row arrangement on the PCB
- ✓ Small component size for applications where space is at a premium
- ✓ Supplied in tape-on-reel packing according to IEC 60286-3 for automated mounting



Key Commercial Data

| | |
|------------------------|---------------|
| Packing unit | 330 pc |
| Minimum order quantity | 330 pc |
| GTIN | |
| GTIN | 4046356964494 |

Technical data

Item properties

| | |
|---------------------------|---------------------------|
| Brief article description | Feed-through header |
| Plug-in system | MICRO COMBICON - DFMC 0,5 |
| Type of contact | Male connector |
| Range of articles | DMCV 0,5/...-G1-THR |
| Pitch | 2.54 mm |
| Number of positions | 11 |
| Mounting type | THR soldering |
| Locking | without |

Printed-circuit board connector - DMCV 0,5/11-G1-2,54 P20THR R56 - 1844963

Technical data

Item properties

| | |
|-----------------------|----|
| Number of levels | 2 |
| Number of connections | 22 |
| Number of potentials | 22 |

Electrical parameters

| | |
|-----------------------------|--------|
| Nominal current | 6 A |
| Nom. voltage | 160 V |
| Rated voltage | 32 V |
| Rated voltage (III/2) | 160 V |
| Rated voltage (II/2) | 160 V |
| Rated surge voltage (III/3) | 2.5 kV |
| Rated surge voltage (III/2) | 2.5 kV |
| Rated surge voltage (II/2) | 2.5 kV |

Material data - contact

| | |
|---|---|
| Note | WEEE/RoHS-compliant, free of whiskers according to IEC 60068-2-82/ JEDEC JESD 201 |
| Contact material | Cu alloy |
| Surface characteristics | Completely gold-plated |
| Metal surface contact area (top layer) | Gold (0.25 Au) |
| Metal surface contact area (middle layer) | Nickel (2 - 4 µm Ni), |
| Metal surface soldering area (top layer) | Gold (0.25 Au) |
| Metal surface soldering area (middle layer) | Nickel (2 - 4 µm Ni) |

Material data - housing

| | |
|--|--------------|
| Housing color | black (9005) |
| Insulating material | LCP |
| Insulating material group | IIIa |
| CTI according to IEC 60112 | 175 |
| Flammability rating according to UL 94 | V0 |

Dimensions for the product

| | |
|----------------|----------------|
| Length [l] | 7.39 mm |
| Width [w] | 29.24 mm |
| Height [h] | 7.1 mm |
| Pitch | 2.54 mm |
| Solder pin [P] | 2 mm |
| Pin spacing | 2.54 mm |
| Pin dimensions | 0.64 x 0.64 mm |

Dimensions for PCB design

| | |
|---------------|--------|
| Hole diameter | 1.2 mm |
|---------------|--------|

Printed-circuit board connector - DMCV 0,5/11-G1-2,54 P20THR R56 - 1844963

Technical data

Dimensions for PCB design

| | |
|-------------|---------|
| Pin spacing | 2.54 mm |
|-------------|---------|

Packaging information

| | |
|-----------------------------|-----------------|
| Type of packaging | 56 mm wide tape |
| Pieces per package | 330 |
| Denomination packing units | Pcs. |
| [W] tape width | 56 mm |
| [A] coil diameter | 330 mm |
| [W2] coil overall dimension | 62.4 mm |
| Outer packaging type | Transparent-Bag |

Processing notes

| | |
|---|--|
| Process | Reflow/wave soldering |
| Specification | Following IPC/JEDEC J-STD-020D.1:2008-03 |
| | Following IEC 61760-1:2006-04 |
| | Following IEC 60068-2-58:2005-02 |
| Moisture Sensitive Level | MSL 1 |
| Classification temperature T _c | 260 °C |
| Solder cycles in the reflow | 3 |

Ambient conditions

| | |
|---|---|
| Ambient temperature (storage/transport) | -40 °C ... 70 °C |
| Ambient temperature (assembly) | -5 °C ... 100 °C |
| Ambient temperature (operation) | -40 °C ... 100 °C (dependent on the derating curve) |

Air clearances and creepage distances

| | |
|---|---------------------|
| Clearances and creepage distances | IEC 60664-1:2007-04 |
| Specification | IEC 60664-1:2007-04 |
| Minimum clearance - inhomogeneous field (III/3) | 1.5 mm |
| Minimum clearance - inhomogeneous field (III/2) | 1.5 mm |
| Minimum clearance - inhomogeneous field (II/2) | 1.5 mm |
| Minimum creepage distance value (III/3) | 1.5 mm |
| Minimum creepage distance value (III/2) | 1.6 mm |
| Minimum creepage distance value (II/2) | 1.6 mm |

Mechanical tests (A)

| | |
|--------------------|-----------|
| Test specification | IEC 61984 |
|--------------------|-----------|

Thermal tests (C)

| | |
|-------------------------|-----------------------|
| Specification | IEC 60512-5-1:2002-02 |
| Number of positions | 16 |
| Conductor cross section | 0.5 mm ² |
| Test current | 6 A DC |

Printed-circuit board connector - DMCV 0,5/11-G1-2,54 P20THR R56 - 1844963

Technical data

Thermal tests (C)

| | |
|---|-------------|
| Upper limiting temperature requirements <100 °C | Test passed |
|---|-------------|

Standards and Regulations

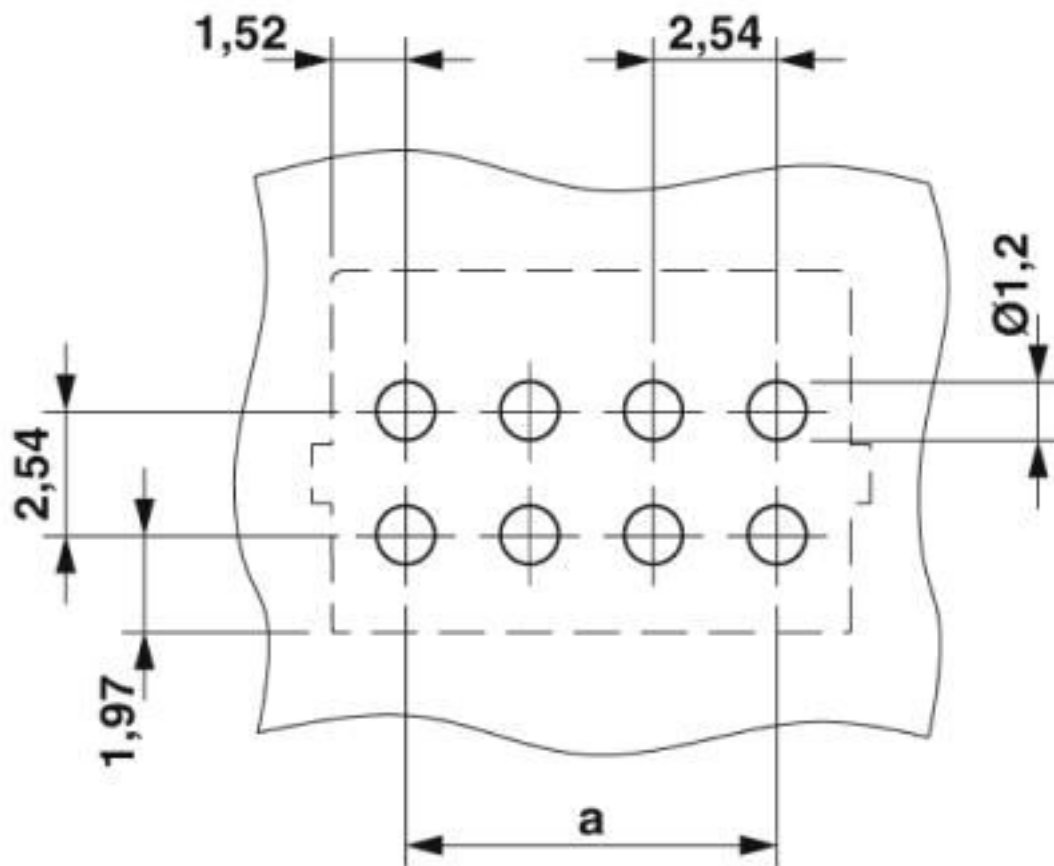
| | |
|--|--------|
| Connection in acc. with standard | EN-VDE |
| Flammability rating according to UL 94 | V0 |

Environmental Product Compliance

| | |
|------------|---|
| China RoHS | Environmentally friendly use period: unlimited = EFUP-e |
| | No hazardous substances above threshold values |

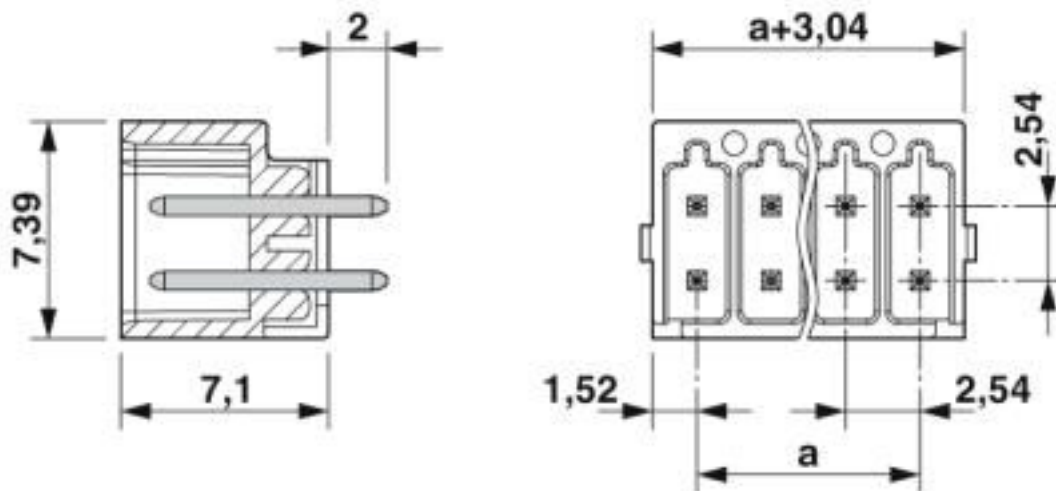
Drawings

Drilling diagram



Printed-circuit board connector - DMCV 0,5/11-G1-2,54 P20THR R56 - 1844963

Dimensional drawing



Classifications

eCl@ss

| | |
|---------------|----------|
| eCl@ss 10.0.1 | 27440402 |
| eCl@ss 4.0 | 27260700 |
| eCl@ss 4.1 | 27260700 |
| eCl@ss 5.0 | 27260700 |
| eCl@ss 5.1 | 27260700 |
| eCl@ss 6.0 | 27260700 |
| eCl@ss 7.0 | 27440402 |
| eCl@ss 8.0 | 27440402 |
| eCl@ss 9.0 | 27440402 |

ETIM

| | |
|----------|----------|
| ETIM 4.0 | EC002637 |
| ETIM 5.0 | EC002637 |
| ETIM 6.0 | EC002637 |
| ETIM 7.0 | EC002637 |

UNSPSC

| | |
|-------------|----------|
| UNSPSC 13.2 | 39121409 |
| UNSPSC 18.0 | 39121409 |
| UNSPSC 19.0 | 39121409 |
| UNSPSC 20.0 | 39121409 |
| UNSPSC 21.0 | 39121409 |

Printed-circuit board connector - DMCV 0,5/11-G1-2,54 P20THR R56 - 1844963

Approvals

Approvals

Approvals

IECEE CB Scheme / VDE Gutachten mit Fertigungsüberwachung / EAC / cULus Recognized

Ex Approvals

Approval details

| | | | |
|--------------------|--|---|--------------|
| IECEE CB Scheme | | http://www.iecee.org/ | DE1-59151-M1 |
| Nominal voltage UN | | 160 V | |
| Nominal current IN | | 6 A | |

| | | | |
|---|--|---|----------|
| VDE Gutachten mit Fertigungsüberwachung | | http://www2.vde.com/de/Institut/Online-Service/VDE-gepruefteProdukte/Seiten/Online-Suche.aspx | 40042389 |
| Nominal voltage UN | | 160 V | |
| Nominal current IN | | 6 A | |

| | | |
|-----|--|---------|
| EAC | | B.01687 |
|-----|--|---------|

| | | | |
|--------------------|--|---|-----------------|
| cULus Recognized | | http://database.ul.com/cgi-bin/XYV/template/LISEXT/1FRAME/index.htm | E60425-19920306 |
| | | B | C |
| Nominal voltage UN | | 150 V | 50 V |
| Nominal current IN | | 6 A | 6 A |

Accessories

Accessories

Labeled terminal marker

Printed-circuit board connector - DMCV 0,5/11-G1-2,54 P20THR R56 - 1844963

Accessories

Marker card - SK 2,54/2,8:FORTL.ZAHLEN - 0804853



Marker card, Card, white, labeled, horizontal: consecutive numbers 1 ... 10, 11 ... 20, etc. up to 91 ... 99, mounting type: adhesive, for terminal block width: 2.54 mm, lettering field size: 2.54 x 2.8 mm

PCB headers

Sample set - SAMPLE DMCV 0,5/11-G1-2,54 THR - 1859738



PCB headers, nominal current: 6 A, rated voltage (III/2): 160 V, nominal cross section: 0.5 mm², number of positions: 11, pitch: 2.54 mm, color: black, contact surface: Gold, mounting: THR soldering, solder pin [P]: 2 mm

Additional products

Printed-circuit board connector - DFMC 0,5/11-ST-2,54 - 1844662



Plug, nominal current: 6 A, rated voltage (III/2): 160 V, number of positions: 11 with 22 contacts, pitch: 2.54 mm, connection method: spring connection, color: black, contact surface: gold

Phoenix Contact 2020 © - all rights reserved
<http://www.phoenixcontact.com>

PHOENIX CONTACT GmbH & Co. KG
Flachsmarktstr. 8
32825 Blomberg
Germany
Tel. +49 5235 300
Fax +49 5235 3 41200
<http://www.phoenixcontact.com>

Mouser Electronics

Authorized Distributor

Click to View Pricing, Inventory, Delivery & Lifecycle Information:

[Phoenix Contact:](#)

[1844963](#)