

Feed-through header - PTSM 0,5/ 4-HH-2,5-THR R32 - 1778641

Please be informed that the data shown in this PDF Document is generated from our Online Catalog. Please find the complete data in the user's documentation. Our General Terms of Use for Downloads are valid (<http://phoenixcontact.com/download>)



PCB headers, nominal current: 6 A, rated voltage (III/2): 160 V, nominal cross section: 0.5 mm², number of positions: 4, pitch: 2.5 mm, color: black, contact surface: Tin, mounting: THR soldering, pin layout: Linear pinning, solder pin [P]: 2.1 mm

The figure shows the 3-pos. version

Your advantages

- Designed for integration into the SMT soldering process
- Supplied in tape-on-reel packing according to IEC 60286-3 for automated mounting



Key Commercial Data

| | |
|------------------------|---------------|
| Packing unit | 500 pc |
| Minimum order quantity | 500 pc |
| GTIN | |
| GTIN | 4046356529822 |

Technical data

Dimensions

| | |
|--------------------------|--------------|
| Length [l] | 7.5 mm |
| Width | 11.7 mm |
| Pitch | 2.5 mm |
| Dimension a | 7.5 mm |
| Width [w] | 11.7 mm |
| Height [h] | 7 mm |
| Installed height | 5 mm |
| Length of the solder pin | 2.1 mm |
| Pin dimensions | 0.6 x 0.6 mm |
| Pin spacing | 2.50 mm |
| Length | 7.5 mm |

General

Feed-through header - PTSM 0,5/ 4-HH-2,5-THR R32 - 1778641

Technical data

General

| | |
|--|--------------------|
| Range of articles | PTSM 0,5/..-HH-THR |
| Insulating material group | IIIa |
| Rated surge voltage (III/3) | 2.5 kV |
| Rated surge voltage (III/2) | 2.5 kV |
| Rated surge voltage (II/2) | 2.5 kV |
| Rated voltage (III/3) | 50 V |
| Rated voltage (III/2) | 160 V |
| Rated voltage (II/2) | 160 V |
| Connection in acc. with standard | EN-VDE |
| Nominal current I_N | 6 A |
| Maximum load current | 6 A |
| Insulating material | LCP |
| Flammability rating according to UL 94 | V0 |
| Color | black |
| Number of positions | 4 |

Standards and Regulations

| | |
|--|--------|
| Connection in acc. with standard | EN-VDE |
| | UL |
| Flammability rating according to UL 94 | V0 |

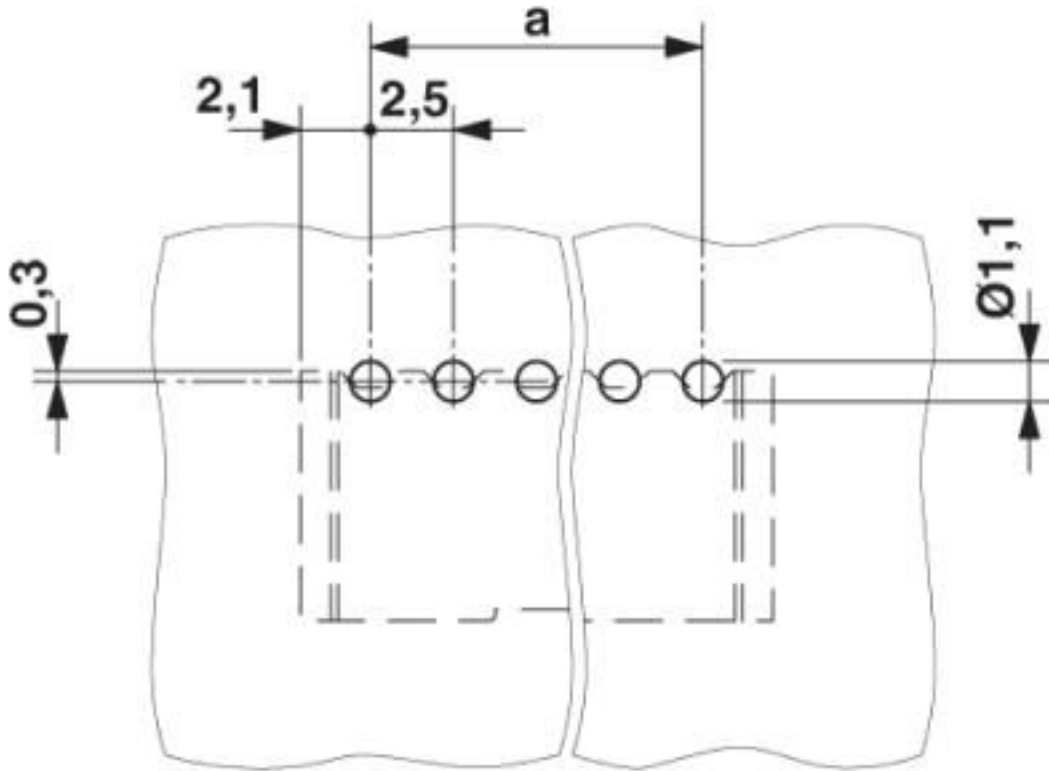
Environmental Product Compliance

| | |
|------------|---|
| China RoHS | Environmentally friendly use period: unlimited = EFUP-e |
| | No hazardous substances above threshold values |

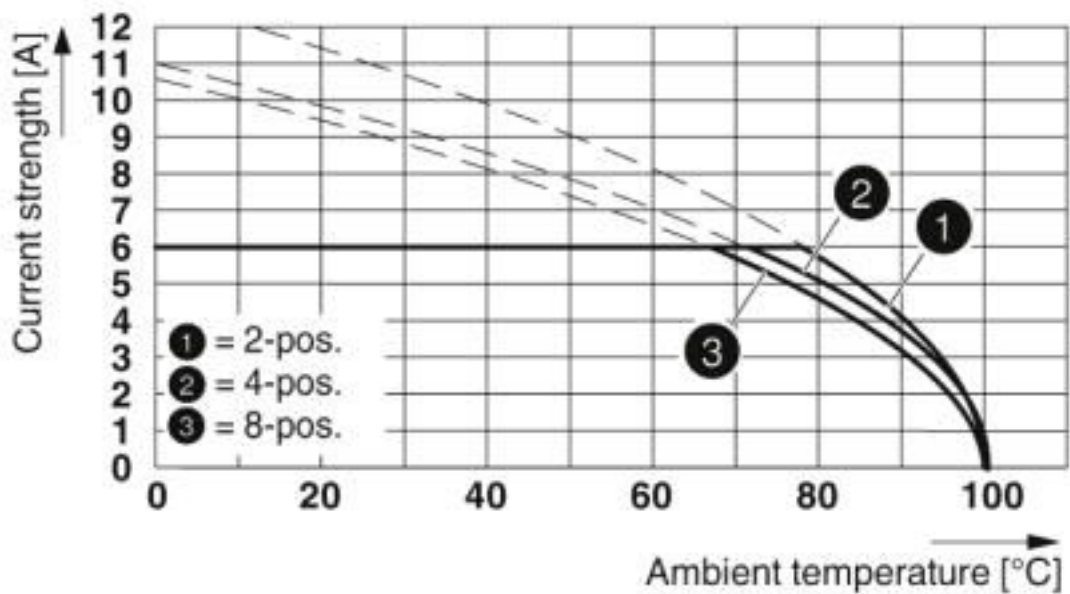
Drawings

Feed-through header - PTSM 0,5/ 4-HH-2,5-THR R32 - 1778641

Drilling diagram



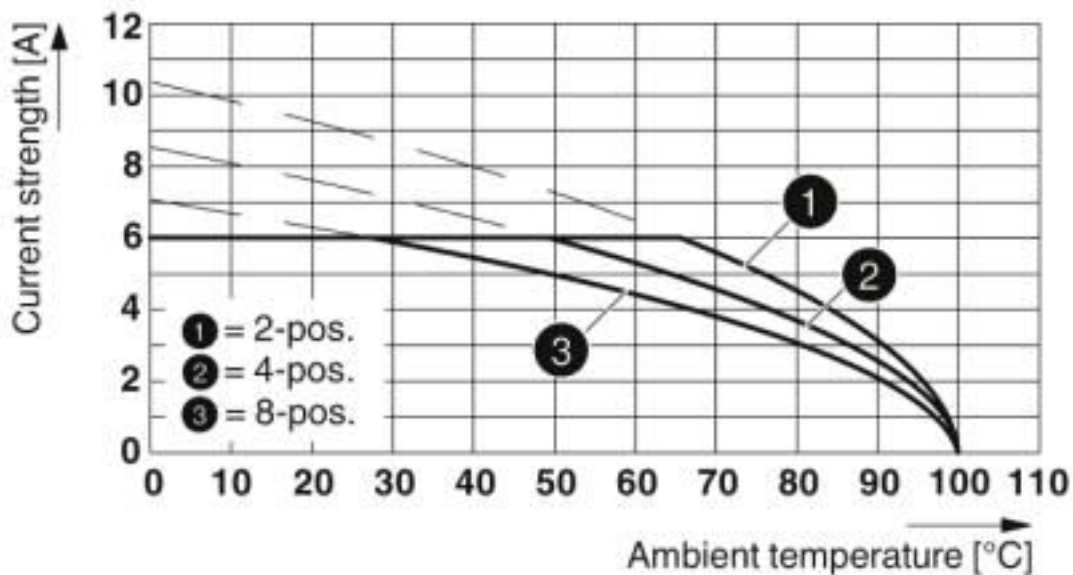
Diagram



Derating curve for: PTSM 0,5/...-P-2,5 with PTSM 0,5/...-HH-2,5-THR R..

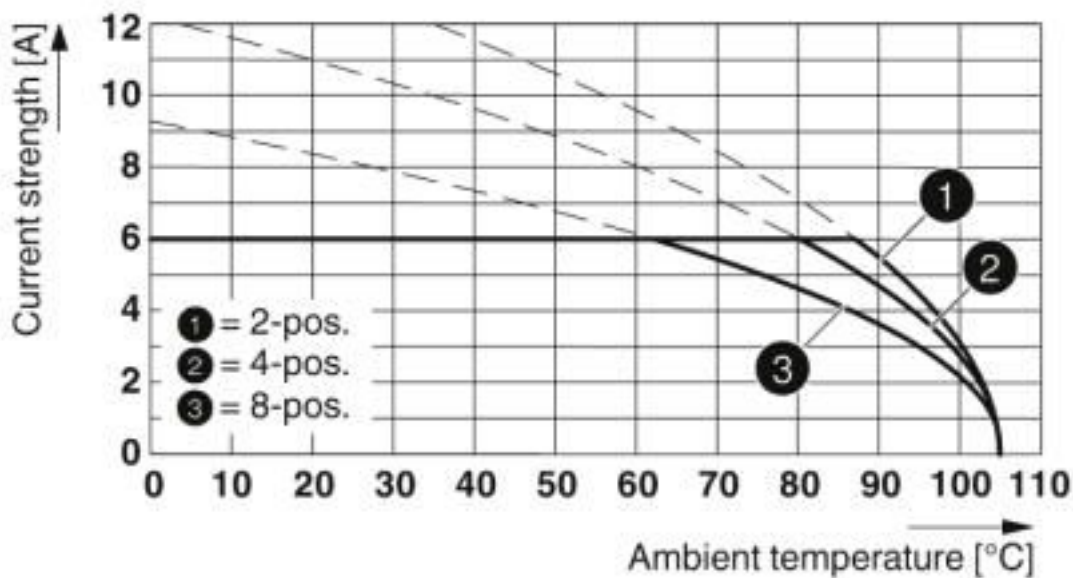
Feed-through header - PTSM 0,5/ 4-HH-2,5-THR R32 - 1778641

Diagram



Type: PTSM 0,5/...-HH1-2,5-THR R... with PTSM 0,5/...-HH-2,5-THR R...

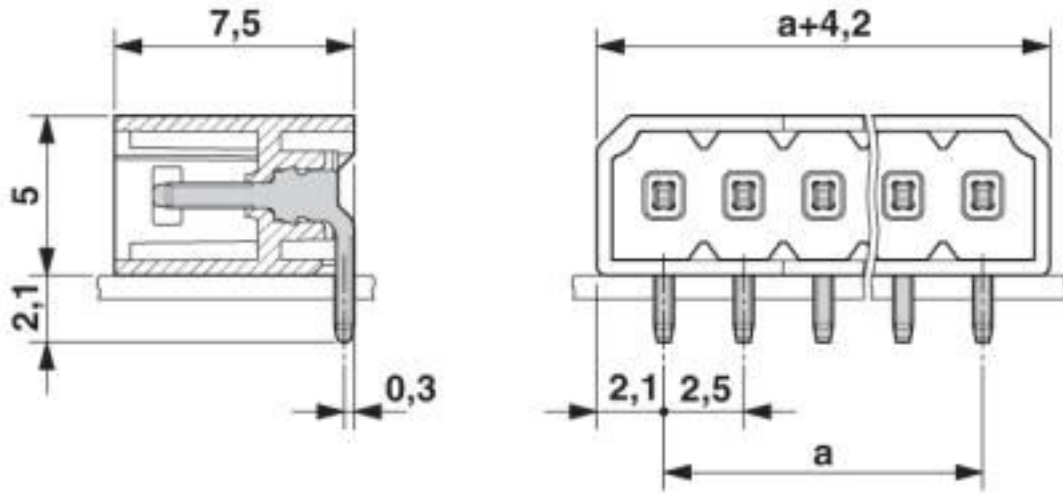
Diagram



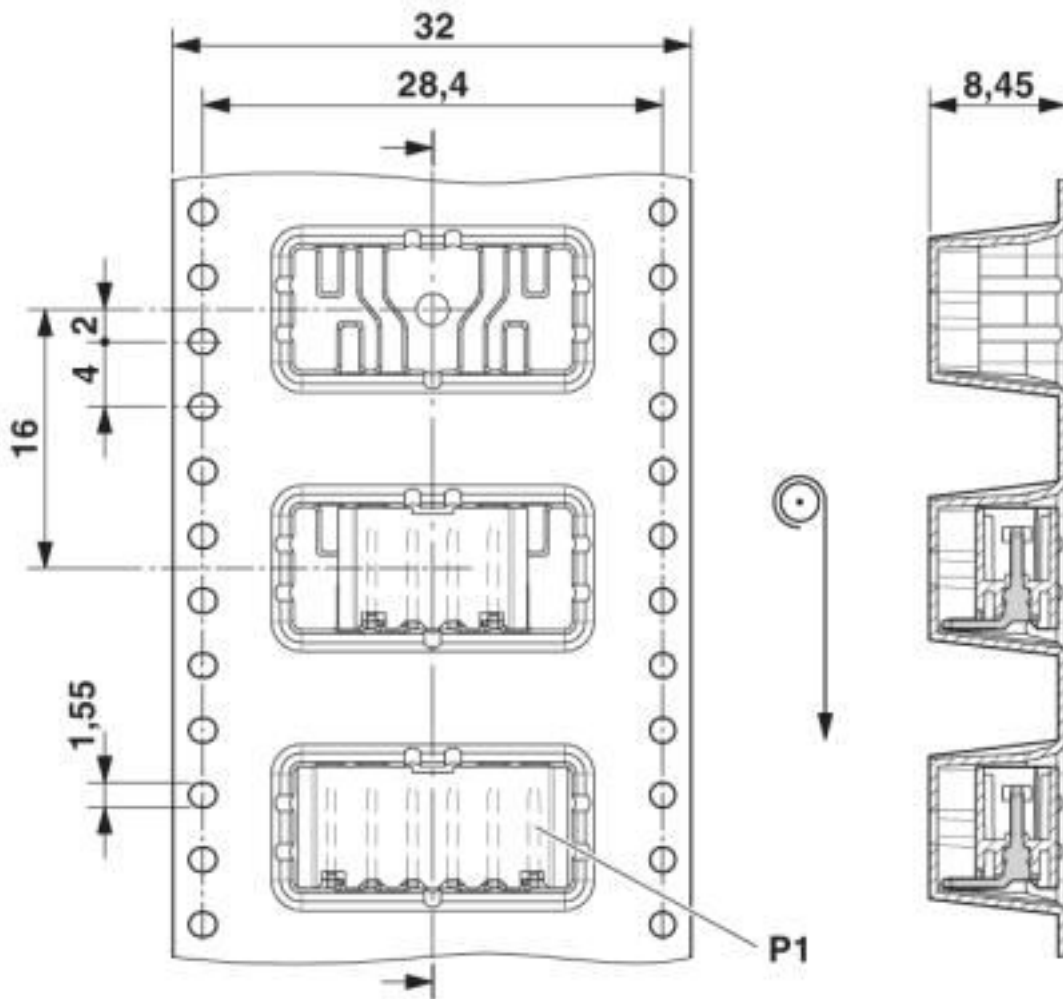
Type: PTCM 0,5/...-PL-2,5 WH with PTSM 0,5/...-HH-2,5-THR WH R...

Feed-through header - PTSM 0,5/ 4-HH-2,5-THR R32 - 1778641

Dimensional drawing



Dimensional drawing



Feed-through header - PTSM 0,5/ 4-HH-2,5-THR R32 - 1778641

Classifications

eCl@ss

| | |
|---------------|----------|
| eCl@ss 10.0.1 | 27440402 |
| eCl@ss 4.0 | 27260700 |
| eCl@ss 4.1 | 27260700 |
| eCl@ss 5.0 | 27260700 |
| eCl@ss 5.1 | 27260700 |
| eCl@ss 6.0 | 27260700 |
| eCl@ss 7.0 | 27440402 |
| eCl@ss 8.0 | 27440402 |
| eCl@ss 9.0 | 27440402 |

ETIM

| | |
|----------|----------|
| ETIM 3.0 | EC001121 |
| ETIM 4.0 | EC002637 |
| ETIM 5.0 | EC002637 |
| ETIM 6.0 | EC002637 |
| ETIM 7.0 | EC002637 |

UNSPSC

| | |
|---------------|----------|
| UNSPSC 6.01 | 30211810 |
| UNSPSC 7.0901 | 39121409 |
| UNSPSC 11 | 39121409 |
| UNSPSC 12.01 | 39121409 |
| UNSPSC 13.2 | 39121409 |
| UNSPSC 18.0 | 39121409 |
| UNSPSC 19.0 | 39121409 |
| UNSPSC 20.0 | 39121409 |
| UNSPSC 21.0 | 39121409 |

Approvals

Approvals

Approvals

UL Recognized / VDE Zeichengenehmigung / EAC / cULus Recognized

Ex Approvals

Approval details

Feed-through header - PTSM 0,5/ 4-HH-2,5-THR R32 - 1778641

Approvals

| | | |
|--------------------|--|--|
| UL Recognized | | http://database.ul.com/cgi-bin/XYV/template/LISEXT/1FRAME/index.htm E118976-20130619 |
| | | B |
| Nominal voltage UN | | 150 V |
| Nominal current IN | | 5 A |

| | | |
|----------------------------|--|--|
| VDE Zeichengenehmigung | | http://www2.vde.com/de/Institut/Online-Service/VDE-gepruefteProdukte/Seiten/Online-Suche.aspx 40048497 |
| | | |
| Nominal voltage UN | | 160 V |
| Nominal current IN | | 6 A |
| mm ² /AWG/kcmil | | 0.14-.5 |

| | | |
|-----|--|---------|
| EAC | | B.01687 |
|-----|--|---------|

| | | |
|--------------------|--|---|
| cULus Recognized | | http://database.ul.com/cgi-bin/XYV/template/LISEXT/1FRAME/index.htm E60425-20110108 |
| | | B |
| Nominal voltage UN | | 150 V |
| Nominal current IN | | 6 A |

Accessories

Additional products

Printed-circuit board connector - PTSM 0,5/ 4-P-2,5 - 1778858



PCB connector, nominal current: 6 A, rated voltage (III/2): 160 V, nominal cross section: 0.5 mm², number of positions: 4, pitch: 2.5 mm, connection method: Push-in spring connection, color: black, contact surface: Tin

Plug - PTPM 0,2/ 4-P-2,5 - 1780480



Feed-through header - PTSM 0,5/ 4-HH-2,5-THR R32 - 1778641

Accessories

Plug - PTPM 0,4/ 4-P-2,5 - 1780532



PCB connector, number of positions: 4, pitch: 2.5 mm, color: black, contact surface: Tin

Phoenix Contact 2020 © - all rights reserved
<http://www.phoenixcontact.com>

PHOENIX CONTACT GmbH & Co. KG
Flachsmarktstr. 8
32825 Blomberg
Germany
Tel. +49 5235 300
Fax +49 5235 3 41200
<http://www.phoenixcontact.com>

Mouser Electronics

Authorized Distributor

Click to View Pricing, Inventory, Delivery & Lifecycle Information:

[Phoenix Contact:](#)

[1778641](#)