

PCB terminal block - PTSPLO-6/1-2X2 2,1 R32 - 1705081

Please be informed that the data shown in this PDF Document is generated from our Online Catalog. Please find the complete data in the user's documentation. Our General Terms of Use for Downloads are valid (<http://phoenixcontact.com/download>)



PCB terminal block for tin-plated stranded cables, e.g., type PV 1-F, nominal current: 41 A, 1-pos., connection method: spring-cage connection, mounting: THT/THR, user information on through hole reflow technology can be found at: combicon.com


Your advantages

- ✓ Able to perform without insulating elements: ideal for easy integration into the SMT soldering process
- ✓ Tool-free spring principle enables time-saving connection of conductors with ferrules and tinned conductors
- ✓ Defined contact force ensures that contact remains stable over the long term

RoHS



Key Commercial Data

Packing unit	220 pc
Minimum order quantity	220 pc
GTIN	 4 046356 752831
GTIN	4046356752831

Technical data

Dimensions

Length [l]	14.95 mm
Pitch	0 mm
Width [w]	8.7 mm
Installed height	10.8 mm
Height [h]	12.9 mm
Solder pin [P]	2.1 mm
Hole diameter	1.3 mm

General

Range of articles	PTSPL 6/..
Nominal current I_N	41 A
Nominal cross section	6 mm ²
Number of positions	1

PCB terminal block - PTSPLO-6/1-2X2 2,1 R32 - 1705081

Technical data

Connection data

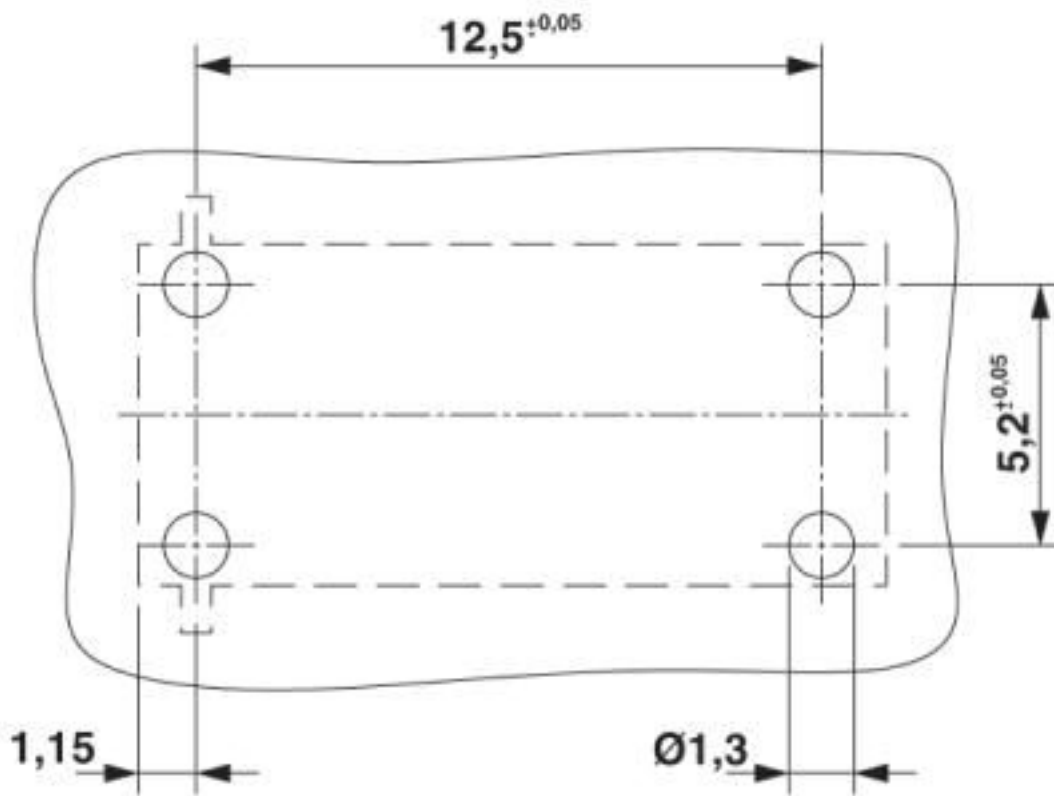
Conductor cross section flexible min.	2.5 mm ²
Conductor cross section flexible max.	6 mm ²
Conductor cross section flexible, with ferrule without plastic sleeve min.	2.5 mm ²
Conductor cross section flexible, with ferrule without plastic sleeve max.	6 mm ²
Stripping length	12 mm ... 15 mm

Environmental Product Compliance

China RoHS	Environmentally friendly use period: unlimited = EFUP-e
	No hazardous substances above threshold values

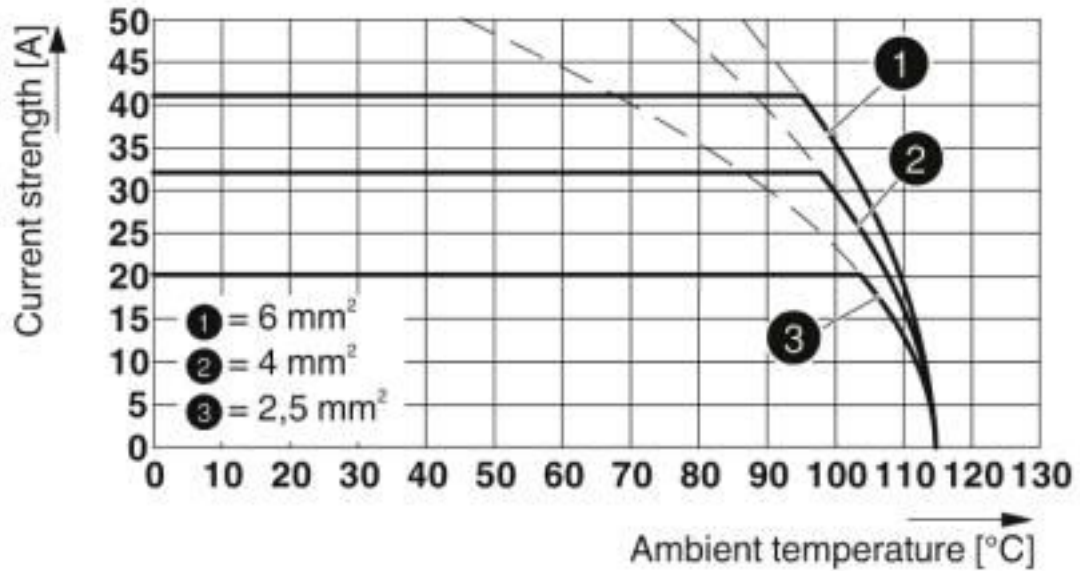
Drawings

Drilling diagram



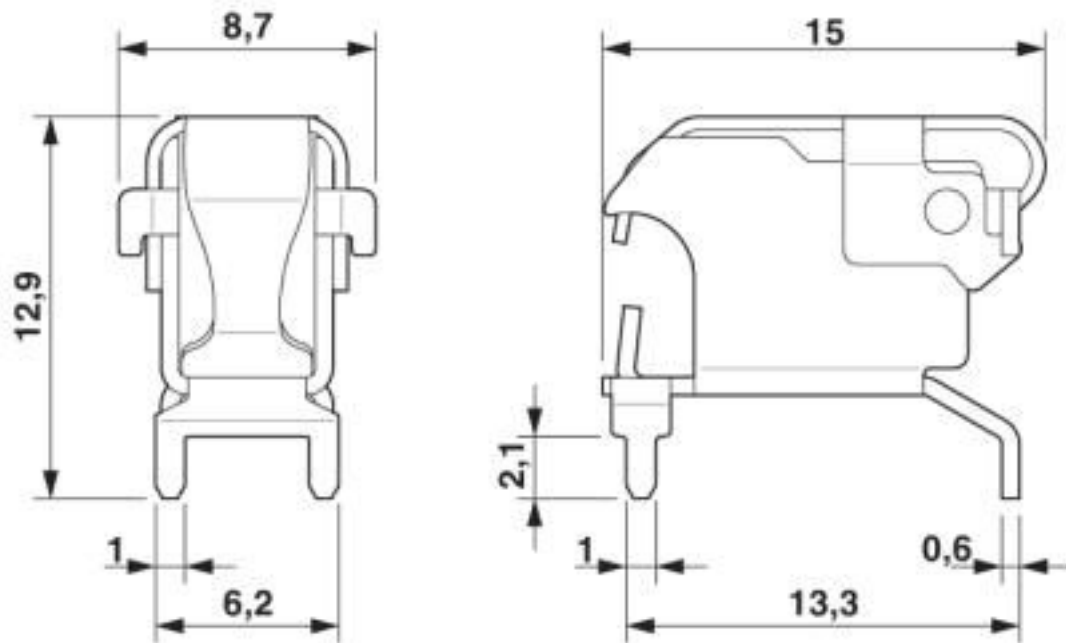
PCB terminal block - PTSPLO-6/1-2X2 2,1 R32 - 1705081

Diagram



Type: PTSPL(O)-6/1-2X2 ... R32

Dimensional drawing



Classifications

eCl@ss

eCl@ss 10.0.1	27440401
eCl@ss 4.0	27260700

PCB terminal block - PTSPLO-6/1-2X2 2,1 R32 - 1705081

Classifications

eCl@ss

eCl@ss 4.1	27260700
eCl@ss 5.0	27260700
eCl@ss 5.1	27261100
eCl@ss 6.0	27261100
eCl@ss 7.0	27440401
eCl@ss 8.0	27440401
eCl@ss 9.0	27440401

ETIM

ETIM 3.0	EC001121
ETIM 4.0	EC002643
ETIM 5.0	EC002643
ETIM 6.0	EC002643
ETIM 7.0	EC002643

UNSPSC

UNSPSC 6.01	30211810
UNSPSC 7.0901	39121409
UNSPSC 11	39121409
UNSPSC 12.01	39121409
UNSPSC 13.2	39121432
UNSPSC 18.0	39121432
UNSPSC 19.0	39121432
UNSPSC 20.0	39121432
UNSPSC 21.0	39121432

Approvals

Approvals

Approvals

EAC / cULus Recognized


Ex Approvals

Approval details

EAC		B.01687
-----	--	---------

PCB terminal block - PTSPLO-6/1-2X2 2,1 R32 - 1705081

Approvals

cULus Recognized		http://database.ul.com/cgi-bin/XYV/template/LISEXT/1FRAME/index.htm E365246-20141111
Nominal current IN	30 A	
mm ² /AWG/kcmil	14-10	

Accessories

Accessories

Crimping tool

Crimping pliers - CRIMPFOX 6 - 1212034



Crimping pliers, for ferrules without insulating collar according to DIN 46228 Part 1 and ferrules with insulating collar according to DIN 46228 Part 4, 0.25 mm² ... 6.0 mm², lateral entry, trapezoidal crimp

Screwdriver tools

Screwdriver - SZF 1-0,6X3,5 - 1204517



Actuation tool, for ST terminal blocks, also suitable for use as a bladed screwdriver, size: 0.6 x 3.5 x 100 mm, 2-component grip, with non-slip grip

Phoenix Contact 2020 © - all rights reserved
<http://www.phoenixcontact.com>

PHOENIX CONTACT GmbH & Co. KG
Flachsmarktstr. 8
32825 Blomberg
Germany
Tel. +49 5235 300
Fax +49 5235 3 41200
<http://www.phoenixcontact.com>

Mouser Electronics

Authorized Distributor

Click to View Pricing, Inventory, Delivery & Lifecycle Information:

[Phoenix Contact:](#)

[1705081](#)