

## PCB terminal block - PTSPL-6/1-2X2 2,9 R32 - 1704837

Please be informed that the data shown in this PDF Document is generated from our Online Catalog. Please find the complete data in the user's documentation. Our General Terms of Use for Downloads are valid (<http://phoenixcontact.com/download>)



PCB terminal block for tin-plated stranded cables, e.g., type PV 1-F, nominal current: 41 A, 1-pos., connection method: spring-cage connection, mounting: THT/THR, user information on through hole reflow technology can be found at: [combicon.com](http://combicon.com)

### Your advantages

- ✓ Able to perform without insulating elements: ideal for easy integration into the SMT soldering process
- ✓ Tool-free spring principle enables time-saving connection of conductors with ferrules and tinned conductors
- ✓ Defined contact force ensures that contact remains stable over the long term



### Key Commercial Data

Packing unit	250 pc
Minimum order quantity	250 pc
GTIN	
GTIN	4046356739993

### Technical data

#### Dimensions

Length [ l ]	14.95 mm
Pitch	0 mm
Width [ w ]	8.7 mm
Installed height	10.8 mm
Height [ h ]	12.9 mm
Solder pin [P]	2.9 mm
Hole diameter	1.3 mm

#### General

Range of articles	PTSPL 6/..
Nominal current I <sub>N</sub>	41 A
Nominal cross section	6 mm <sup>2</sup>
Number of positions	1

# PCB terminal block - PTSPL-6/1-2X2 2,9 R32 - 1704837

## Technical data

### Connection data

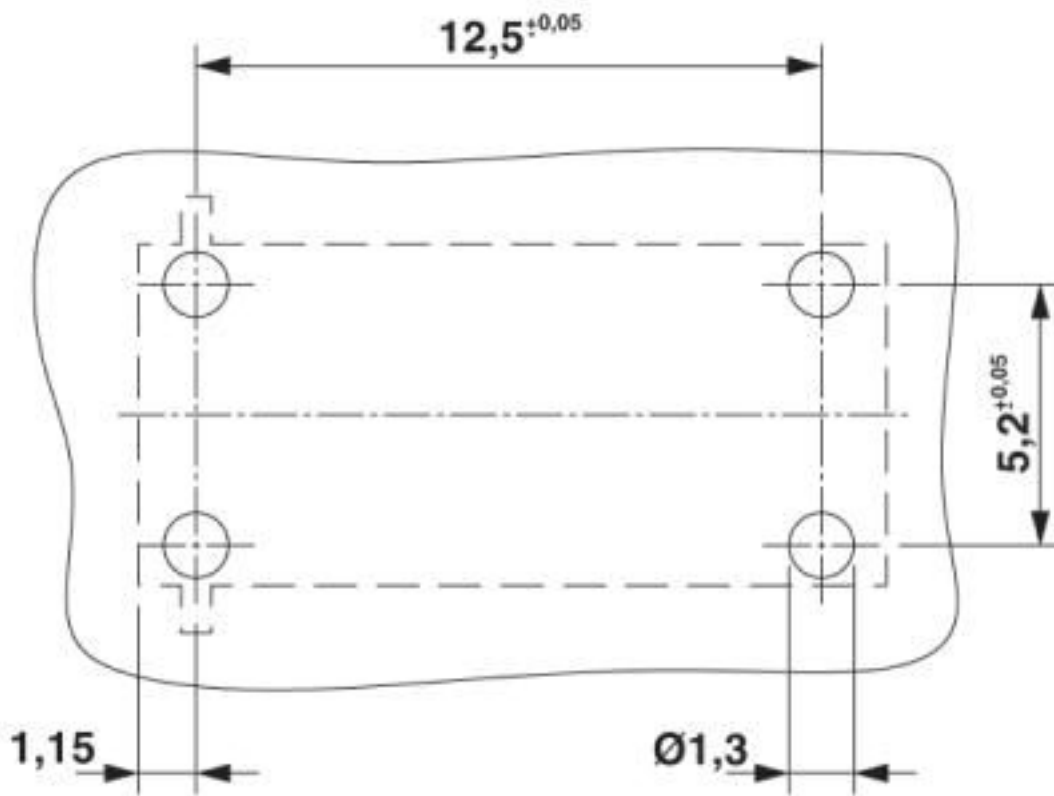
Conductor cross section flexible min.	2.5 mm <sup>2</sup>
Conductor cross section flexible max.	6 mm <sup>2</sup>
Conductor cross section flexible, with ferrule without plastic sleeve min.	2.5 mm <sup>2</sup>
Conductor cross section flexible, with ferrule without plastic sleeve max.	6 mm <sup>2</sup>
Stripping length	12 mm ... 15 mm

### Environmental Product Compliance

China RoHS	Environmentally friendly use period: unlimited = EFUP-e
	No hazardous substances above threshold values

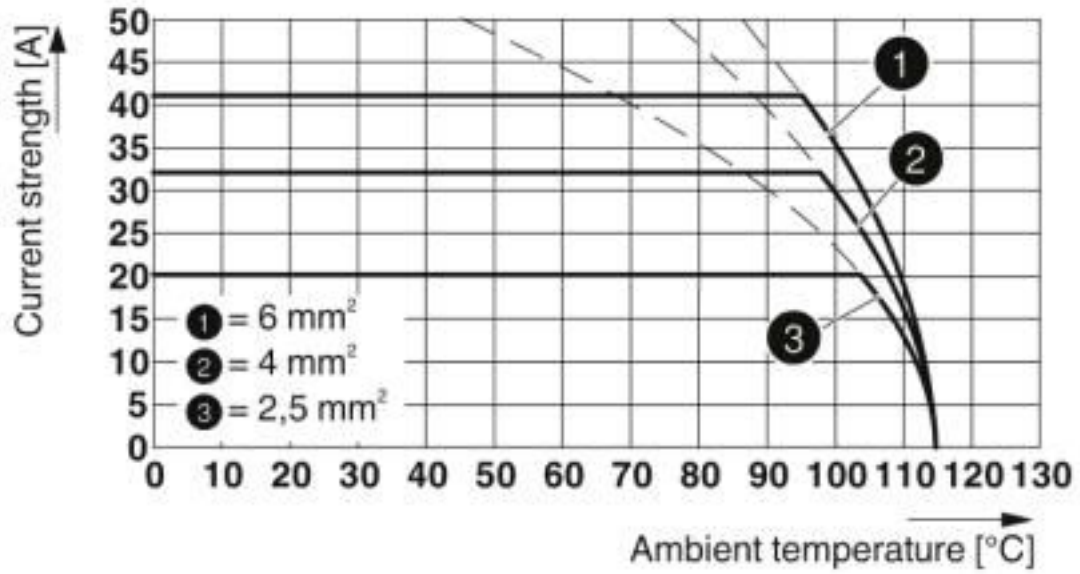
## Drawings

Drilling diagram



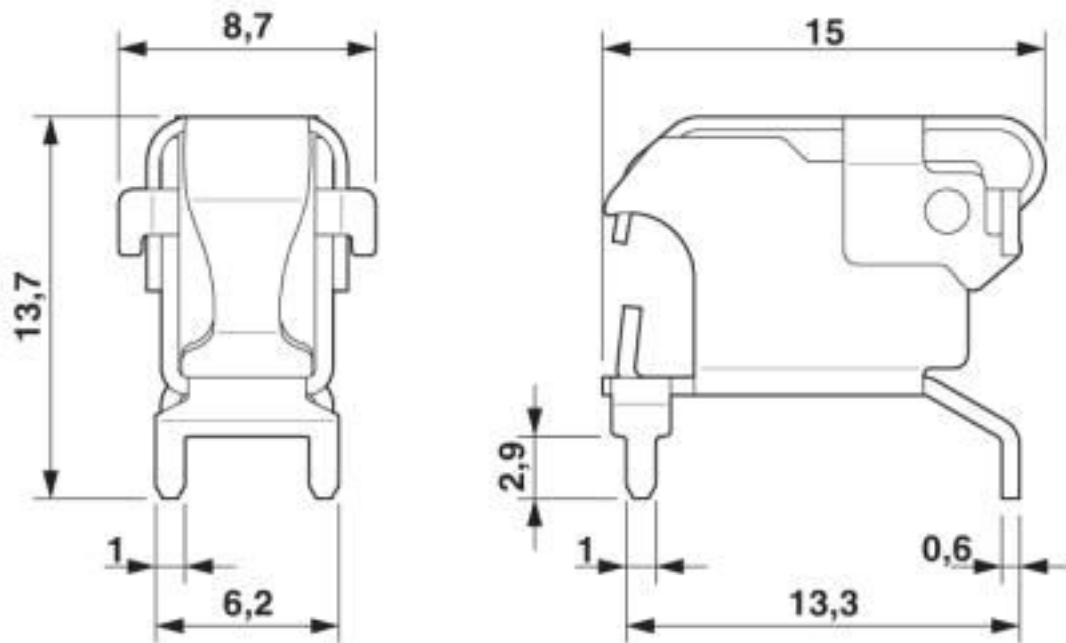
# PCB terminal block - PTSPL-6/1-2X2 2,9 R32 - 1704837

Diagram



Type: PTSPL(O)-6/1-2X2 ... R32

Dimensional drawing



## Classifications

eCl@ss

eCl@ss 10.0.1	27440401
eCl@ss 4.0	27141100

# PCB terminal block - PTSPL-6/1-2X2 2,9 R32 - 1704837

## Classifications

### eCl@ss

eCl@ss 4.1	27141100
eCl@ss 5.0	27141100
eCl@ss 5.1	27141100
eCl@ss 6.0	27141100
eCl@ss 7.0	27141190
eCl@ss 8.0	27141190
eCl@ss 9.0	27440401

### ETIM

ETIM 3.0	EC001121
ETIM 4.0	EC002637
ETIM 5.0	EC002848
ETIM 6.0	EC002643
ETIM 7.0	EC002643

### UNSPSC

UNSPSC 6.01	30211810
UNSPSC 7.0901	39121409
UNSPSC 11	39121409
UNSPSC 12.01	39121409
UNSPSC 13.2	39121432
UNSPSC 18.0	39121432
UNSPSC 19.0	39121432
UNSPSC 20.0	39121432
UNSPSC 21.0	39121432

## Approvals

### Approvals

---

Approvals


EAC / cULus Recognized

---

### Ex Approvals


---

Approval details

EAC		B.01687
-----	---	---------

# PCB terminal block - PTSPL-6/1-2X2 2,9 R32 - 1704837

## Approvals

cULus Recognized		<a href="http://database.ul.com/cgi-bin/XYV/template/LISEXT/1FRAME/index.htm">http://database.ul.com/cgi-bin/XYV/template/LISEXT/1FRAME/index.htm</a> E365246-20141111
Nominal current I <sub>N</sub>	30 A	
mm <sup>2</sup> /AWG/kcmil	14-10	

## Accessories

### Accessories

#### Crimping tool

Crimping pliers - CRIMPFOX 6 - 1212034



Crimping pliers, for ferrules without insulating collar according to DIN 46228 Part 1 and ferrules with insulating collar according to DIN 46228 Part 4, 0.25 mm<sup>2</sup> ... 6.0 mm<sup>2</sup>, lateral entry, trapezoidal crimp

#### Screwdriver tools

Screwdriver - SZF 1-0,6X3,5 - 1204517



Actuation tool, for ST terminal blocks, also suitable for use as a bladed screwdriver, size: 0.6 x 3.5 x 100 mm, 2-component grip, with non-slip grip

Phoenix Contact 2020 © - all rights reserved  
<http://www.phoenixcontact.com>

PHOENIX CONTACT GmbH & Co. KG  
Flachsmarktstr. 8  
32825 Blomberg  
Germany  
Tel. +49 5235 300  
Fax +49 5235 3 41200  
<http://www.phoenixcontact.com>

# Mouser Electronics

Authorized Distributor

Click to View Pricing, Inventory, Delivery & Lifecycle Information:

[Phoenix Contact:](#)

[1704837](#)