

# PCB terminal block - PTSPL-6/1-2X2 2,1 R32 - 1704836

Please be informed that the data shown in this PDF Document is generated from our Online Catalog. Please find the complete data in the user's documentation. Our General Terms of Use for Downloads are valid (<http://phoenixcontact.com/download>)



PCB terminal block for tin-plated stranded cables, e.g., type PV 1-F, nominal current: 41 A, 1-pos., connection method: spring-cage connection, mounting: THT/THR, user information on through hole reflow technology can be found at: [combicon.com](http://combicon.com)

## Your advantages

- ✓ Able to perform without insulating elements: ideal for easy integration into the SMT soldering process
- ✓ Tool-free spring principle enables time-saving connection of conductors with ferrules and tinned conductors
- ✓ Defined contact force ensures that contact remains stable over the long term



## Key Commercial Data

|                        |               |
|------------------------|---------------|
| Packing unit           | 250 pc        |
| Minimum order quantity | 250 pc        |
| GTIN                   |               |
| GTIN                   | 4046356739757 |

## Technical data

### Dimensions

|                  |          |
|------------------|----------|
| Length [ l ]     | 14.95 mm |
| Pitch            | 0 mm     |
| Width [ w ]      | 8.7 mm   |
| Installed height | 10.8 mm  |
| Height [ h ]     | 1.9 mm   |
| Solder pin [P]   | 2.1 mm   |
| Hole diameter    | 1.3 mm   |

### General

|                                |                   |
|--------------------------------|-------------------|
| Range of articles              | PTSPL 6/..        |
| Nominal current I <sub>N</sub> | 41 A              |
| Nominal cross section          | 6 mm <sup>2</sup> |
| Number of positions            | 1                 |

# PCB terminal block - PTSPL-6/1-2X2 2,1 R32 - 1704836

## Technical data

### Connection data

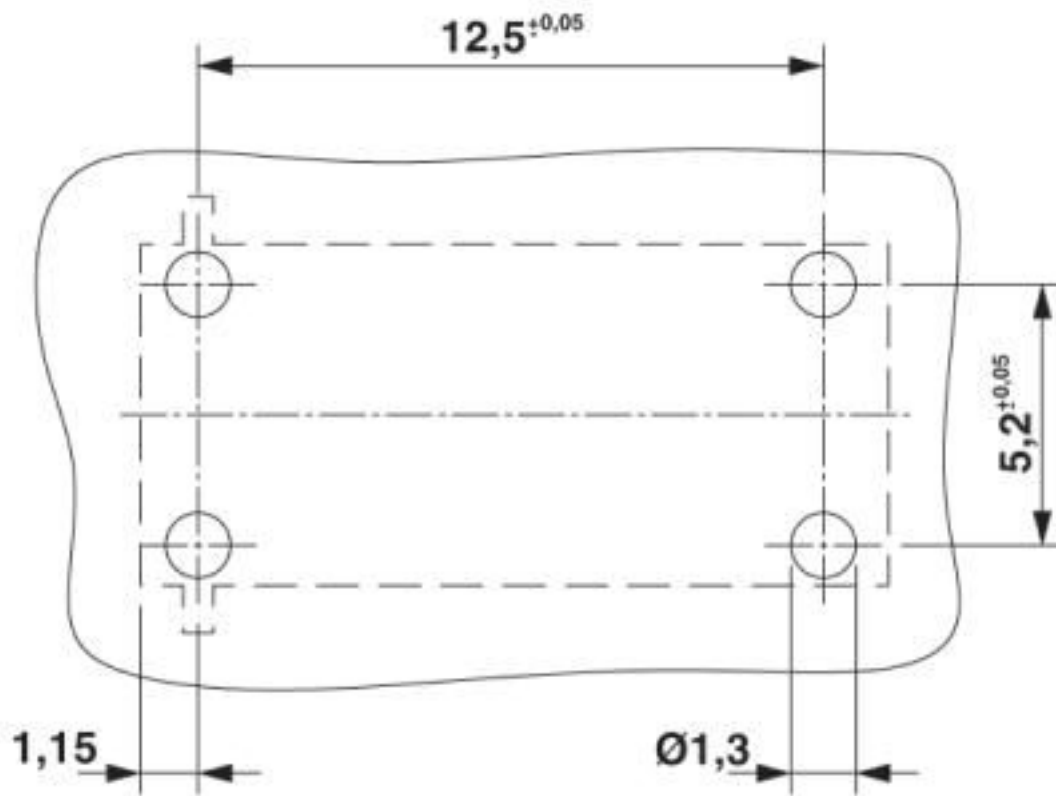
|  |                     |
|--|---------------------|
| Conductor cross section flexible min.                                      | 2.5 mm <sup>2</sup> |
| Conductor cross section flexible max.                                      | 6 mm <sup>2</sup>   |
| Conductor cross section flexible, with ferrule without plastic sleeve min. | 2.5 mm <sup>2</sup> |
| Conductor cross section flexible, with ferrule without plastic sleeve max. | 6 mm <sup>2</sup>   |
| Stripping length   | 12 mm ... 15 mm     |

### Environmental Product Compliance

|            |   |
|------------|---|
| China RoHS | Environmentally friendly use period: unlimited = EFUP-e |
|            | No hazardous substances above threshold values          |

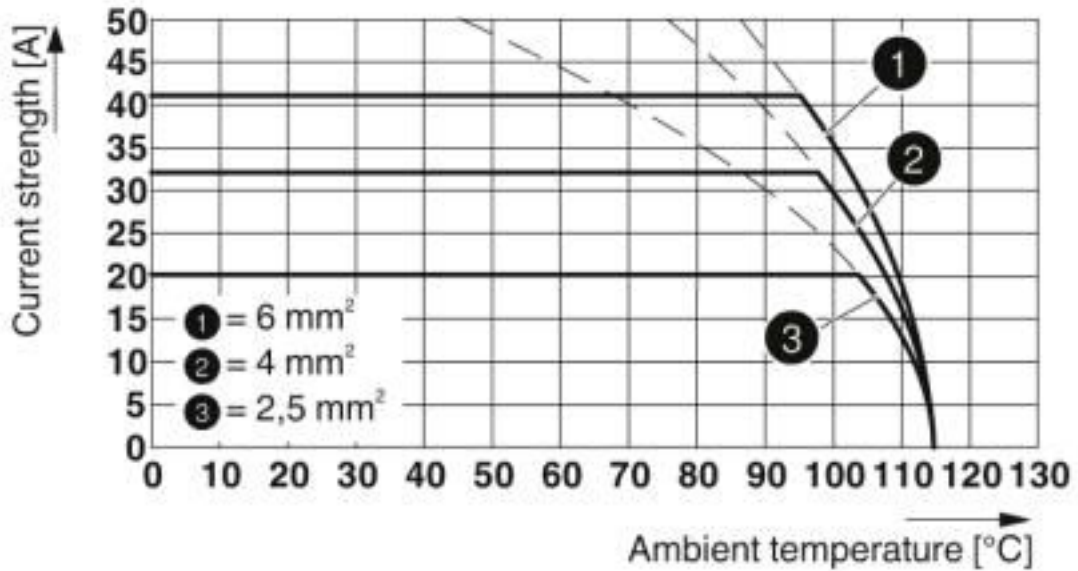
## Drawings

Drilling diagram



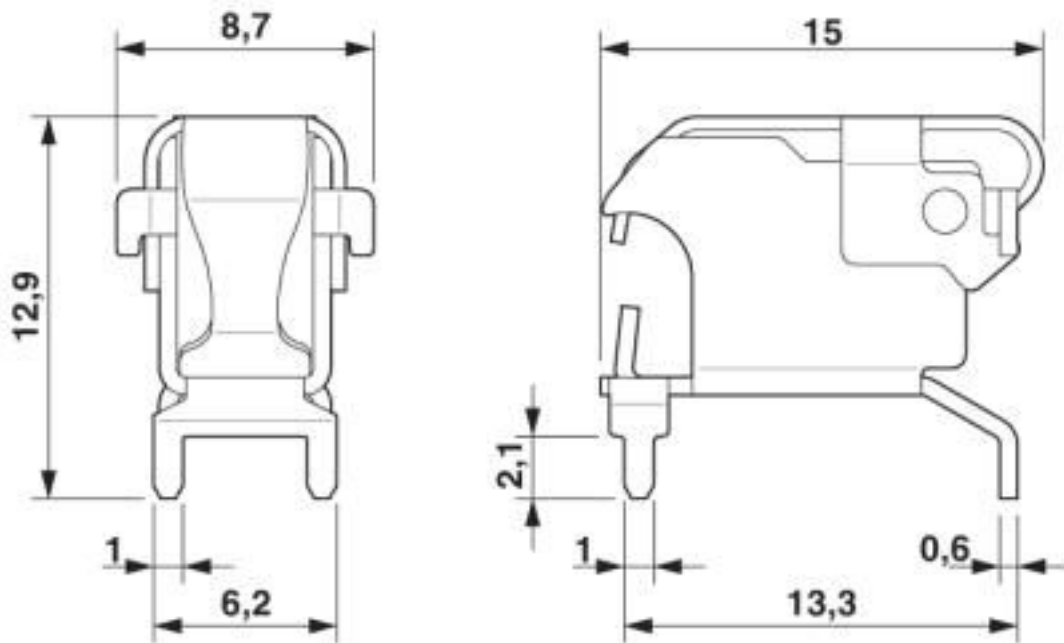
# PCB terminal block - PTSPL-6/1-2X2 2,1 R32 - 1704836

Diagram



Type: PTSPL(O)-6/1-2X2 ... R32

Dimensional drawing



## Classifications

eCl@ss

|               |          |
|---------------|----------|
| eCl@ss 10.0.1 | 27440401 |
| eCl@ss 4.0    | 27260700 |

# PCB terminal block - PTSPL-6/1-2X2 2,1 R32 - 1704836

## Classifications

### eCl@ss

|            |          |
|------------|----------|
| eCl@ss 4.1 | 27260700 |
| eCl@ss 5.0 | 27260700 |
| eCl@ss 5.1 | 27261100 |
| eCl@ss 6.0 | 27261100 |
| eCl@ss 7.0 | 27440401 |
| eCl@ss 8.0 | 27440401 |
| eCl@ss 9.0 | 27440401 |

### ETIM

|          |          |
|----------|----------|
| ETIM 3.0 | EC001121 |
| ETIM 4.0 | EC002643 |
| ETIM 5.0 | EC002643 |
| ETIM 6.0 | EC002643 |
| ETIM 7.0 | EC002643 |

### UNSPSC

|               |          |
|---------------|----------|
| UNSPSC 6.01   | 30211810 |
| UNSPSC 7.0901 | 39121409 |
| UNSPSC 11     | 39121409 |
| UNSPSC 12.01  | 39121409 |
| UNSPSC 13.2   | 39121432 |
| UNSPSC 18.0   | 39121432 |
| UNSPSC 19.0   | 39121432 |
| UNSPSC 20.0   | 39121432 |
| UNSPSC 21.0   | 39121432 |

## Approvals

### Approvals

---

Approvals

EAC / cULus Recognized

---

Ex Approvals

---

### Approval details

|     |  |         |
|-----|--|---------|
| EAC |  | B.01687 |
|-----|--|---------|

# PCB terminal block - PTSPL-6/1-2X2 2,1 R32 - 1704836

## Approvals

|                                |       |  |
|--------------------------------|-------|--|
| cULus Recognized               |       | <a href="http://database.ul.com/cgi-bin/XYV/template/LISEXT/1FRAME/index.htm">http://database.ul.com/cgi-bin/XYV/template/LISEXT/1FRAME/index.htm</a> E365246-20141111 |
| Nominal current I <sub>N</sub> | 30 A  |  |
| mm <sup>2</sup> /AWG/kcmil     | 14-10 |  |

## Accessories

### Accessories

#### Crimping tool

Crimping pliers - CRIMPFOX 6 - 1212034



Crimping pliers, for ferrules without insulating collar according to DIN 46228 Part 1 and ferrules with insulating collar according to DIN 46228 Part 4, 0.25 mm<sup>2</sup> ... 6.0 mm<sup>2</sup>, lateral entry, trapezoidal crimp

---

#### Screwdriver tools

Screwdriver - SZF 1-0,6X3,5 - 1204517



Actuation tool, for ST terminal blocks, also suitable for use as a bladed screwdriver, size: 0.6 x 3.5 x 100 mm, 2-component grip, with non-slip grip

---

Phoenix Contact 2020 © - all rights reserved  
<http://www.phoenixcontact.com>

PHOENIX CONTACT GmbH & Co. KG  
Flachsmarktstr. 8  
32825 Blomberg  
Germany  
Tel. +49 5235 300  
Fax +49 5235 3 41200  
<http://www.phoenixcontact.com>

# Mouser Electronics

Authorized Distributor

Click to View Pricing, Inventory, Delivery & Lifecycle Information:

[Phoenix Contact:](#)

[1704836](#)