

Panel mounting frames - VS-08-A-RJ45/LP-1-IP 20 - 1688641


Please be informed that the data shown in this PDF Document is generated from our Online Catalog. Please find the complete data in the user's documentation. Our General Terms of Use for Downloads are valid (<http://phoenixcontact.com/download>)



RJ45 panel mounting frame, 1x, IP20, for PCB assembly, for socket inserts, without mounting screws



Key Commercial Data

Packing unit	5 pc
Minimum order quantity	5 pc
GTIN	 4 017918 607913
GTIN	4017918607913

Technical data

Mechanical characteristics

Number of slots	1
Weight	1.09 g
Flammability rating according to UL 94	V0

Ambient conditions

Ambient temperature (operation)	-40 °C ... 80 °C
---------------------------------	------------------

Material data

Housing material	PA
Width	18 mm
Height	26.5 mm
Depth	3.6 mm

Standards and Regulations

Flammability rating according to UL 94	V0
--	----

Environmental Product Compliance

China RoHS	Environmentally friendly use period: unlimited = EFUP-e
------------	---

Panel mounting frames - VS-08-A-RJ45/LP-1-IP 20 - 1688641

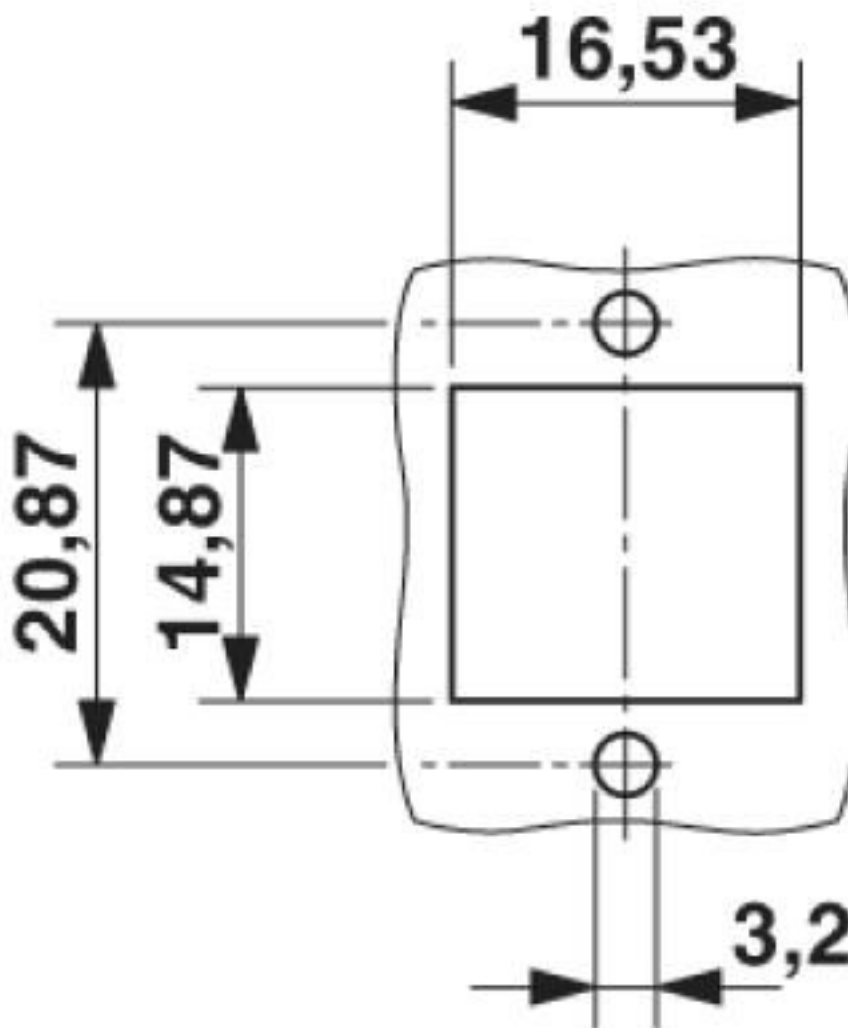
Technical data

Environmental Product Compliance

	No hazardous substances above threshold values
--	--

Drawings

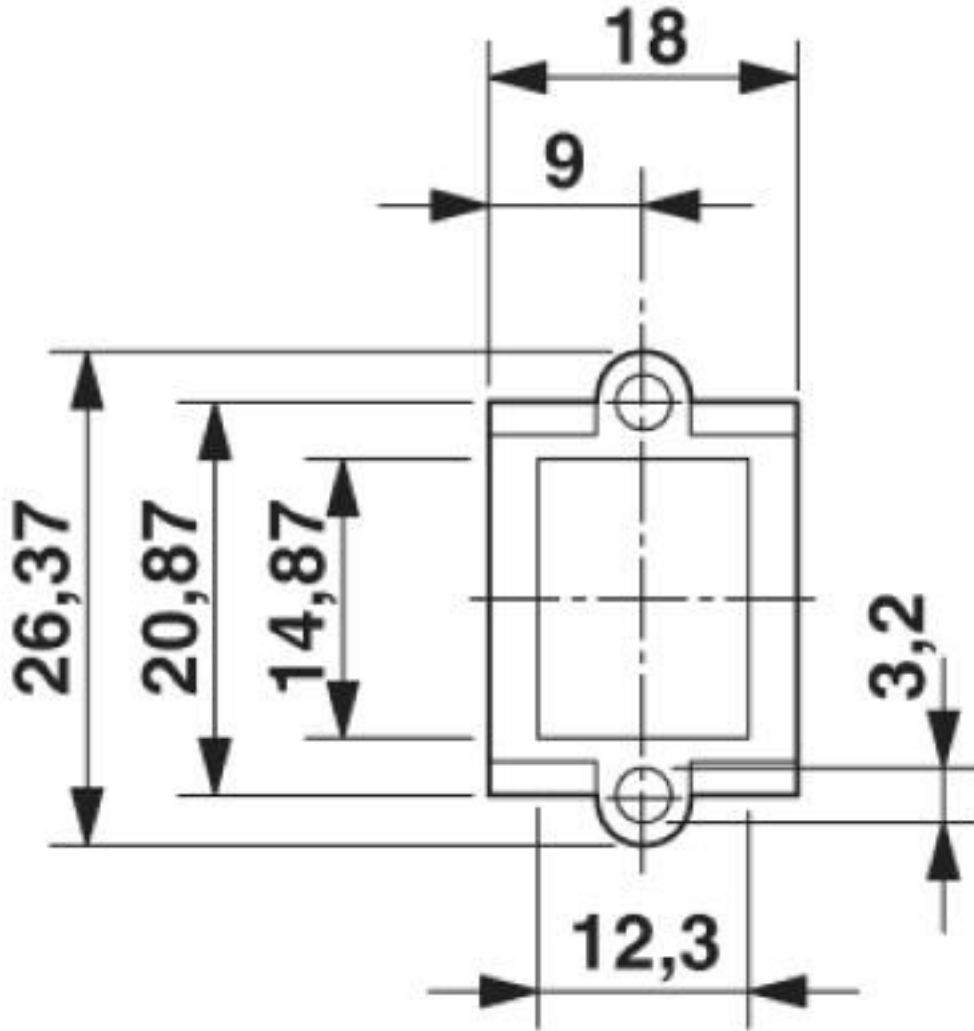
Dimensional drawing



Mounting cutout

Panel mounting frames - VS-08-A-RJ45/LP-1-IP 20 - 1688641

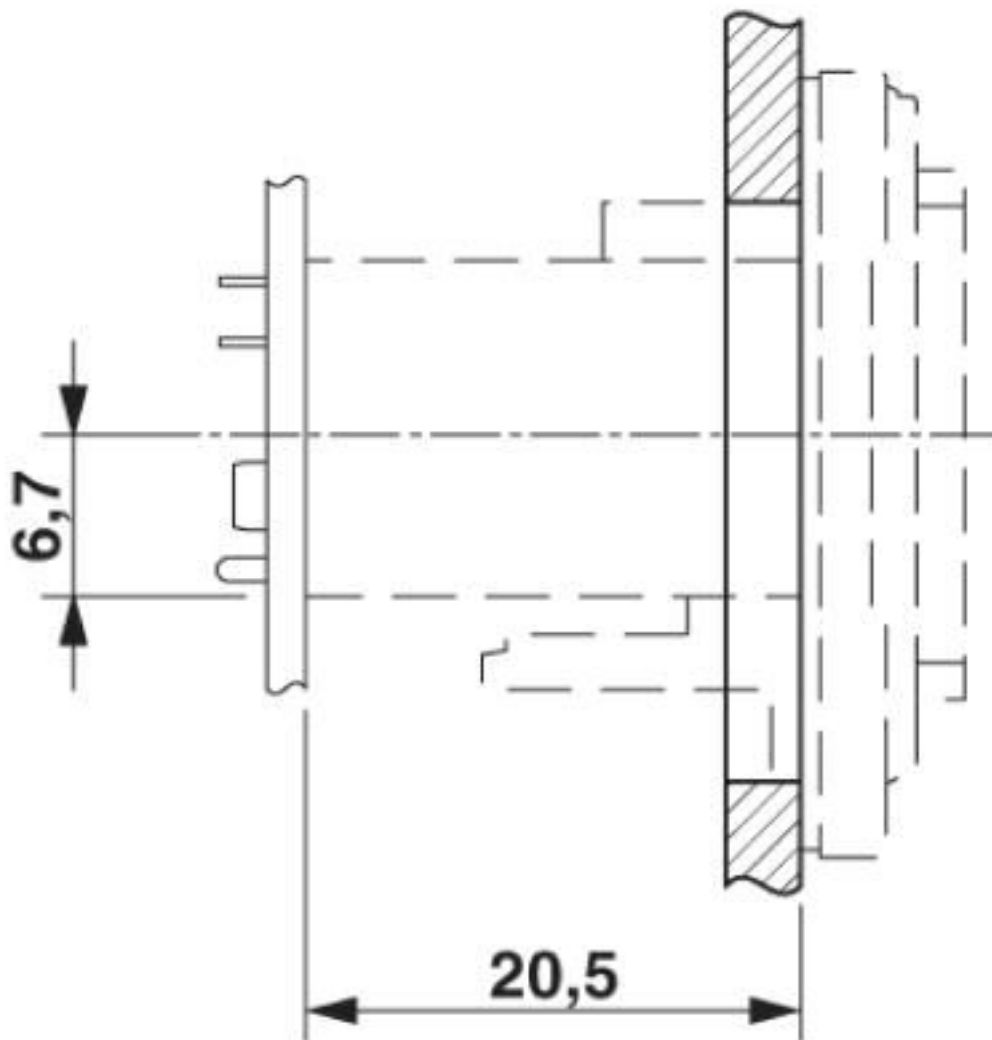
Dimensional drawing



RJ45 panel mounting frame, IP20

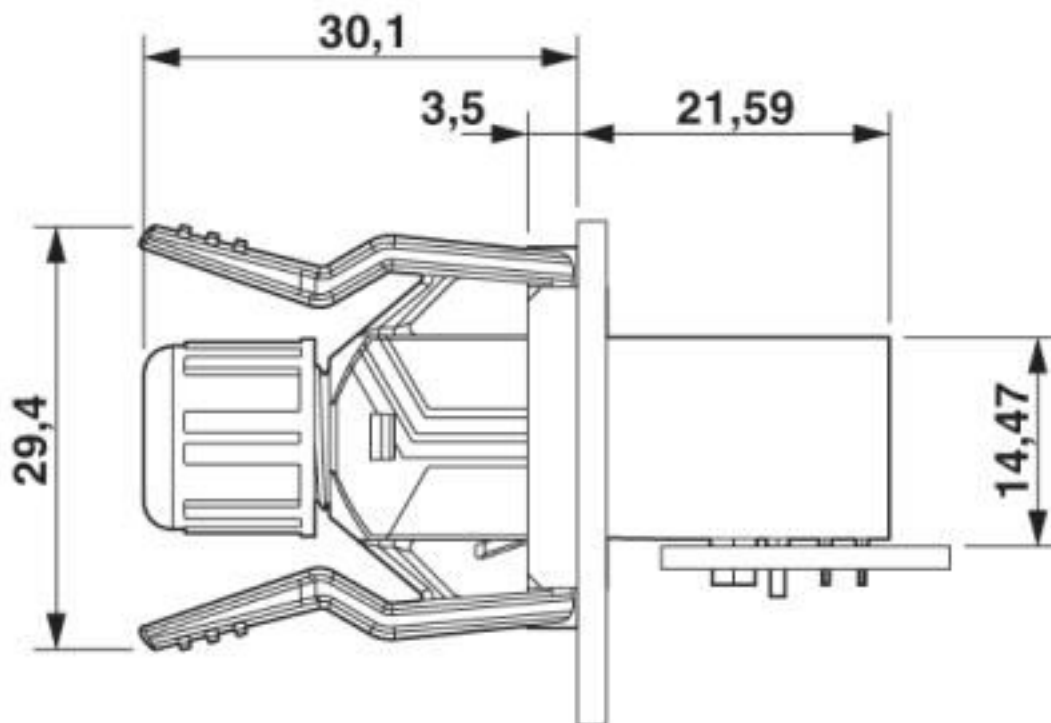
Panel mounting frames - VS-08-A-RJ45/LP-1-IP 20 - 1688641

Dimensional drawing



Panel mounting frames - VS-08-A-RJ45/LP-1-IP 20 - 1688641

Dimensional drawing



Classifications

eCl@ss

eCl@ss 10.0.1	27440210
eCl@ss 4.0	27260700
eCl@ss 4.1	27260700
eCl@ss 5.0	27260700
eCl@ss 5.1	27260700
eCl@ss 6.0	27261200
eCl@ss 7.0	27440210
eCl@ss 8.0	27440210
eCl@ss 9.0	27440210

ETIM

ETIM 2.0	EC000764
ETIM 3.0	EC001121
ETIM 4.0	EC002310
ETIM 5.0	EC002310
ETIM 6.0	EC002310
ETIM 7.0	EC002310

Panel mounting frames - VS-08-A-RJ45/LP-1-IP 20 - 1688641

Classifications

UNSPSC

UNSPSC 6.01	31261501
UNSPSC 7.0901	31261501
UNSPSC 11	31261501
UNSPSC 12.01	31261501
UNSPSC 13.2	39121421
UNSPSC 18.0	39121421
UNSPSC 19.0	39121421
UNSPSC 20.0	39121421
UNSPSC 21.0	39121421

Accessories

Accessories

Female insert

RJ45 PCB connectors - VS-08-BU-RJ45/LP-1 - 1688586



RJ45 socket insert, 1x, for PCB assembly, CAT5, 8-pos., shielded, with angled solder pins

Sleeve housings

RJ45 sleeve housings - VS-08-T-RJ45/IP 20 - 1688638



RJ45 sleeve housing IP20, for pin insert VS-08-ST-RJ45, with push-pull interlocking for panel mounting frames, for cable cross section 5.0 mm ... 6.5 mm

Phoenix Contact 2020 © - all rights reserved
<http://www.phoenixcontact.com>

PHOENIX CONTACT GmbH & Co. KG
Flachsmarktstr. 8
32825 Blomberg
Germany
Tel. +49 5235 300
Fax +49 5235 3 41200
<http://www.phoenixcontact.com>

Mouser Electronics

Authorized Distributor

Click to View Pricing, Inventory, Delivery & Lifecycle Information:

[Phoenix Contact:](#)

[1688641](#)