

## Nut - Q-MU PG29 BK - 1670772


Please be informed that the data shown in this PDF Document is generated from our Online Catalog. Please find the complete data in the user's documentation. Our General Terms of Use for Downloads are valid (<http://phoenixcontact.com/download>)



Nut (plastic), to lock the Pg29/SW 46 contact carrier



### Key Commercial Data

Packing unit	50 pc
Minimum order quantity	50 pc
GTIN	 4 046356 698764
GTIN	4046356698764

### Technical data

#### Ambient conditions

Ambient temperature (operation)	-40 °C ... 80 °C
Ambient temperature (storage/transport)	-40 °C ... 80 °C
Temperature when conductor connected	-5 °C ... 50 °C

#### General

Color	black
-------	-------

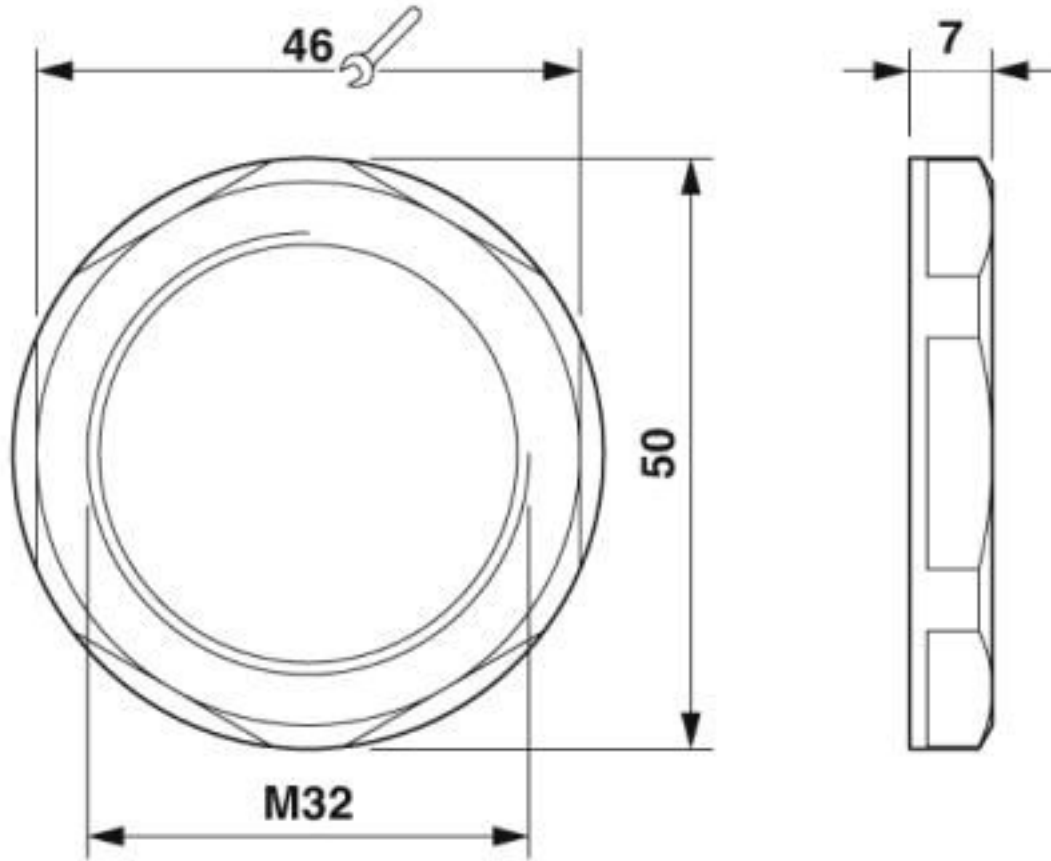
#### Environmental Product Compliance

China RoHS	Environmentally Friendly Use Period = 50 years
	For details about hazardous substances go to tab "Downloads", Category "Manufacturer's declaration"

### Drawings

# Nut - Q-MU PG29 BK - 1670772

Dimensional drawing



## Classifications

eCl@ss

eCl@ss 10.0.1	27440691
eCl@ss 4.0	23110700
eCl@ss 4.1	23110700
eCl@ss 5.0	23110700
eCl@ss 5.1	23110700
eCl@ss 6.0	23110700
eCl@ss 7.0	27069219
eCl@ss 8.0	27069219
eCl@ss 9.0	27440691

ETIM

ETIM 3.0	EC000940
ETIM 4.0	EC002382
ETIM 5.0	EC000940
ETIM 6.0	EC000940
ETIM 7.0	EC000940

## Nut - Q-MU PG29 BK - 1670772

### Classifications

#### UNSPSC

UNSPSC 6.01	30211923
UNSPSC 7.0901	39121522
UNSPSC 11	39121522
UNSPSC 12.01	39121522
UNSPSC 13.2	31161716
UNSPSC 18.0	39121421
UNSPSC 19.0	39121421
UNSPSC 20.0	39121421
UNSPSC 21.0	39121421

---

Phoenix Contact 2020 © - all rights reserved  
<http://www.phoenixcontact.com>

PHOENIX CONTACT GmbH & Co. KG

Flachsmarktstr. 8

32825 Blomberg

Germany

Tel. +49 5235 300

Fax +49 5235 3 41200

<http://www.phoenixcontact.com>

# Mouser Electronics

Authorized Distributor

Click to View Pricing, Inventory, Delivery & Lifecycle Information:

[Phoenix Contact:](#)

[1670772](#)