

# Front plate - VS-SI-FP-2DSUB9-GC-BU/ST - 1657708


Please be informed that the data shown in this PDF Document is generated from our Online Catalog. Please find the complete data in the user's documentation. Our General Terms of Use for Downloads are valid (<http://phoenixcontact.com/download>)



Front plate with contact inserts, plastic, 2x D-SUB 9, socket/pin



## Key Commercial Data

Packing unit	1 pc
GTIN	 4 046356 118347
GTIN	4046356118347

## Technical data

### Mechanical characteristics

Number of positions	9
Color	gray
Degree of protection	IP20
Contact insert design	with 2x D-SUB 9 Socket/pin, slot locking UNC 4...40 bolts

### Ambient conditions

Ambient temperature (operation)	-10 °C ... 60 °C
Degree of protection	IP20

### Material data

Flammability rating according to UL 94	V0
Material	PBT (Front plate)
Height	45 mm

### Electrical characteristics

Rated voltage (III/3)	max. 30 V AC (RJ45, D-SUB 9, UL rating)
Rated current	max. 175 mA (D-SUB 9, UL rating)

### Standards and Regulations

Flammability rating according to UL 94	V0
--	----

# Front plate - VS-SI-FP-2DSUB9-GC-BU/ST - 1657708

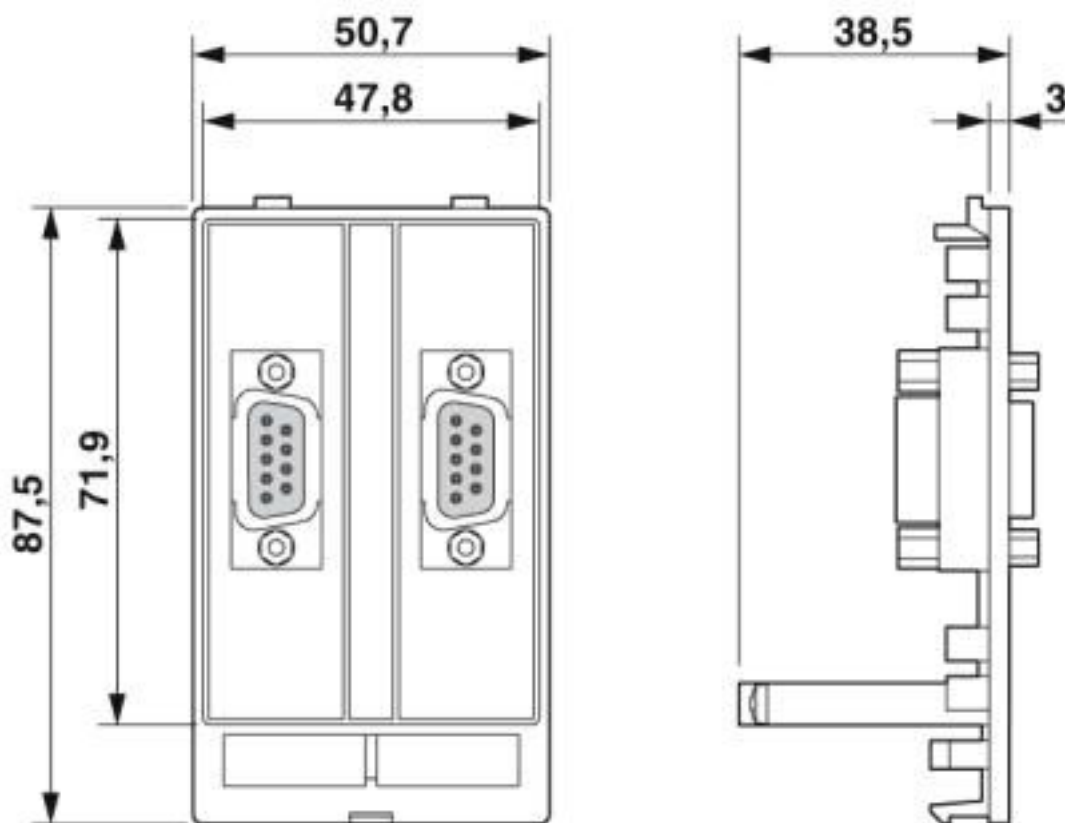
## Technical data

### Environmental Product Compliance

China RoHS	Environmentally friendly use period: unlimited = EFUP-e
	No hazardous substances above threshold values

## Drawings

Dimensional drawing



Dimensional drawing

## Classifications

eCl@ss

eCl@ss 10.0.1	27182806
eCl@ss 4.0	27141200
eCl@ss 4.1	27141200
eCl@ss 5.0	27189200
eCl@ss 5.1	27189200
eCl@ss 6.0	27189200
eCl@ss 7.0	27189217
eCl@ss 8.0	27189217

# Front plate - VS-SI-FP-2DSUB9-GC-BU/ST - 1657708

## Classifications

eCl@ss

eCl@ss 9.0	27189217
------------	----------

## ETIM

ETIM 2.0	EC000007
ETIM 3.0	EC000007
ETIM 4.0	EC000007
ETIM 5.0	EC000456
ETIM 6.0	EC000456
ETIM 7.0	EC000456

## UNSPSC

UNSPSC 6.01	31261501
UNSPSC 7.0901	31261501
UNSPSC 11	31261501
UNSPSC 12.01	31261501
UNSPSC 13.2	31261501
UNSPSC 18.0	39121302
UNSPSC 19.0	39121302
UNSPSC 20.0	39121302
UNSPSC 21.0	39121302

## Accessories

### Accessories

#### Device marking

Snap-in markers - UCT-EM (20X7) - 0801494



Snap-in markers, Sheet, white, unlabeled, can be labeled with: TOPMARK NEO, TOPMARK LASER, BLUEMARK ID COLOR, BLUEMARK ID, BLUEMARK CLED, THERMOMARK PRIME, THERMOMARK CARD 2.0, THERMOMARK CARD, mounting type: snapped into marker carrier, lettering field size: 20 x 7 mm, Number of individual labels: 24

### Marking material

Marker labels - VS-SI-BZ - 1656660



Marker label, plastic, plate with 20 labels

Phoenix Contact 2020 © - all rights reserved  
<http://www.phoenixcontact.com>

PHOENIX CONTACT GmbH & Co. KG  
Flachsmarktstr. 8  
32825 Blomberg  
Germany  
Tel. +49 5235 300  
Fax +49 5235 3 41200  
<http://www.phoenixcontact.com>

# Mouser Electronics

Authorized Distributor

Click to View Pricing, Inventory, Delivery & Lifecycle Information:

[Phoenix Contact:](#)

[1657708](#)