

Patch cable - VS-04-2X2X26C7/7-67A/OE/2,0 - 1655755


Please be informed that the data shown in this PDF Document is generated from our Online Catalog. Please find the complete data in the user's documentation. Our General Terms of Use for Downloads are valid (<http://phoenixcontact.com/download>)



Assembled USB cable, shielded, color: RAL 5021 (water blue), PUR outer sheath, USB type A/IP67 on open cable end, length: 2 m



Key Commercial Data

Packing unit	1 pc
GTIN	 4 017918 993849
GTIN	4017918993849

Technical data

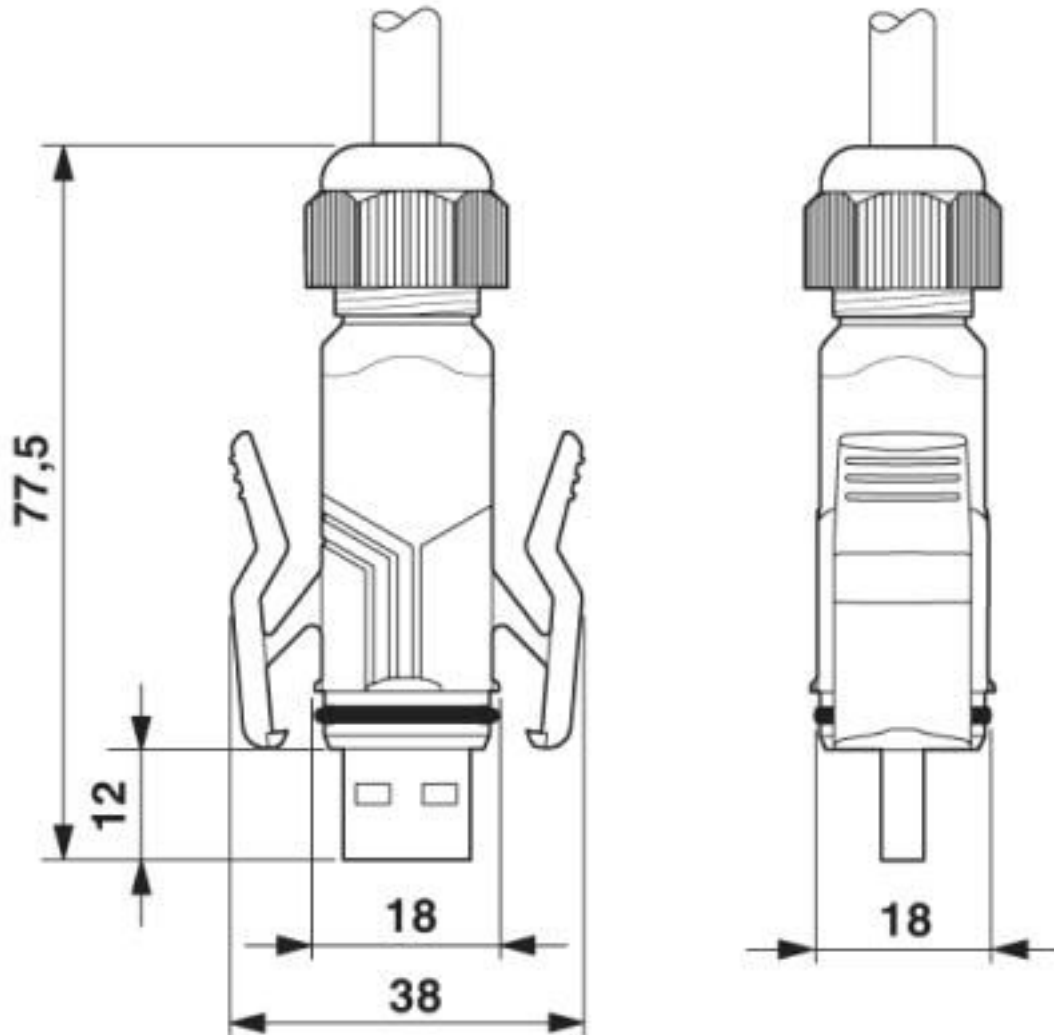
Environmental Product Compliance

REACH SVHC	Lead 7439-92-1
------------	----------------

Drawings

Patch cable - VS-04-2X2X26C7/7-67A/OE/2,0 - 1655755

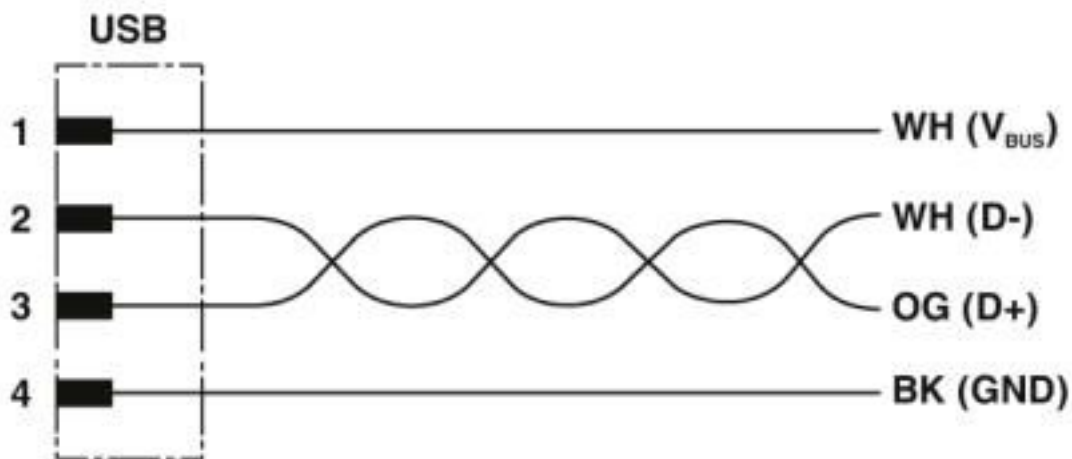
Dimensional drawing



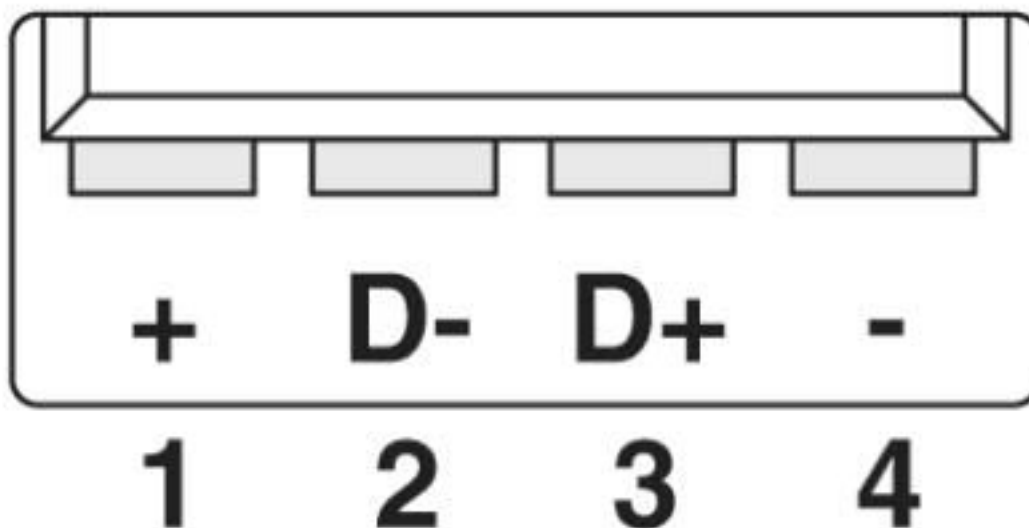
USB connector, type A, IP67

Patch cable - VS-04-2X2X26C7/7-67A/OE/2,0 - 1655755

Circuit diagram



Schematic diagram



Pin assignment plug USB, type A

Classifications

eCl@ss

eCl@ss 10.0.1	27060390
eCl@ss 4.0	24010400
eCl@ss 4.1	24010400
eCl@ss 5.0	19030300
eCl@ss 5.1	19030300
eCl@ss 6.0	27060300
eCl@ss 7.0	27060390

Patch cable - VS-04-2X2X26C7/7-67A/OE/2,0 - 1655755

Classifications

eCl@ss

eCl@ss 8.0	27060390
eCl@ss 9.0	27060390

ETIM

ETIM 2.0	EC000830
ETIM 3.0	EC001855
ETIM 4.0	EC001855
ETIM 5.0	EC001408
ETIM 6.0	EC000748
ETIM 7.0	EC000748

UNSPSC

UNSPSC 6.01	31261501
UNSPSC 7.0901	31261501
UNSPSC 11	31261501
UNSPSC 12.01	31261501
UNSPSC 13.2	26121604
UNSPSC 18.0	26121604
UNSPSC 19.0	26121604
UNSPSC 20.0	26121604
UNSPSC 21.0	26121604

Approvals

Approvals

Approvals

EAC

Ex Approvals

Approval details

EAC		19060508
-----	--	----------

Accessories

Accessories

Protective cover

Patch cable - VS-04-2X2X26C7/7-67A/OE/2,0 - 1655755

Accessories

Protective covers - VS-SCRJ-PC - 1653757



IP67 protective cover, for covering the male inserts in the sleeve housings IP67, VS-SC-RJ-..., VS-04-..., VS-06-... and VS-08-...

Phoenix Contact 2020 © - all rights reserved
<http://www.phoenixcontact.com>

PHOENIX CONTACT GmbH & Co. KG
Flachsmarktstr. 8
32825 Blomberg
Germany
Tel. +49 5235 300
Fax +49 5235 3 41200
<http://www.phoenixcontact.com>

Mouser Electronics

Authorized Distributor

Click to View Pricing, Inventory, Delivery & Lifecycle Information:

[Phoenix Contact:](#)

[1655755](#)