

Panel feed-through - SACC-DSIV-FSB-5CON-L180 SCOTHR - 1542635

Please be informed that the data shown in this PDF Document is generated from our Online Catalog. Please find the complete data in the user's documentation. Our General Terms of Use for Downloads are valid (<http://phoenixcontact.com/download>)



Sensor/actuator flush-type socket, 5-pos., M12 SPEEDCON, B-coded, rear/screw mounting with M12 thread, with polarity protection, with straight THR solder connection



Key Commercial Data

Packing unit	60 pc
GTIN	
GTIN	4046356097901

Technical data

Ambient conditions

Ambient temperature (operation)	-25 °C ... 85 °C (Plug / socket)
Degree of protection	IP67

General

Rated current at 40°C	4 A
Rated voltage	60 V
Number of positions	5
Insulation resistance	≥ 100 MΩ
Coding	B - inverse
Standards/regulations	M12 connector IEC 61076-2-101
Status display	No
Overvoltage category	II
Degree of pollution	3
Connection method	THR solder connection
Mounting type	Rear mounting M12 x 1 With flat nut

Material

Flammability rating according to UL 94	V0
Contact material	CuZn

Panel feed-through - SACC-DSIV-FSB-5CON-L180 SCOTHR - 1542635

Technical data

Material

Contact surface material	Au
Contact carrier material	PPA
Material, knurls	Zinc die-cast, nickel-plated
Sealing material	FKM / EPDM

Standards and Regulations

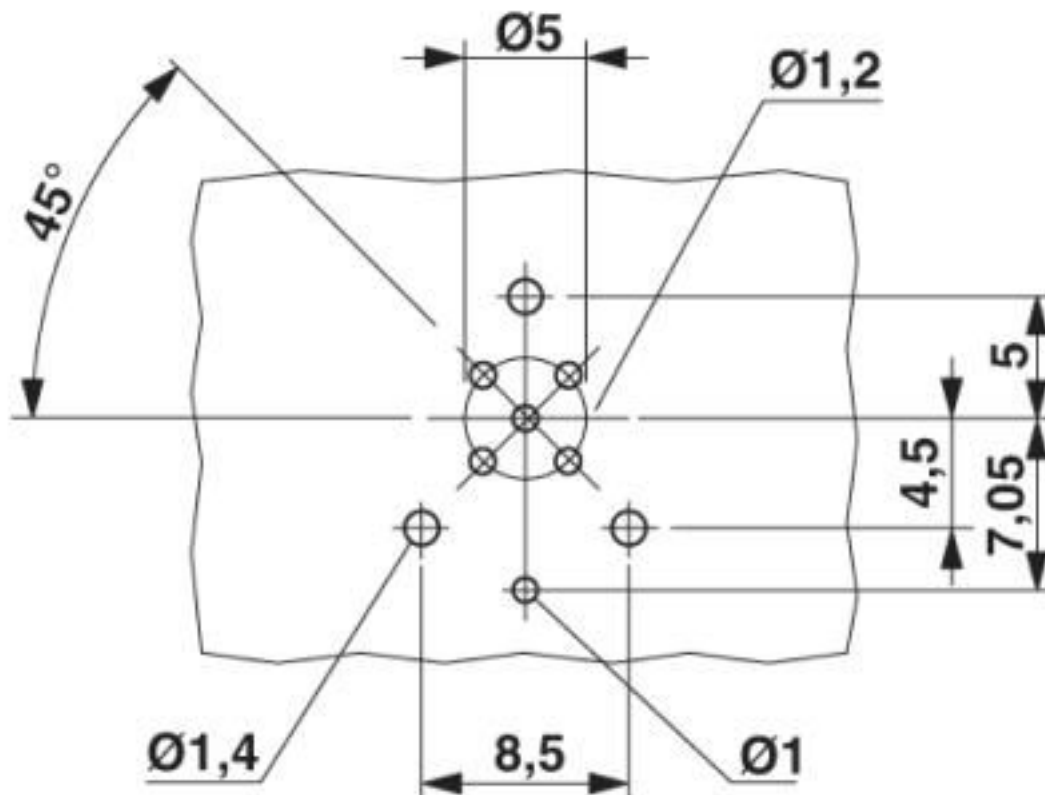
Standards/specifications	M12 connector IEC 61076-2-101
Flammability rating according to UL 94	V0

Environmental Product Compliance

REACH SVHC	Lead 7439-92-1
China RoHS	Environmentally Friendly Use Period = 50 years
	For details about hazardous substances go to tab "Downloads", Category "Manufacturer's declaration"

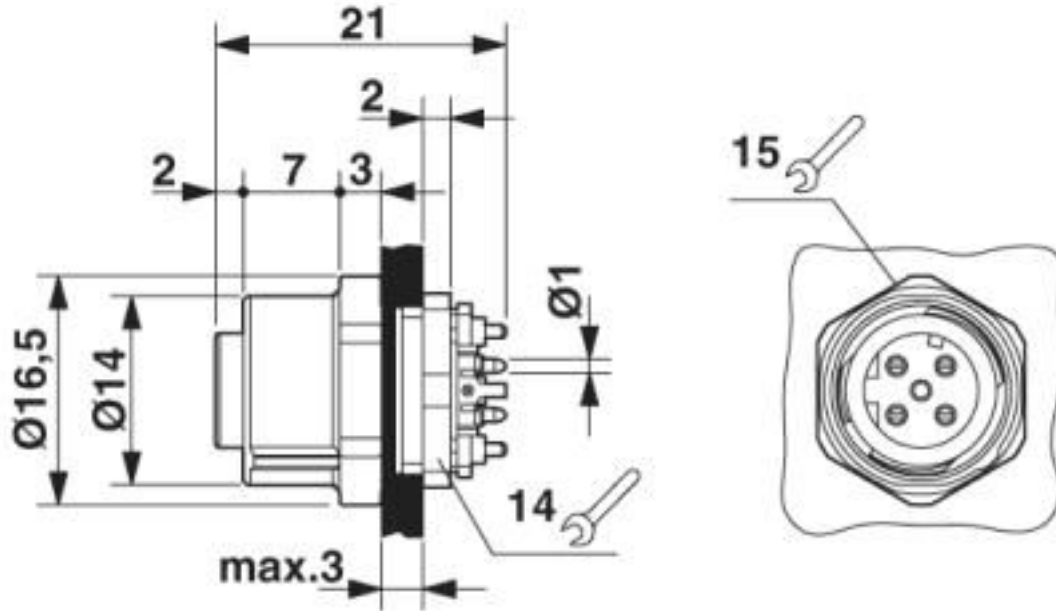
Drawings

Drilling diagram



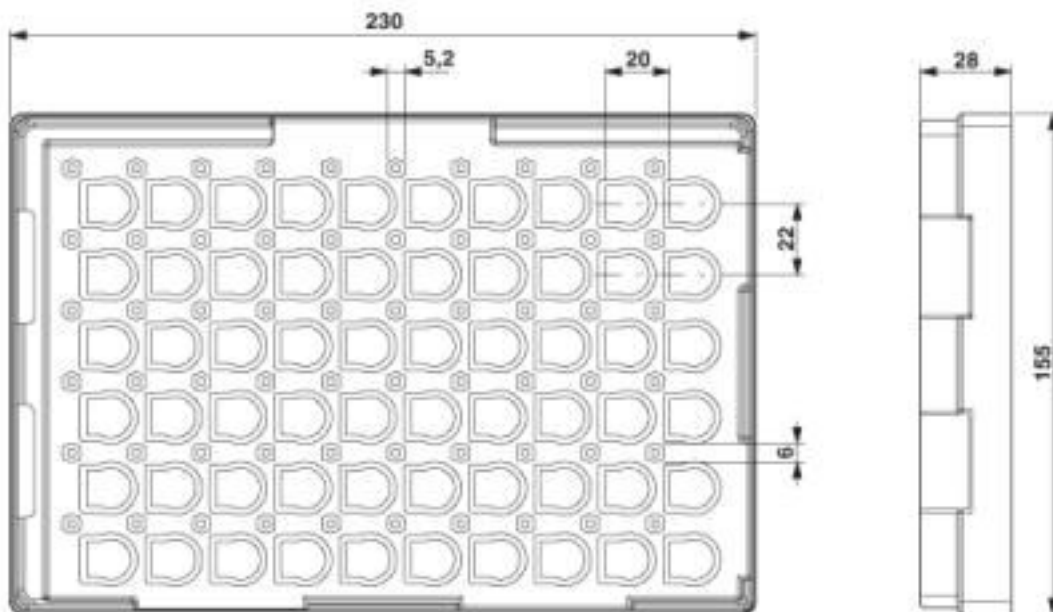
Panel feed-through - SACC-DSIV-FSB-5CON-L180 SCOTHR - 1542635

Dimensional drawing



M12 flush-type connector

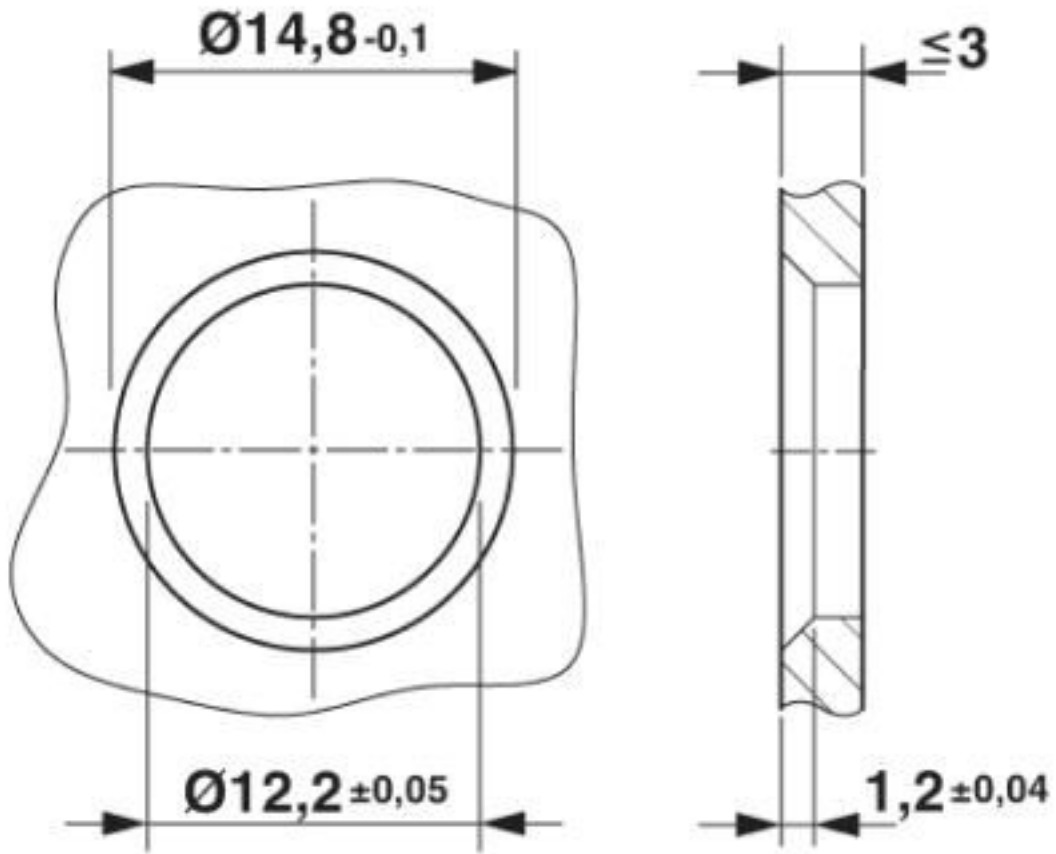
Dimensional drawing



THR tray packaging

Panel feed-through - SACC-DSIV-FSB-5CON-L180 SCOTHR - 1542635

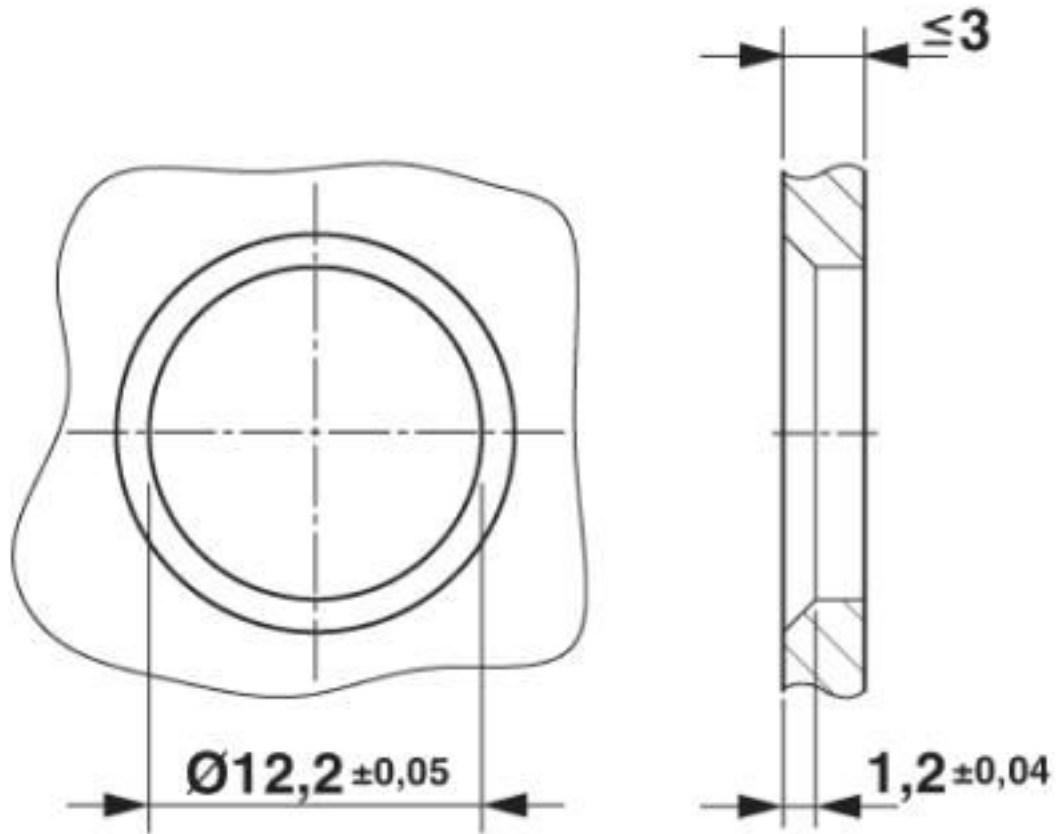
Dimensional drawing



Housing cut-out for two-part M12 flush-type connectors with THR and wave soldering connection, version 1

Panel feed-through - SACC-DSIV-FSB-5CON-L180 SCOTHR - 1542635

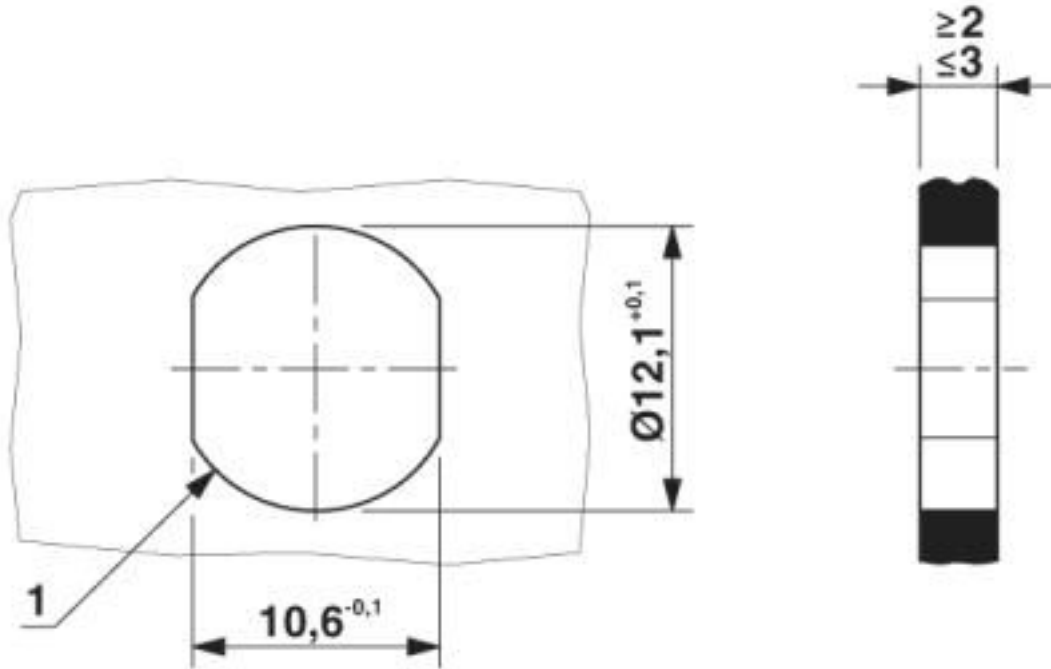
Dimensional drawing



Housing cut-out for two-part M12 flush-type connectors with THR and wave soldering connection, version 2

Panel feed-through - SACC-DSIV-FSB-5CON-L180 SCOTHR - 1542635

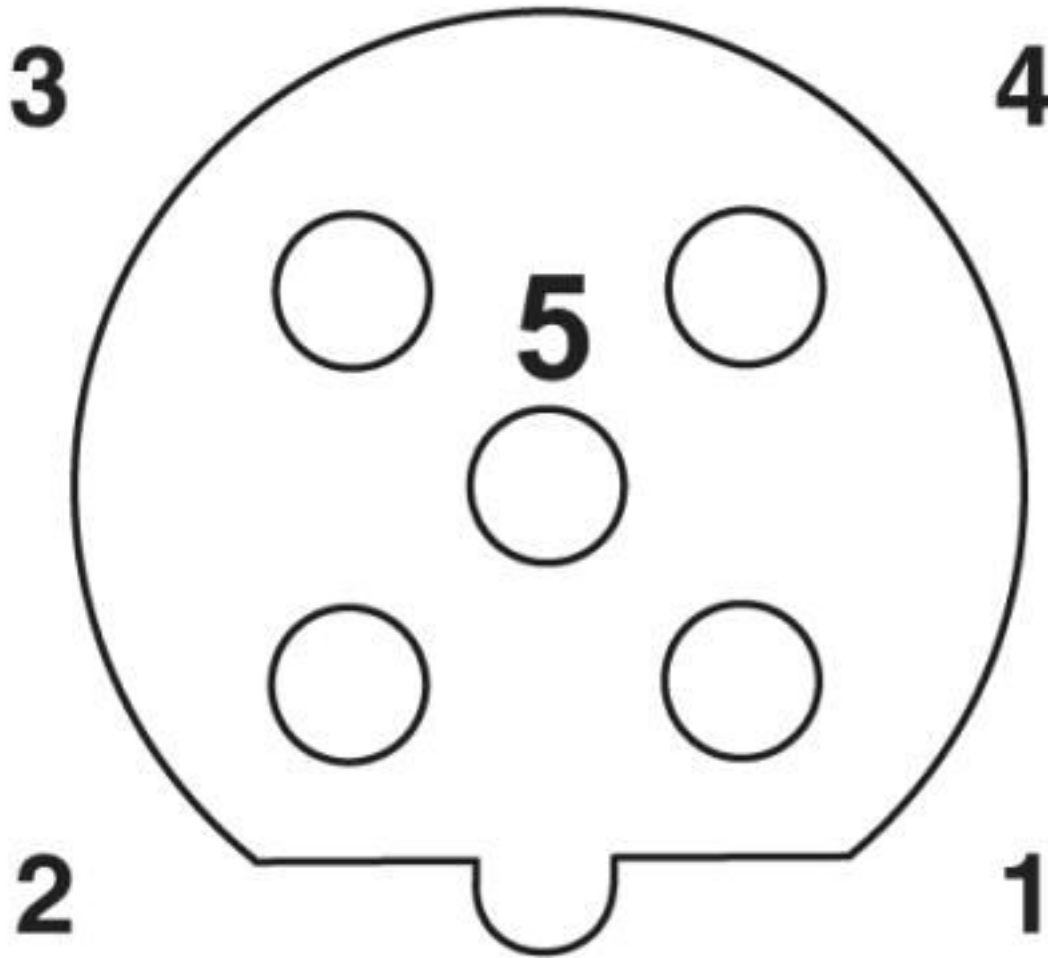
Dimensional drawing



Housing cutout for M12 fastening thread, mounting panel with feed-through hole (alternative with surface as protection against rotation)

Panel feed-through - SACC-DSIV-FSB-5CON-L180 SCOTHR - 1542635

Schematic diagram



Pin assignment M12 socket, 5-pos., B-coded, female side

Classifications

eCl@ss

eCl@ss 10.0.1	27440102
eCl@ss 4.0	27140800
eCl@ss 4.1	27140800
eCl@ss 5.0	27143400
eCl@ss 5.1	27143400
eCl@ss 6.0	27279200
eCl@ss 7.0	27440103
eCl@ss 8.0	27440103
eCl@ss 9.0	27440102

Panel feed-through - SACC-DSIV-FSB-5CON-L180 SCOTHR - 1542635

Classifications

ETIM

ETIM 3.0	EC002061
ETIM 4.0	EC002061
ETIM 5.0	EC002061
ETIM 6.0	EC002061

UNSPSC

UNSPSC 6.01	31251501
UNSPSC 7.0901	31251501
UNSPSC 11	31251501
UNSPSC 12.01	31251501
UNSPSC 13.2	39121413
UNSPSC 18.0	39121413
UNSPSC 19.0	39121413
UNSPSC 20.0	39121413
UNSPSC 21.0	39121413

Approvals

Approvals

Approvals

EAC

Ex Approvals

Approval details

EAC		B.01687
-----	--	---------

Mouser Electronics

Authorized Distributor

Click to View Pricing, Inventory, Delivery & Lifecycle Information:

[Phoenix Contact:](#)

[1542635](#)