

Extension module - PSR-M-E1-DO8-PI - 1105133

Please be informed that the data shown in this PDF Document is generated from our Online Catalog. Please find the complete data in the user's documentation. Our General Terms of Use for Downloads are valid (<http://phoenixcontact.com/download>)



Extension module with 8 signal outputs, TBUS interface, plug-in Push-in terminal block, TBUS connector included

Product Description


The configurable and individually scalable PSRmodular safety system is a flexible safety solution for monitoring your machine or system. The extension module provides the system with additional signal outputs.

Your advantages

- ✓ Economical safety solution with a high level of adaptability to individual requirements
- ✓ Fast startup, thanks to easy hardware and software configuration
- ✓ Machine downtime minimized with comprehensive, easy-to-understand diagnostics
- ✓ Tool-free and time-saving installation with Push-in technology
- ✓ Low housing width of only 22.5mm



Key Commercial Data

Packing unit	1 pc
GTIN	 4 055626 975535
GTIN	4055626975535

Technical data

Dimensions

Width	22.5 mm
Height	116.5 mm
Depth	114.5 mm

Ambient conditions

Ambient temperature (operation)	-10 °C ... 55 °C (observe derating)
Ambient temperature (storage/transport)	-20 °C ... 85 °C
Max. permissible relative humidity (operation)	95 % (non-condensing)
Max. permissible humidity (storage/transport)	95 % (non-condensing)

Extension module - PSR-M-E1-DO8-PI - 1105133

Technical data

Ambient conditions

Maximum altitude	≤ 2000 m (Above sea level)
------------------	----------------------------

Power supply

Designation	A1/A2
Rated control circuit supply voltage U_S	24 V DC -20 % / +20 % (external fuse, typically 4 A)
Rated control supply current I_S	typ. 20 mA
Power consumption at U_S	typ. 0.48 W
Inrush current	1.5 A ($\Delta t = 1$ ms at U_S)
Filter time	typ. 5 ms (at A1 in the event of voltage dips at U_S)
Protective circuit	Serial protection against polarity reversal
	Suppressor diode
Designation	24V/A2
Description	Output supply
Rated control circuit supply voltage U_S	24 V DC -20 % / +20 % (external fuse, typically 4 A)
Rated control supply current I_S	typ. 20 mA (Outputs active, without load)
Current consumption	max. 0.82 A (For $U_S = 24$ V, A2 and full load)
Inrush current	2 A ($\Delta t = 1$ ms at U_S)
Filter time	typ. 1 ms (in the event of voltage dips)
Protective circuit	Inverse-parallel protection against polarity reversal
	Suppressor diode

Alarm outputs

Designation	MO1, MO2, MO3, MO4, MO5, MO6, MO7, MO8
Output description	PNP, IEC 61131-2 Typ 0,1
	non-safety-related
	Reference ground A2
Number of outputs	8
Voltage	24 V DC (via 24 V)
Output voltage range	18.2 V DC ... 27.8 V DC ($U_S - 1$ V)
Output voltage when switched off	max. 0.1 V
Maximum inrush current	1.1 A ($\Delta t = 3$ s at U_S)
Switching frequency	max. $1/4 \times t_{cycle}$ [Hz]
Limiting continuous current	100 mA (per channel)
	400 mA (Total current of all digital signal outputs)
Leakage current	max. 100 μ A
Protective circuit/component	Suppressor diode
Short-circuit protection	Yes (self-limitation at 1.1 A)
Cable length	max. 100 m (per output)

Times

Response time	see user manual
Restart time	min. 5 s (Boot time)

Extension module - PSR-M-E1-DO8-PI - 1105133

Technical data

Times

	max. 10 s (Boot time)
--	-----------------------

General

Nominal operating mode	100% operating factor
Net weight	126 g
Mounting position	vertical or horizontal
Mounting type	DIN rail mounting
Assembly instructions	Observe derating
Degree of protection	IP20
Min. degree of protection of inst. location	IP54
Protection class	III (EN 50178)
Housing material	Polyamide PA non-reinforced
Housing color	yellow
Operating voltage display	1 x green LED
Status display	1 x LED (green), 2 x LED (orange)
	8 x LED (yellow)
Indication	2 x LED (red)

Connection data

Connection method	Push-in connection
pluggable	Yes
Conductor cross section solid min.	0.2 mm ²
Conductor cross section solid max.	2.5 mm ²
Conductor cross section flexible min.	0.2 mm ²
Conductor cross section flexible max.	2.5 mm ²
Conductor cross section AWG min.	24
Conductor cross section AWG max.	16
Stripping length	10 mm

Standards and Regulations

Designation	Air clearances and creepage distances between the power circuits
Standards/regulations	EN 50178
Rated insulation voltage	250 V AC
Rated surge voltage/insulation	Basic insulation 4 kV between all current paths and housing
Degree of pollution	2
Overvoltage category	II
Shock	10g for Δt = 16 ms (continuous shock, 1000 shocks in each space direction)
Vibration (operation)	10 Hz ... 150 Hz, 2g

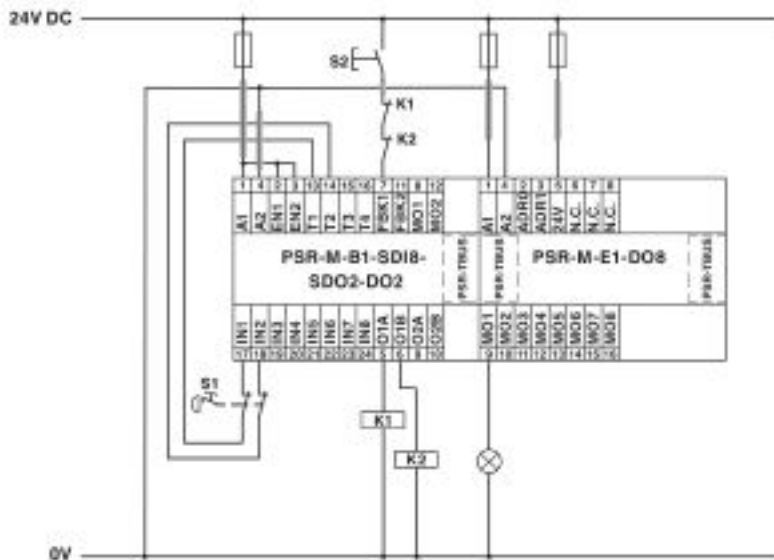
Environmental Product Compliance

China RoHS	Environmentally friendly use period: unlimited = EFUP-e
	No hazardous substances above threshold values

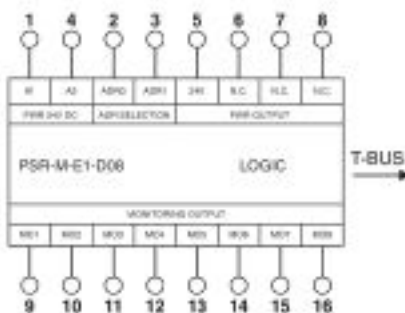
Extension module - PSR-M-E1-DO8-PI - 1105133

Drawings

Application drawing



Block diagram



Classifications

eCl@ss

eCl@ss 10.0.1	27371819
eCl@ss 8.0	27371819
eCl@ss 9.0	27371819

ETIM

ETIM 5.0	EC001449
----------	----------

Approvals

Approvals

Extension module - PSR-M-E1-DO8-PI - 1105133

Approvals

Approvals

UL Listed / cUL Listed / cULus Listed

Ex Approvals

Approval details

UL Listed		http://database.ul.com/cgi-bin/XYV/template/LISEXT/1FRAME/index.htm	FILE E 238705
-----------	--	---	---------------

cUL Listed		http://database.ul.com/cgi-bin/XYV/template/LISEXT/1FRAME/index.htm	FILE E 238705
------------	--	---	---------------

cULus Listed			
--------------	--	--	--

Accessories

Accessories

Coding element

Coding profile - CP-MSTB - 1734634

Coding profile, is inserted into the slot on the plug or inverted header, red insulating material



Coding section - CR-MSTB - 1734401

Coding section, inserted into the recess in the header or the inverted plug, red insulating material



Phoenix Contact 2020 © - all rights reserved
<http://www.phoenixcontact.com>

PHOENIX CONTACT GmbH & Co. KG
Flachmarktstr. 8
32825 Blomberg
Germany
Tel. +49 5235 300
Fax +49 5235 3 41200
<http://www.phoenixcontact.com>

Mouser Electronics

Authorized Distributor

Click to View Pricing, Inventory, Delivery & Lifecycle Information:

[Phoenix Contact:](#)

[1105133](#)