

## Protective covers - HC-COM-HCWS-PL-BK - 1079395


Please be informed that the data shown in this PDF Document is generated from our Online Catalog. Please find the complete data in the user's documentation. Our General Terms of Use for Downloads are valid (<http://phoenixcontact.com/download>)



Protective cover COM, with single locking latch, protective cover material: PA, height: 20.5 mm, Standard, for pin inserts



### Key Commercial Data

Packing unit	1 pc
GTIN	 4 0 5 5 6 2 6 7 9 9 2 1 6
GTIN	4055626799216

### Technical data

#### General

Size	COM
------	-----

#### Ambient conditions

Degree of protection (IP)	IP66
Ambient temperature (operation)	-40 °C ... 125 °C

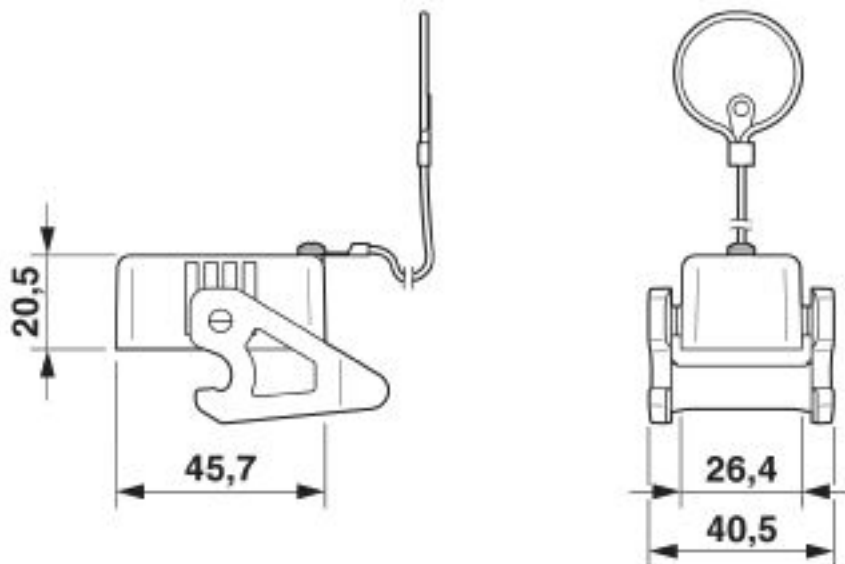
#### Standards and Regulations

Flammability rating according to UL 94	V0
--	----

### Drawings

## Protective covers - HC-COM-HCWS-PL-BK - 1079395

Dimensional drawing



### Classifications

eCl@ss

eCl@ss 10.0.1	27440208
eCl@ss 8.0	27440208
eCl@ss 9.0	27440208

ETIM

ETIM 5.0	EC000437
ETIM 6.0	EC002314
ETIM 7.0	EC002314

Phoenix Contact 2020 © - all rights reserved  
<http://www.phoenixcontact.com>

PHOENIX CONTACT GmbH & Co. KG  
Flachsmarktstr. 8  
32825 Blomberg  
Germany  
Tel. +49 5235 300  
Fax +49 5235 3 41200  
<http://www.phoenixcontact.com>

# Mouser Electronics

Authorized Distributor

Click to View Pricing, Inventory, Delivery & Lifecycle Information:

[Phoenix Contact:](#)

[1079395](#)