

# Sensor/actuator cable - SAC-3P-M 8MS/ 0,6-PUR/M 8FS SH - 1456323

Please be informed that the data shown in this PDF Document is generated from our Online Catalog. Please find the complete data in the user's documentation. Our General Terms of Use for Downloads are valid (<http://phoenixcontact.com/download>)




Sensor/actuator cable, 3-position, PUR halogen-free, black-gray RAL 7021, shielded, Plug straight M8, on Socket straight M8, cable length: 0.6 m

## Your advantages

- ✓ Easy and safe: 100% electrically tested plug-in components
- ✓ Our standard: robust halogen-free PUR cable
- ✓ Reliable signal transmission – 360° shielding in environments with electromagnetic interference



## Key Commercial Data

|              |   |
|--------------|---|
| Packing unit | 1 pc  |
| GTIN         | <br>4 046356 585163 |
| GTIN         | 4046356585163   |

## Technical data

### Dimensions

|  |       |
|--|-------|
| Length of cable                            | 0.6 m |
| Stripping length of the free conductor end | 50 mm |

### Ambient conditions

|                                 |                                  |
|---------------------------------|----------------------------------|
| Ambient temperature (operation) | -25 °C ... 90 °C (Plug / socket) |
| Degree of protection            | IP65                             |
|                                 | IP67                             |

### General

|                       |          |
|-----------------------|----------|
| Rated current at 40°C | 4 A      |
| Rated voltage         | 48 V AC  |
|                       | 60 V DC  |
| Number of positions   | 3        |
| Insulation resistance | ≥ 100 MΩ |

# Sensor/actuator cable - SAC-3P-M 8MS/ 0,6-PUR/M 8FS SH - 1456323

## Technical data

### General

|                              |                              |
|------------------------------|------------------------------|
| Coding                       | A - standard                 |
| Standards/regulations        | M8 connector IEC 61076-2-104 |
| Status display               | No                           |
| Protective circuit/component | unwired                      |
| Overvoltage category         | II                           |
| Degree of pollution          | 3                            |
| Insertion/withdrawal cycles  | ≥ 100                        |

### Material

|  |   |
|--|---|
| Flammability rating according to UL 94 | HB  |
| Contact material                       | CuSn  |
| Contact surface material               | Ni/Au                                       |
| Contact carrier material               | TPU GF                                      |
| Material of grip body                  | TPU, hardly inflammable, self-extinguishing |
| Material, knurls                       | Zinc die-cast, nickel-plated                |
| Sealing material                       | NBR   |

### Standards and Regulations

|  |                              |
|--|------------------------------|
| Standards/specifications               | M8 connector IEC 61076-2-104 |
| Flammability rating according to UL 94 | HB                           |

### Cable

|   |                                       |
|---|---------------------------------------|
| Cable type                                    | PUR halogen-free black                |
| Cable type (abbreviation)                     | PUR                                   |
| Cable abbreviation                            | Li9Y-V1-C-V1-11Y                      |
| UL AWM style                                  | 20549                                 |
| Conductor cross section                       | 3x 0.25 mm <sup>2</sup> (Signal line) |
| AWG signal line                               | 24                                    |
| Conductor structure signal line               | 32x 0.10 mm                           |
| Core diameter including insulation            | 1.17 mm ±0.02 mm (Signal line)        |
| Thickness, insulation                         | ≥ 0.21 mm (Core insulation)           |
|   | ≥ 0.5 mm (Outer cable sheath)         |
| Wire colors                                   | brown, blue, black                    |
| Overall twist                                 | 3 wires, twisted                      |
| Shielding                                     | Braided copper wires                  |
| Optical shield covering                       | 80 %                                  |
| External sheath, color                        | black-gray RAL 7021                   |
| External cable diameter D                     | 4.35 mm ±0.2 mm                       |
| Smallest bending radius, fixed installation   | 22 mm                                 |
| Smallest bending radius, movable installation | 44 mm                                 |
| Number of bending cycles                      | 10000000                              |
| Bending radius                                | 50 mm                                 |

# Sensor/actuator cable - SAC-3P-M 8MS/ 0,6-PUR/M 8FS SH - 1456323

## Technical data

### Cable

|                                 |   |
|---------------------------------|---|
| Traversing path                 | 10 m  |
| Traversing rate                 | 3 m/s   |
| Acceleration                    | 10 m/s <sup>2</sup>   |
| Cable weight                    | 26 kg/km  |
| Outer sheath, material          | PUR   |
| Material conductor insulation   | PP  |
| Conductor material              | Bare Cu litz wires  |
| Insulation resistance           | ≥ 100 GΩ*km   |
| Conductor resistance            | max. 79 Ω/km  |
| Nominal voltage, cable          | 300 V   |
| Test voltage, cable             | 3000 V  |
| Special properties              | Flexible cable conduit capable                                      |
|                                 | Silicone-free   |
|                                 | Free of substances which would hinder coating with paint or varnish |
| Flame resistance                | in accordance with UL 758/1581 FT2                                  |
|                                 | DIN EN 60332-2-2 (20 s)   |
| Halogen-free                    | in accordance with DIN VDE 0472 part 815                            |
| Resistance to oil               | in accordance with DIN EN 60811-2-1                                 |
| Other resistance                | Highly resistant to acids, alkaline solutions and solvents          |
|                                 | hydrolysis and microbe resistant                                    |
|                                 | partly UV-resistant in accordance with DIN EN ISO 4892-2-A          |
| Ambient temperature (operation) | -40 °C ... 80 °C (cable, fixed installation)                        |
|                                 | -25 °C ... 80 °C (cable, flexible installation)                     |

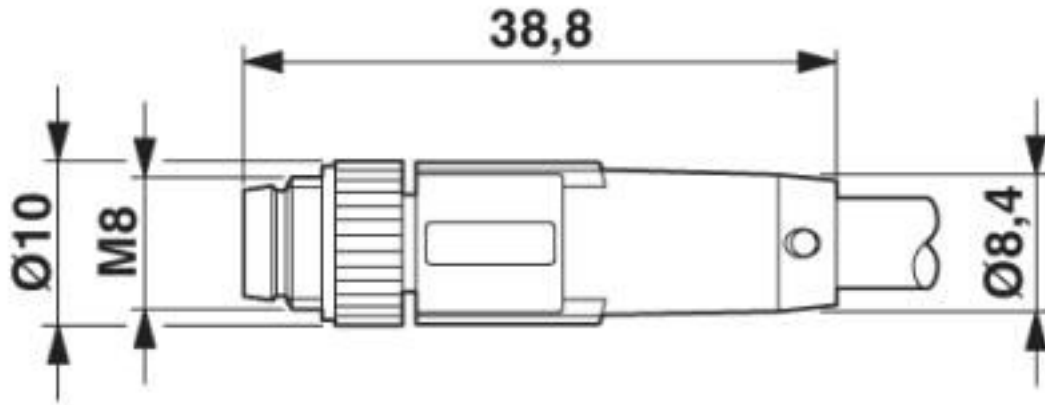
### Environmental Product Compliance

|            |   |
|------------|---|
| REACH SVHC | Lead 7439-92-1  |
| China RoHS | Environmentally Friendly Use Period = 50 years  |
|            | For details about hazardous substances go to tab "Downloads", Category "Manufacturer's declaration" |

### Drawings

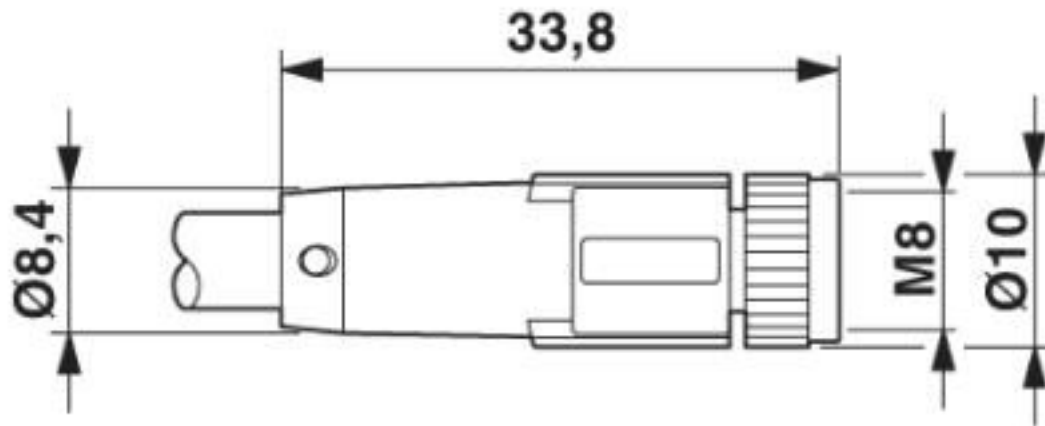
# Sensor/actuator cable - SAC-3P-M 8MS/ 0,6-PUR/M 8FS SH - 1456323

Dimensional drawing



Plug M8 x 1, straight, shielded

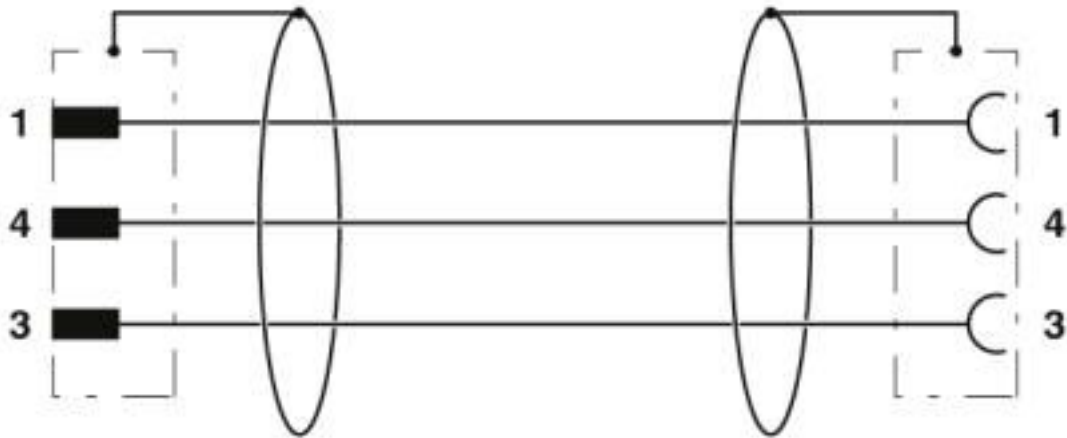
Dimensional drawing



Socket M8 x 1, straight, shielded

## Sensor/actuator cable - SAC-3P-M 8MS/ 0,6-PUR/M 8FS SH - 1456323

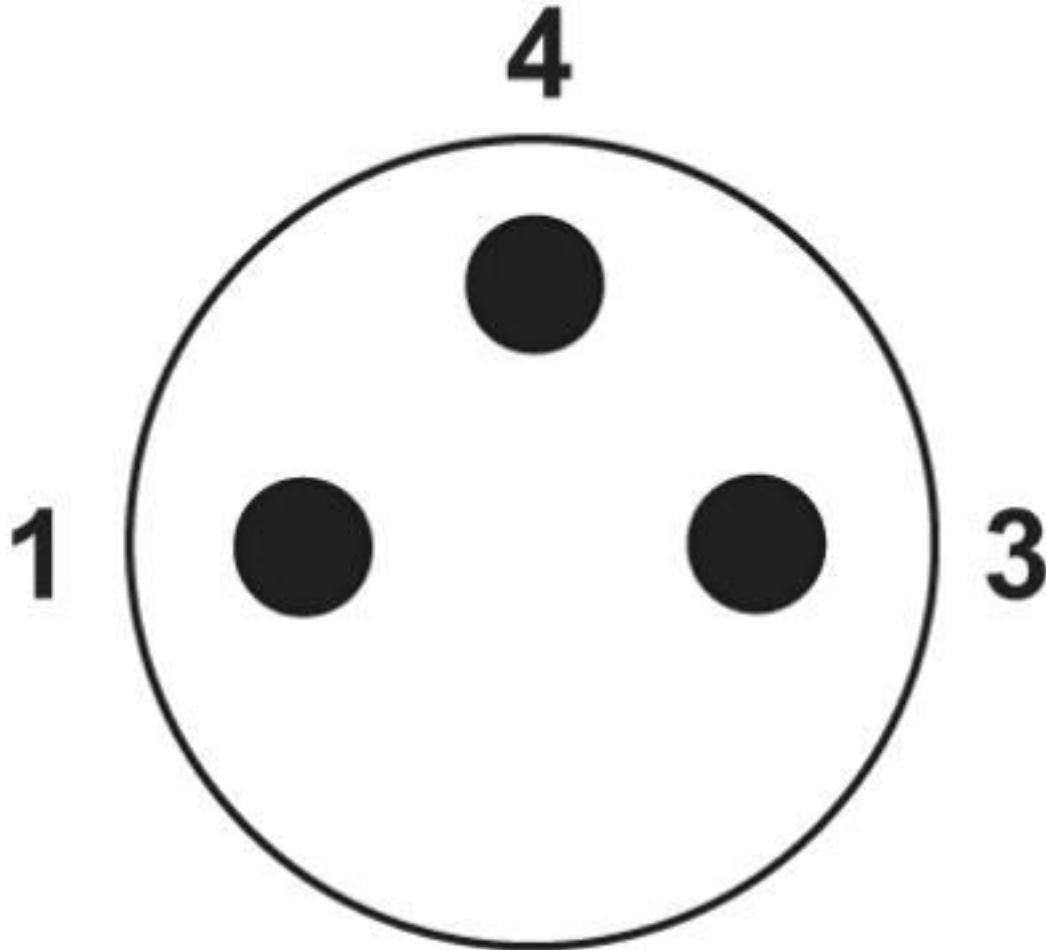
Circuit diagram



Contact assignment of M8 plugs/sockets

## Sensor/actuator cable - SAC-3P-M 8MS/ 0,6-PUR/M 8FS SH - 1456323

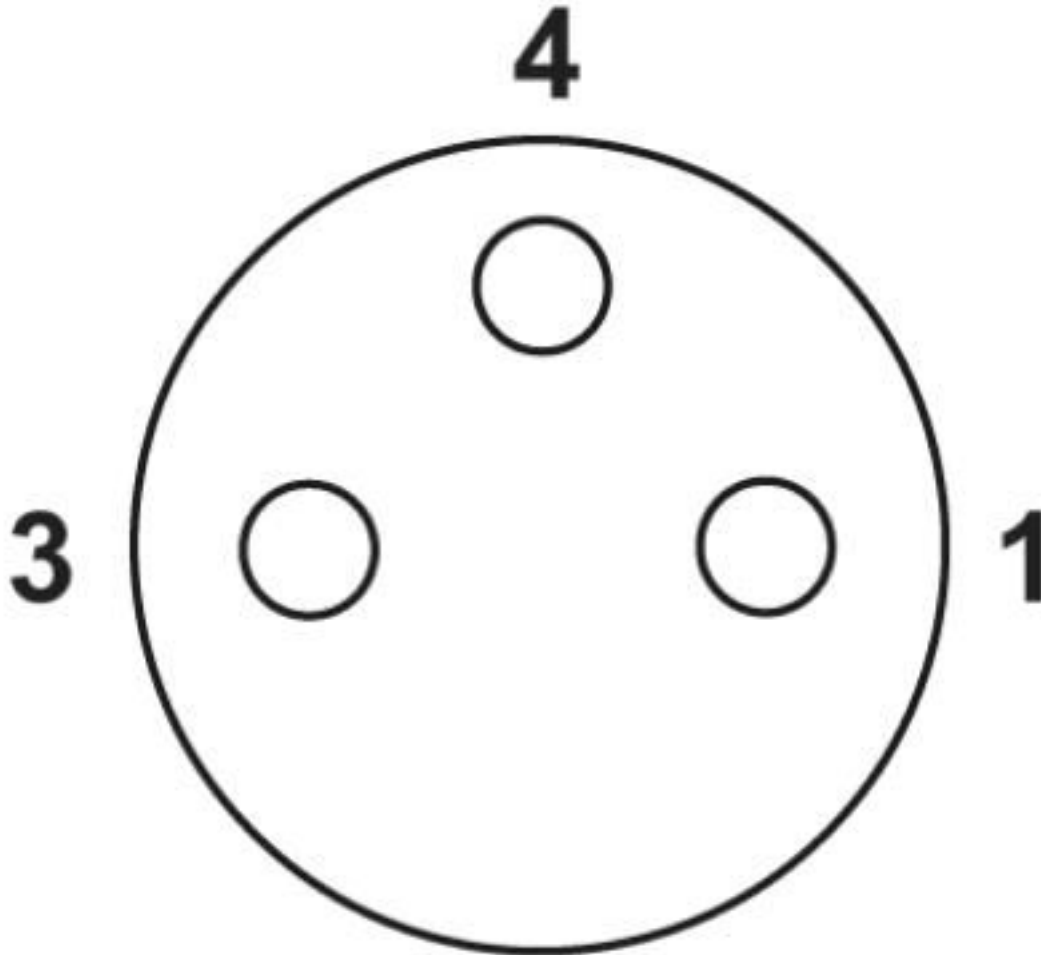
Schematic diagram



Pin assignment M8 plug, 3-pos., view male side

# Sensor/actuator cable - SAC-3P-M 8MS/ 0,6-PUR/M 8FS SH - 1456323

Schematic diagram



Pin assignment M8 socket, 3-pos., view female side

## Classifications

eCl@ss

|               |          |
|---------------|----------|
| eCl@ss 10.0.1 | 27060311 |
| eCl@ss 4.0    | 27060300 |
| eCl@ss 4.1    | 27060300 |
| eCl@ss 5.0    | 27061800 |
| eCl@ss 5.1    | 27061800 |
| eCl@ss 6.0    | 27279200 |
| eCl@ss 7.0    | 27279218 |
| eCl@ss 8.0    | 27279218 |
| eCl@ss 9.0    | 27060311 |

# Sensor/actuator cable - SAC-3P-M 8MS/ 0,6-PUR/M 8FS SH - 1456323

## Classifications

### ETIM

|          |          |
|----------|----------|
| ETIM 3.0 | EC001855 |
| ETIM 4.0 | EC001855 |
| ETIM 5.0 | EC001855 |
| ETIM 6.0 | EC001855 |
| ETIM 7.0 | EC001855 |

### UNSPSC

|               |          |
|---------------|----------|
| UNSPSC 6.01   | 31251501 |
| UNSPSC 7.0901 | 31251501 |
| UNSPSC 11     | 31251501 |
| UNSPSC 12.01  | 31251501 |
| UNSPSC 13.2   | 31251501 |
| UNSPSC 19.0   | 31251501 |
| UNSPSC 20.0   | 31251501 |
| UNSPSC 21.0   | 31251501 |

## Approvals


### Approvals


#### Approvals

UL Listed / cUL Listed / EAC-RoHS / EAC / cULus Listed

#### Ex Approvals

### Approval details

|                    |   |   |               |
|--------------------|---|---|---------------|
| UL Listed          |  | <a href="http://database.ul.com/cgi-bin/XYV/template/LISEXT/1FRAME/index.htm">http://database.ul.com/cgi-bin/XYV/template/LISEXT/1FRAME/index.htm</a> | FILE E 221474 |
| Nominal voltage UN | 60 V  |   |               |
| Nominal current IN | 4 A   |   |               |

|                    |   |   |               |
|--------------------|---|---|---------------|
| cUL Listed         |  | <a href="http://database.ul.com/cgi-bin/XYV/template/LISEXT/1FRAME/index.htm">http://database.ul.com/cgi-bin/XYV/template/LISEXT/1FRAME/index.htm</a> | FILE E 221474 |
| Nominal voltage UN | 60 V  |   |               |
| Nominal current IN | 4 A   |   |               |



# Sensor/actuator cable - SAC-3P-M 8MS/ 0,6-PUR/M 8FS SH - 1456323

## Approvals

|          |  |                          |
|----------|--|--------------------------|
| EAC-RoHS |  | RU D-<br>DE.HB35.B.00387 |
|----------|--|--------------------------|

|     |  |                          |
|-----|--|--------------------------|
| EAC |  | RU C-<br>DE.BL08.B.00286 |
|-----|--|--------------------------|

|              |  |  |
|--------------|--|--|
| cULus Listed |  |  |
|--------------|--|--|

## Accessories

### Accessories

#### Conductor marking

Insert label - PABA WH/23 - 1013779



Insert label, Strip, white, unlabeled, can be labeled with: CMS-P1-PLOTTER, mounting type: thread on, cable diameter range: 1.5 ... 35 mm, lettering field size: 23 x 4 mm, Number of individual labels: 20

Insert label - PABA YE/23 - 1013782



Insert label, Strip, yellow, unlabeled, can be labeled with: CMS-P1-PLOTTER, mounting type: thread on, cable diameter range: 1.5 ... 35 mm, lettering field size: 23 x 4 mm, Number of individual labels: 20

#### Marker pen

Marker pen - B-STIFT - 1051993



Marker pen, for manual labeling of unprinted Zack strips, smear-proof and waterproof, line thickness 0.5 mm

#### Plug for cable screw gland

## Sensor/actuator cable - SAC-3P-M 8MS/ 0,6-PUR/M 8FS SH - 1456323

### Accessories

Screw plug - PROT-M 8 MS-PA-CHAIN - 1430860

M8 sealing cap made of plastic with fixing band for sensor cables, for M8 sockets



---

### Protective cap

Sealing cap - PROT-M 8 FS-PA-CHAIN - 1430857

M8 sealing cap made of plastic with fixing band for sensor cables, for M8 plugs



---

### Screwdriver tools

Tool - SAC BIT M8-D10 - 1208461



Nut for assembling M8 connectors with longitudinal knurl and a knurl diameter of 10 mm, for 4 mm hexagonal drive

---

### Torque tool

Torque screwdriver - TSD 02 SAC - 1208487



Torque screwdriver, with preset torque of 0.2 Nm and 4 mm hexagonal drive for M8 connectors

# Mouser Electronics

Authorized Distributor

Click to View Pricing, Inventory, Delivery & Lifecycle Information:

[Phoenix Contact:](#)

[1456323](#)