

Flush-type connector - SACC-E-M 8FS-5CON-M 8/0,5 DN - 1440106

Please be informed that the data shown in this PDF Document is generated from our Online Catalog. Please find the complete data in the user's documentation. Our General Terms of Use for Downloads are valid (<http://phoenixcontact.com/download>)



Bus system flush-type connector, socket, DeviceNet, 5-pos., M8, front/screw mounting with M8 fastening thread, with 0.5 m PVC litz wire, 5 x 0.25 mm²



Key Commercial Data

Packing unit	1 pc
GTIN	
GTIN	4046356481335

Technical data

Dimensions

Length of cable	0.5 m
-----------------	-------

Ambient conditions

Ambient temperature (operation)	-25 °C ... 85 °C
Degree of protection	IP67

General

Rated current at 40°C	4 A
Rated voltage	30 V
Number of positions	5
Insulation resistance	≥ 100 MΩ
Coding	B-coded
Standards/regulations	M8 connector IEC 61076-2-104
Signal type/category	DeviceNet™
Status display	No
Overvoltage category	II
Degree of pollution	3
Connection method	Individual wires
Mounting type	Front mounting M8 x 0.5

Flush-type connector - SACC-E-M 8FS-5CON-M 8/0,5 DN - 1440106

Technical data

Material

Flammability rating according to UL 94	HB
Contact material	Cu alloy
Contact surface material	Au
Contact carrier material	PUR / PA 6.6
Material, knurls	Nickel-plated brass
Sealing material	Viton

Cable

Cable type	PVC litz wire
Conductor cross section	0.25 mm ²
AWG signal line	26
Wire colors	White, black, gray, red, blue
Material conductor insulation	PVC
Conductor material	Tin-plated Cu litz wires
Standards/specifications	M8 connector IEC 61076-2-104

Standards and Regulations

Standards/specifications	M8 connector IEC 61076-2-104
Flammability rating according to UL 94	HB

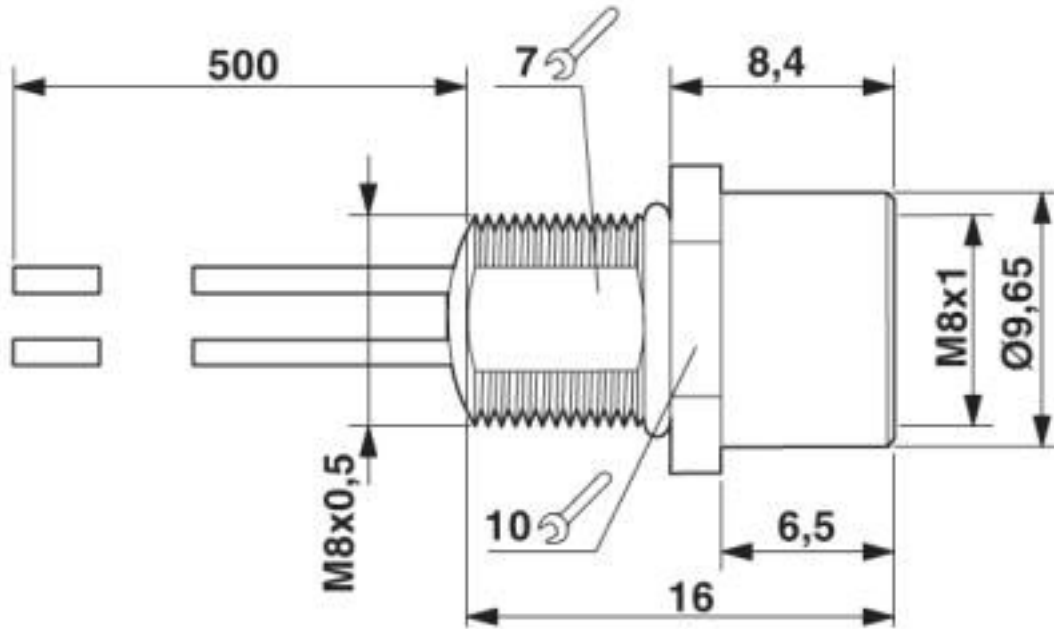
Environmental Product Compliance

REACH SVHC	Lead 7439-92-1
China RoHS	Environmentally Friendly Use Period = 50 years
	For details about hazardous substances go to tab "Downloads", Category "Manufacturer's declaration"

Drawings

Flush-type connector - SACC-E-M 8FS-5CON-M 8/0,5 DN - 1440106

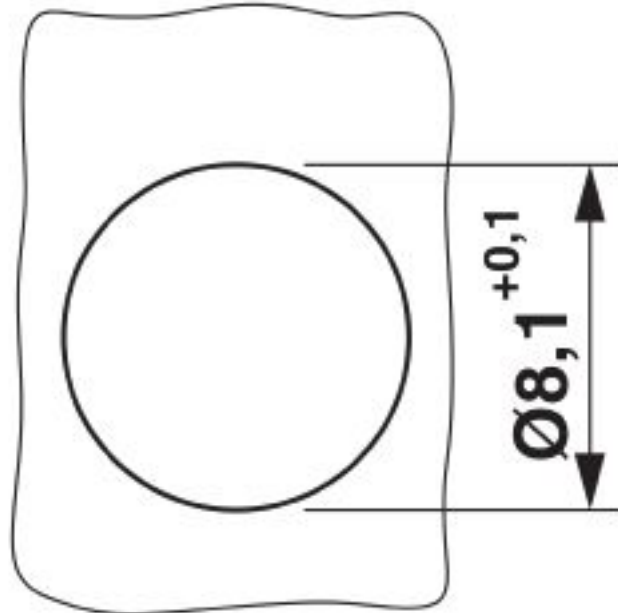
Dimensional drawing



M8 flush-type socket, front mounting

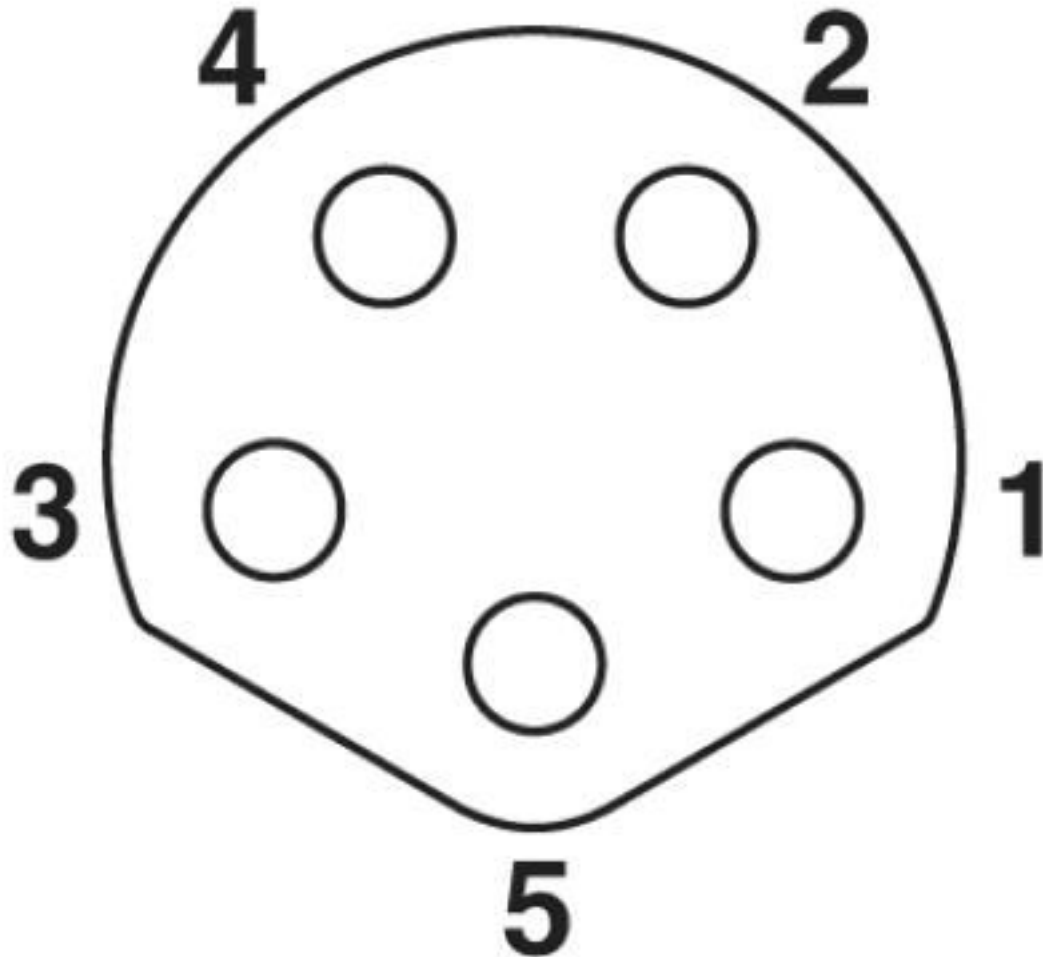
Flush-type connector - SACC-E-M 8FS-5CON-M 8/0,5 DN - 1440106

Dimensional drawing



Flush-type connector - SACC-E-M 8FS-5CON-M 8/0,5 DN - 1440106

Schematic diagram



Connector pin assignment M8 socket, 5-pos., B-coded, socket side view

Classifications

eCl@ss

eCl@ss 10.0.1	27440102
eCl@ss 4.0	27140800
eCl@ss 4.1	27140800
eCl@ss 5.0	27143400
eCl@ss 5.1	27143400
eCl@ss 6.0	27279200
eCl@ss 7.0	27440103
eCl@ss 8.0	27440103
eCl@ss 9.0	27440102

Flush-type connector - SACC-E-M 8FS-5CON-M 8/0,5 DN - 1440106

Classifications

ETIM

ETIM 3.0	EC002061
ETIM 4.0	EC002061
ETIM 5.0	EC002061
ETIM 6.0	EC002061

UNSPSC

UNSPSC 6.01	31251501
UNSPSC 7.0901	31251501
UNSPSC 11	31251501
UNSPSC 12.01	31251501
UNSPSC 13.2	39121413
UNSPSC 18.0	39121413
UNSPSC 19.0	39121413
UNSPSC 20.0	39121413
UNSPSC 21.0	39121413

Approvals

Approvals

Approvals

EAC

Ex Approvals

Approval details

EAC		B.01687
-----	--	---------

Mouser Electronics

Authorized Distributor

Click to View Pricing, Inventory, Delivery & Lifecycle Information:

[Phoenix Contact:](#)

[1440106](#)