

# Flush-type connector - SACC-CI-M12FSB-5CON-L90 SCO - 1436657

Please be informed that the data shown in this PDF Document is generated from our Online Catalog. Please find the complete data in the user's documentation. Our General Terms of Use for Downloads are valid (<http://phoenixcontact.com/download>)




Sensor/actuator flush-type connector, female connector, 5-pos., B-coded, with angled solder connection, contact insert only

The figure shows a shielded version



## Key Commercial Data

|              |   |
|--------------|---|
| Packing unit | 20 pc   |
| GTIN         | <br>4 046356 438728 |
| GTIN         | 4046356438728   |

## Technical data

### Ambient conditions

|                                 |                                  |
|---------------------------------|----------------------------------|
| Ambient temperature (operation) | -25 °C ... 85 °C (Plug / socket) |
| Degree of protection            | IP67                             |

### General

|                       |             |
|-----------------------|-------------|
| Rated current at 40°C | 4 A         |
| Rated voltage         | 60 V        |
| Number of positions   | 5           |
| Insulation resistance | ≥ 100 MΩ    |
| Coding                | B - inverse |
| Status display        | No          |
| Overvoltage category  | II          |
| Degree of pollution   | 3           |
| Connection method     | Solder pins |

### Material

|  |      |
|--|------|
| Flammability rating according to UL 94 | V0   |
| Contact material                       | CuZn |
| Contact surface material               | Au   |

# Flush-type connector - SACC-CI-M12FSB-5CON-L90 SCO - 1436657

## Technical data

### Material

|                          |        |
|--------------------------|--------|
| Contact carrier material | PA 6.6 |
|--------------------------|--------|

### Standards and Regulations

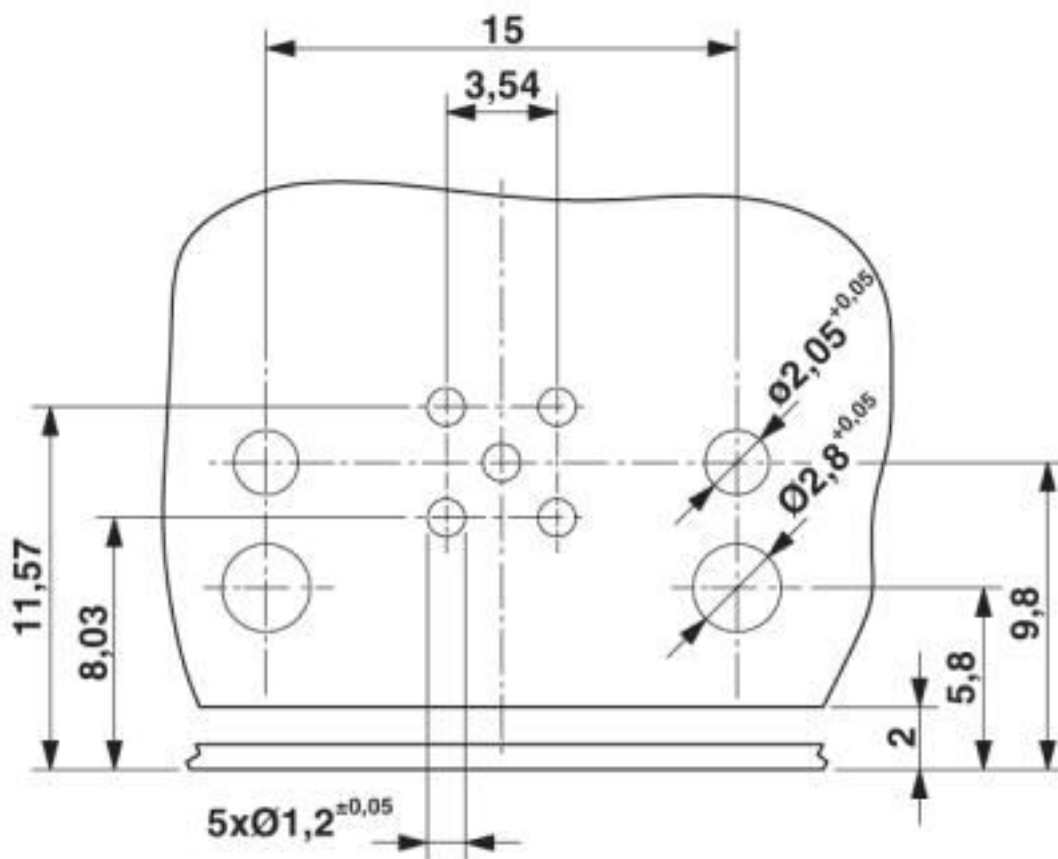
|  |    |
|--|----|
| Flammability rating according to UL 94 | V0 |
|--|----|

### Environmental Product Compliance

|            |   |
|------------|---|
| REACH SVHC | Lead 7439-92-1  |
| China RoHS | Environmentally Friendly Use Period = 50 years  |
|            | For details about hazardous substances go to tab "Downloads", Category "Manufacturer's declaration" |

## Drawings

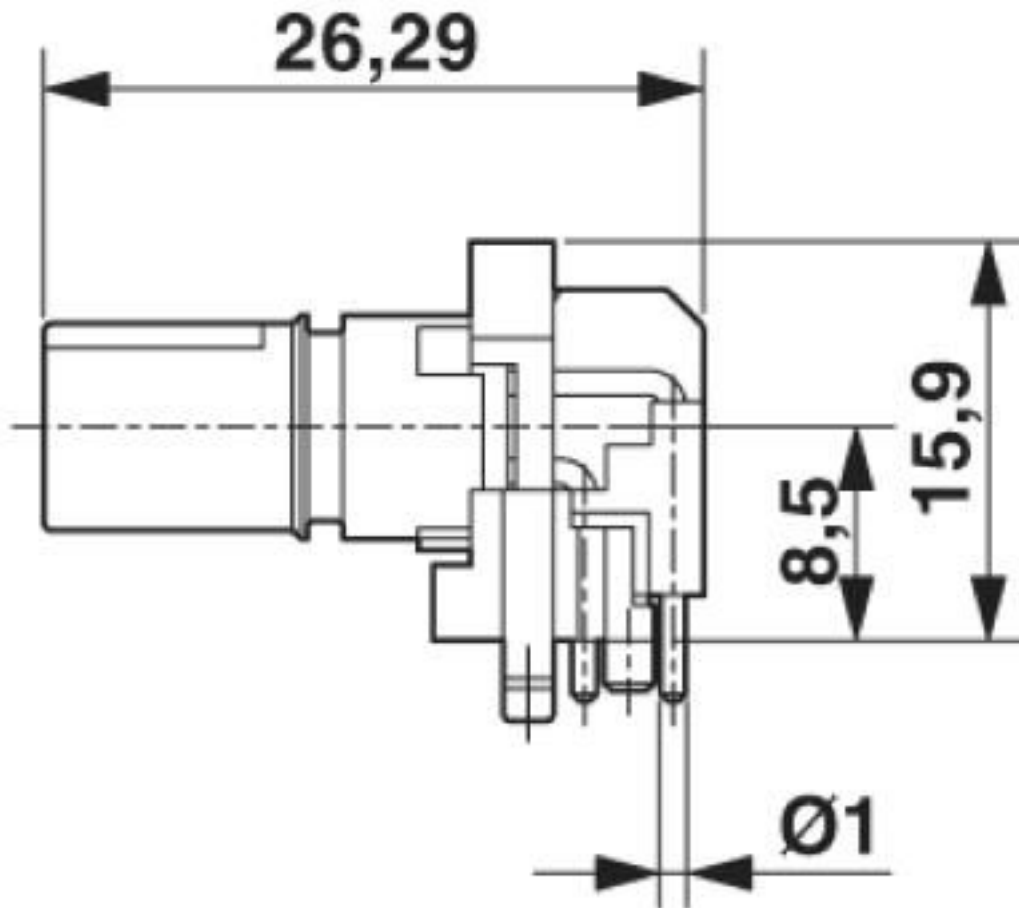
Drilling diagram



Drilling diagram only valid in connection with the SACC-M12-SCO NUT L90 housing (order no. 1432460)

# Flush-type connector - SACC-CI-M12FSB-5CON-L90 SCO - 1436657

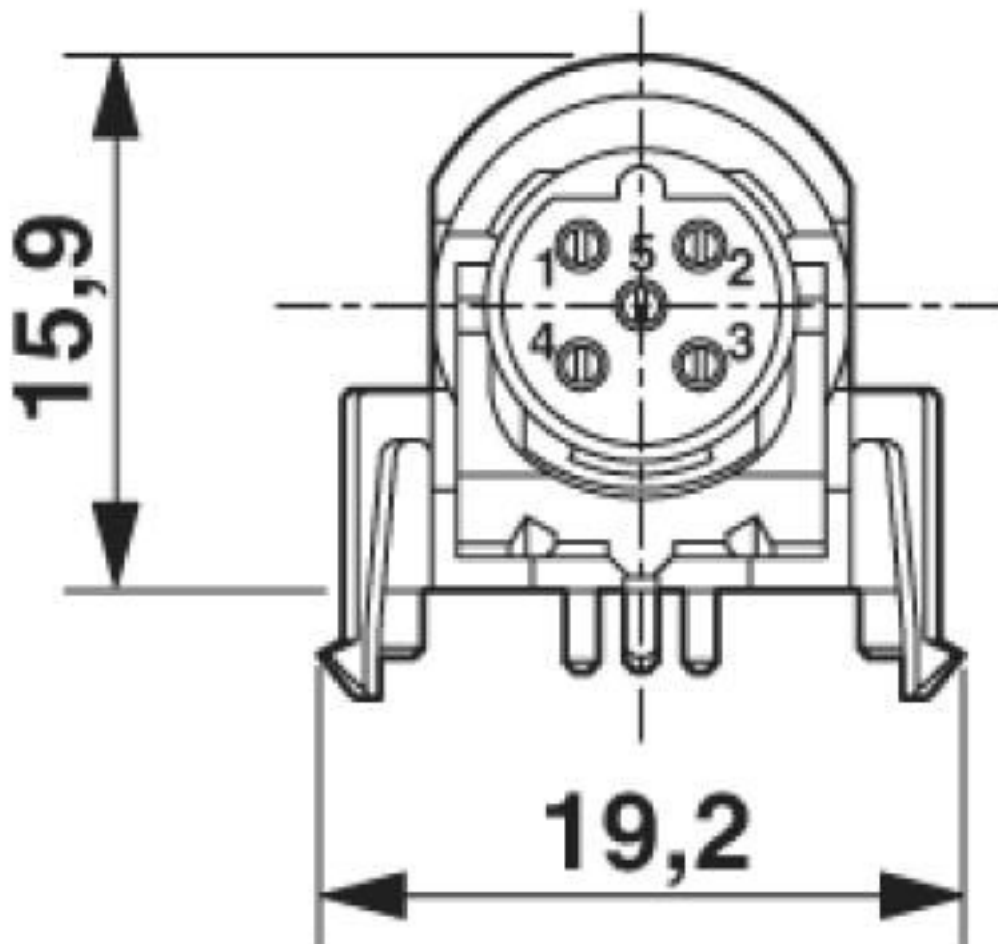
Dimensional drawing



M12 flush-type connector, socket, contact carrier, side view

# Flush-type connector - SACC-CI-M12FSB-5CON-L90 SCO - 1436657

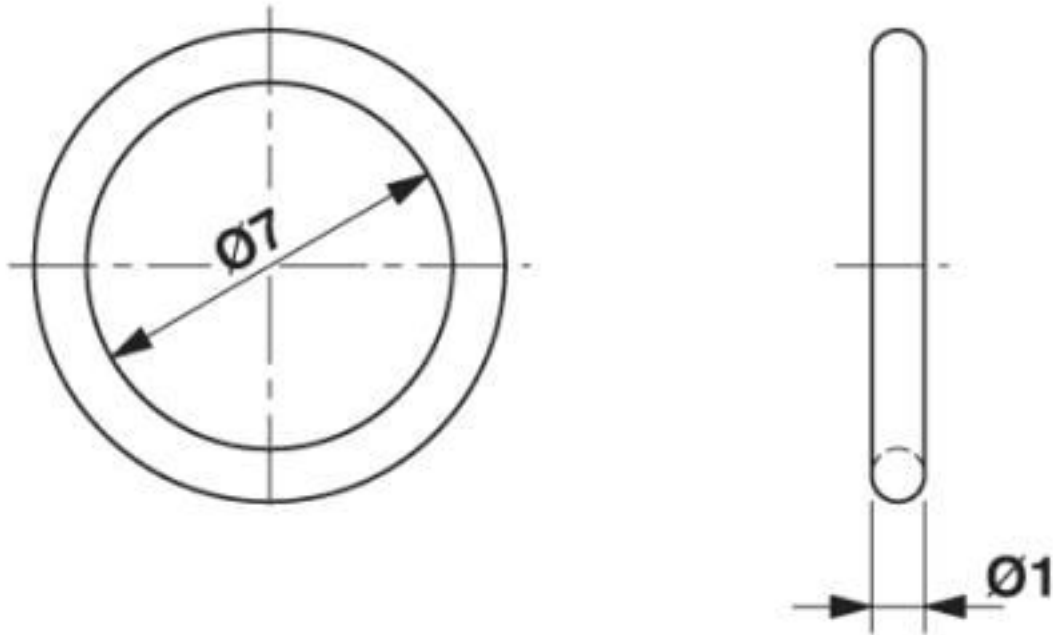
Dimensional drawing



M12 flush-type connector, socket, contact carrier, front view

## Flush-type connector - SACC-CI-M12FSB-5CON-L90 SCO - 1436657

Dimensional drawing

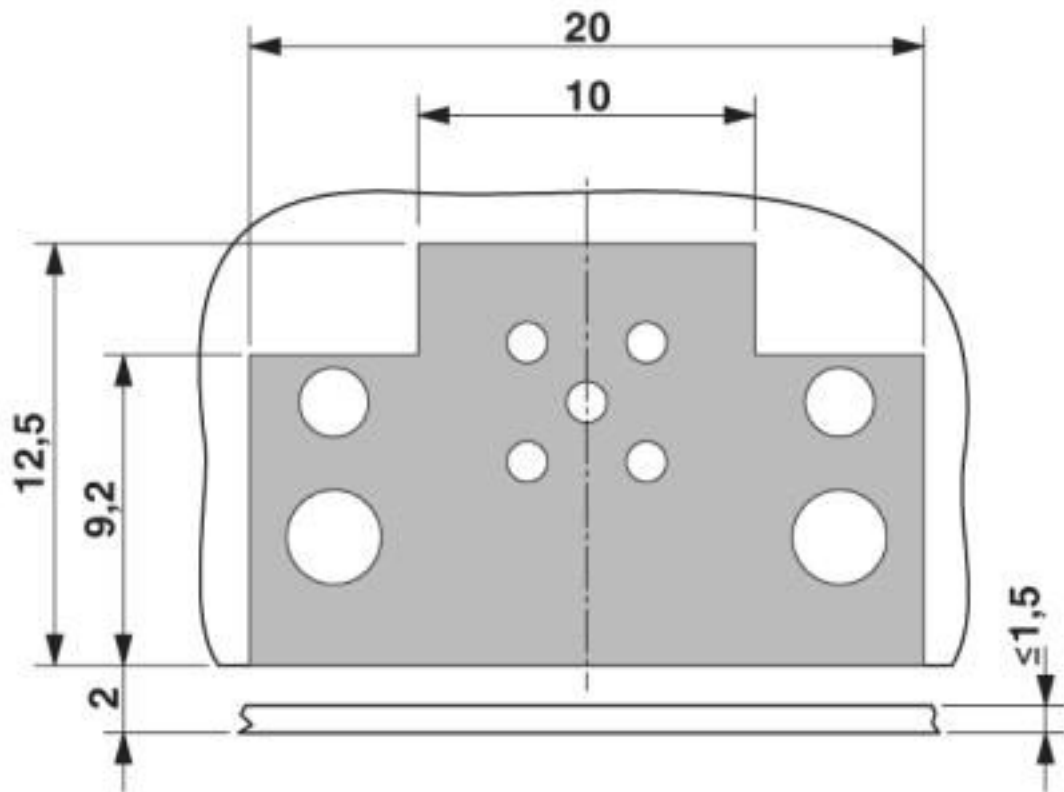


Optionally with O-ring (green) for tight seal when plugged in.

- the axial mating force of 80 N per connector may not be exceeded when using with assembled O-ring!
- Avoid radial forces!

# Flush-type connector - SACC-CI-M12FSB-5CON-L90 SCO - 1436657

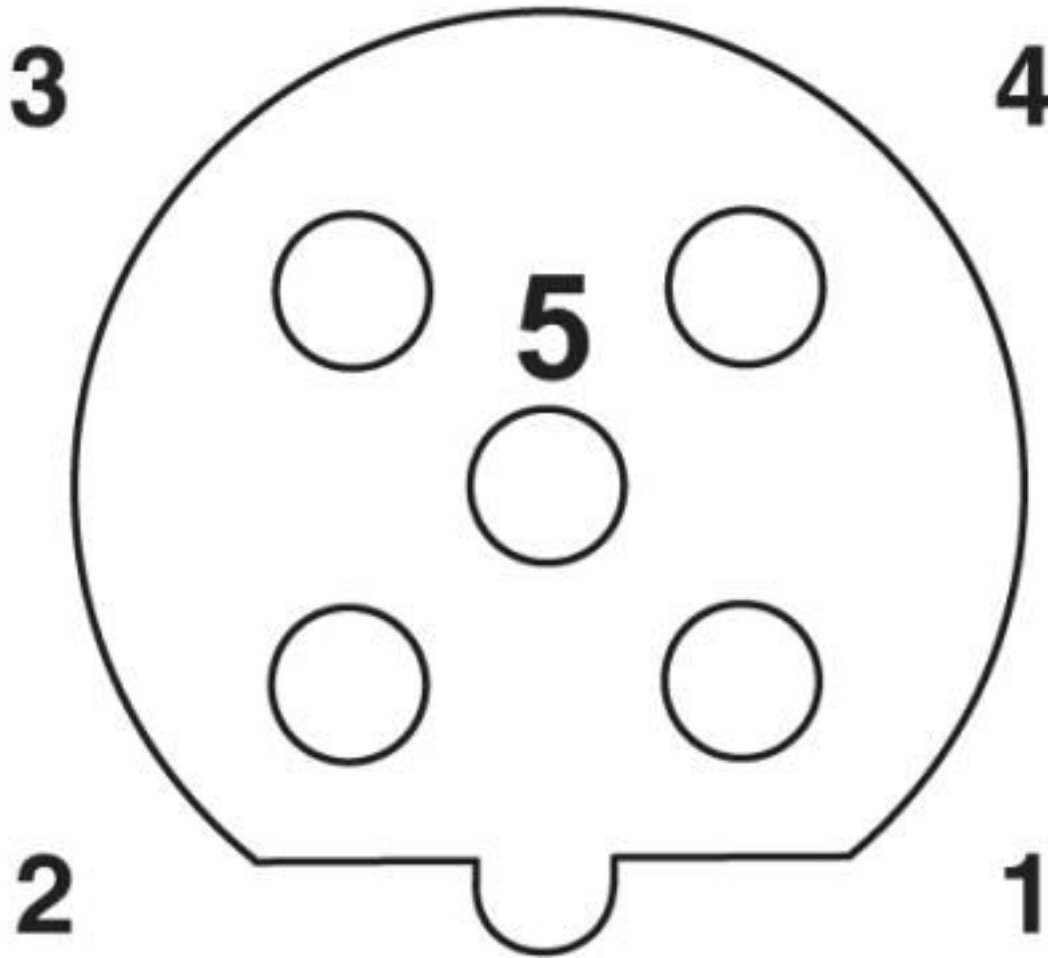
Dimensional drawing



Locked area on the PCB

# Flush-type connector - SACC-CI-M12FSB-5CON-L90 SCO - 1436657

Schematic diagram



Pin assignment M12 socket, 5-pos., B-coded, female side

## Classifications

eCl@ss

|               |          |
|---------------|----------|
| eCl@ss 10.0.1 | 27440102 |
| eCl@ss 4.0    | 27260700 |
| eCl@ss 4.1    | 27260700 |
| eCl@ss 5.0    | 27260700 |
| eCl@ss 5.1    | 27260700 |
| eCl@ss 6.0    | 27279200 |
| eCl@ss 7.0    | 27440103 |
| eCl@ss 8.0    | 27440103 |
| eCl@ss 9.0    | 27440102 |

# Flush-type connector - SACC-CI-M12FSB-5CON-L90 SCO - 1436657

## Classifications

### ETIM

|          |          |
|----------|----------|
| ETIM 3.0 | EC002061 |
| ETIM 4.0 | EC002061 |
| ETIM 5.0 | EC002061 |
| ETIM 6.0 | EC002061 |

### UNSPSC

|               |          |
|---------------|----------|
| UNSPSC 6.01   | 31251501 |
| UNSPSC 7.0901 | 31251501 |
| UNSPSC 11     | 31251501 |
| UNSPSC 12.01  | 31251501 |
| UNSPSC 13.2   | 39121413 |
| UNSPSC 18.0   | 39121413 |
| UNSPSC 19.0   | 39121413 |
| UNSPSC 20.0   | 39121413 |
| UNSPSC 21.0   | 39121413 |

## Approvals


### Approvals


#### Approvals

UL Recognized / cUL Recognized / EAC / cULus Recognized

#### Ex Approvals

### Approval details

|                            |   |   |               |
|----------------------------|---|---|---------------|
| UL Recognized              |  | <a href="http://database.ul.com/cgi-bin/XYV/template/LISEXT/1FRAME/index.htm">http://database.ul.com/cgi-bin/XYV/template/LISEXT/1FRAME/index.htm</a> | FILE E 118976 |
| Nominal voltage UN         | 60 V  |   |               |
| Nominal current IN         | 4 A   |   |               |
| mm <sup>2</sup> /AWG/kcmil | 22  |   |               |

|                    |   |   |               |
|--------------------|---|---|---------------|
| cUL Recognized     |  | <a href="http://database.ul.com/cgi-bin/XYV/template/LISEXT/1FRAME/index.htm">http://database.ul.com/cgi-bin/XYV/template/LISEXT/1FRAME/index.htm</a> | FILE E 118976 |
| Nominal voltage UN | 60 V  |   |               |



## Flush-type connector - SACC-CI-M12FSB-5CON-L90 SCO - 1436657

### Approvals

|                                |     |
|--------------------------------|-----|
| Nominal current I <sub>N</sub> | 4 A |
| mm <sup>2</sup> /AWG/kcmil     | 22  |

|     |  |         |
|-----|--|---------|
| EAC |  | B.01687 |
|-----|--|---------|

|                  |  |
|------------------|--|
| cULus Recognized |  |
|------------------|--|

### Accessories

#### Necessary add-on products

Housing screw connection - SACC-M12-SCO NUT L 90 - 1432460



M12-SPEEDCON housing screw connection for M12 female inserts, with flat gasket, for all Speedcon-compatible THR and wave soldering contact carriers

Phoenix Contact 2020 © - all rights reserved  
<http://www.phoenixcontact.com>

PHOENIX CONTACT GmbH & Co. KG  
Flachsmarktstr. 8  
32825 Blomberg  
Germany  
Tel. +49 5235 300  
Fax +49 5235 3 41200  
<http://www.phoenixcontact.com>

# Mouser Electronics

Authorized Distributor

Click to View Pricing, Inventory, Delivery & Lifecycle Information:

[Phoenix Contact:](#)

[1436657](#)