

Housing screw connection - SACC-M12-SCO NUT L 90 - 1432460

Please be informed that the data shown in this PDF Document is generated from our Online Catalog. Please find the complete data in the user's documentation. Our General Terms of Use for Downloads are valid (<http://phoenixcontact.com/download>)




M12-SPEEDCON housing screw connection for M12 female inserts, with flat gasket, for all Speedcon-compatible THR and wave soldering contact carriers

Your advantages

- ✓ Easy device integration, thanks to mechanical port screw connections with threaded fastening
- ✓ Flexible PCB assembly: two-piece connectors for wave and THR soldering
- ✓ SPEEDCON fast locking system reduces cabling times



Key Commercial Data

Packing unit	10 pc
Minimum order quantity	10 pc
GTIN	 4 046356 410731
GTIN	4046356410731

Technical data

Ambient conditions

Ambient temperature (operation)	-25 °C ... 85 °C (Plug / socket)
	-40 °C ... 85 °C (without mechanical actuation)
Degree of protection	IP67 (correctly plugged in and locked)

General

Standards/regulations	IEC 61076-2-101
Torque	1.5 Nm ... 2 Nm (Installation-side)
Mounting type	M12 x 1

Material

Contact material	CuZn
Contact surface material	Ni/Au
Contact carrier material	PA 6.6

Housing screw connection - SACC-M12-SCO NUT L 90 - 1432460

Technical data

Material

Material of grip body	Zinc die-cast, nickel-plated
Material, knurts	Zinc die-cast, nickel-plated
Material	Zinc die-cast (nickel-plated)
Sealing material	EPDM (Internal O-ring)
	HNBR (Flat gasket)

Cable

Standards/specifications	IEC 61076-2-101
Ambient temperature (operation)	-40 °C ... 85 °C (cable, fixed installation)
	-25 °C ... 85 °C (cable, flexible installation)

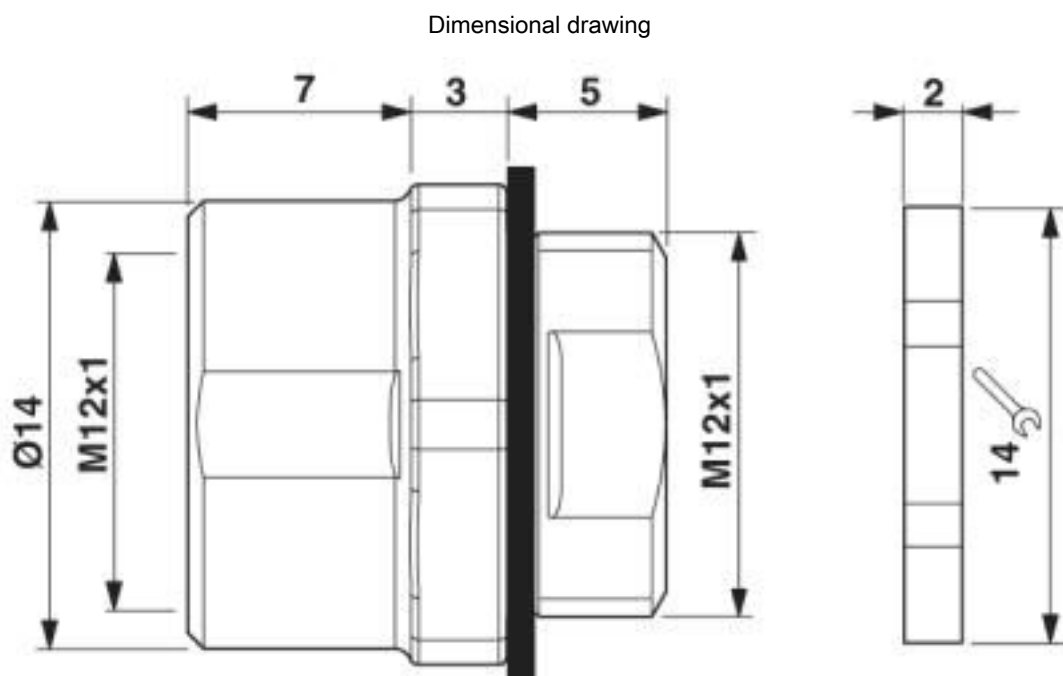
Standards and Regulations

Standards/specifications	IEC 61076-2-101
--------------------------	-----------------

Environmental Product Compliance

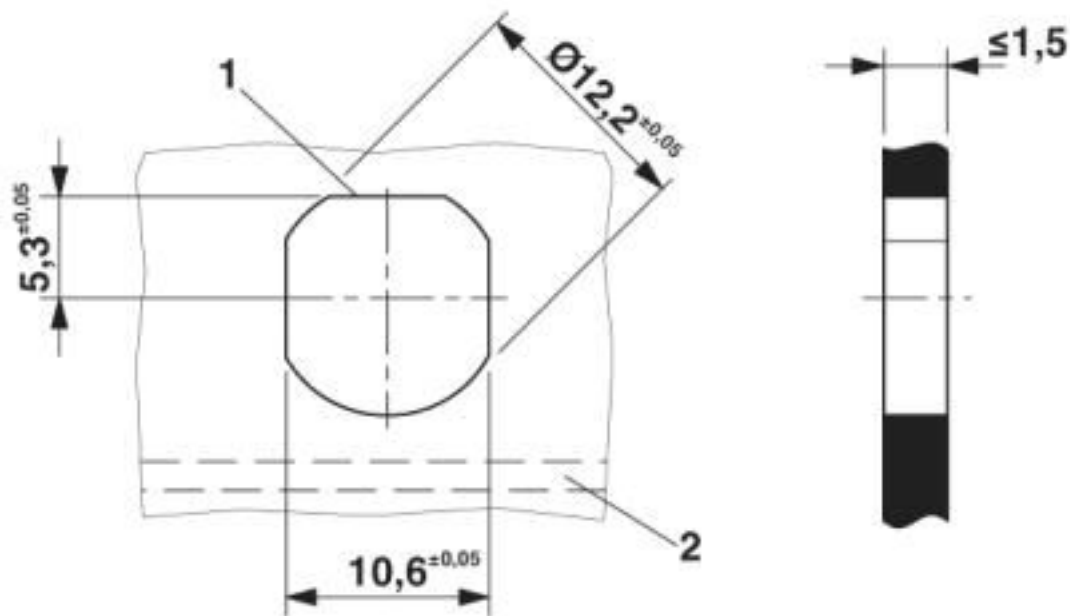
REACH SVHC	Lead 7439-92-1
China RoHS	Environmentally Friendly Use Period = 50 years
	For details about hazardous substances go to tab "Downloads", Category "Manufacturer's declaration"

Drawings



Housing screw connection - SACC-M12-SCO NUT L 90 - 1432460

Dimensional drawing



Housing cutout for M12 fastening thread, mounting panel with feed-through hole (alternative with surface as protection against rotation)

Classifications

eCl@ss

eCl@ss 10.0.1	27440102
eCl@ss 4.0	27140800
eCl@ss 4.1	27140800
eCl@ss 5.0	27143400
eCl@ss 5.1	27143400
eCl@ss 6.0	27279200
eCl@ss 7.0	27440103
eCl@ss 8.0	27440103
eCl@ss 9.0	27440102

ETIM

ETIM 3.0	EC002350
ETIM 4.0	EC002350
ETIM 5.0	EC002061
ETIM 6.0	EC002061

UNSPSC

UNSPSC 6.01	31251501
UNSPSC 7.0901	31251501
UNSPSC 11	31251501
UNSPSC 12.01	31251501

Housing screw connection - SACC-M12-SCO NUT L 90 - 1432460

Classifications

UNSPSC

UNSPSC 13.2	39121413
UNSPSC 18.0	39121413
UNSPSC 19.0	39121413
UNSPSC 20.0	39121413
UNSPSC 21.0	39121413

Approvals

Approvals

Approvals

EAC

Ex Approvals

Approval details

EAC		B.01687
-----	---	---------

Phoenix Contact 2020 © - all rights reserved
<http://www.phoenixcontact.com>

PHOENIX CONTACT GmbH & Co. KG
Flachsmarktstr. 8
32825 Blomberg
Germany
Tel. +49 5235 300
Fax +49 5235 3 41200
<http://www.phoenixcontact.com>

Mouser Electronics

Authorized Distributor

Click to View Pricing, Inventory, Delivery & Lifecycle Information:

[Phoenix Contact:](#)

[1432460](#)