

Housing - HC-HPR-D07-SHFH-1SSM20-EMR-BK - 1424641

Please be informed that the data shown in this PDF Document is generated from our Online Catalog. Please find the complete data in the user's documentation. Our General Terms of Use for Downloads are valid (<http://phoenixcontact.com/download>)




Box mounting bases D7, For screw locking, material: Zinc die-cast, cable outlets: 1, lateral, height: 41.5 mm, cable gland: none, support sleeve: no, 1x M20, protective cover: no, Railway applications, for increased environmental and EMC requirements, HPR series, enclosed floor

Your advantages

- ✔ Vibration and shock: IEC 61373/EN 50155, category 1, class 1B



Key Commercial Data

Packing unit	1 pc
GTIN	 4 055626 375694
GTIN	4055626375694

Technical data

Dimensions

Height	41.5 mm
Width	51 mm
Length	52 mm

Ambient conditions

Degree of protection (IP)	IP66 (with sealing screw)
	IP68 (0.4 bar / 30 min. with sealing screw)
	IP69 (ISO 20653:2013-02)
Ambient temperature (operation)	-40 °C ... 125 °C

General

Note	for contact inserts HC-D7, D8, A3, A4, HS2-D7, Q5, Q7
Size	D7
Housing type	Box mounting bases
Color	black
Locking type	For screw locking

Housing - HC-HPR-D07-SHFH-1SSM20-EMR-BK - 1424641

Technical data

General

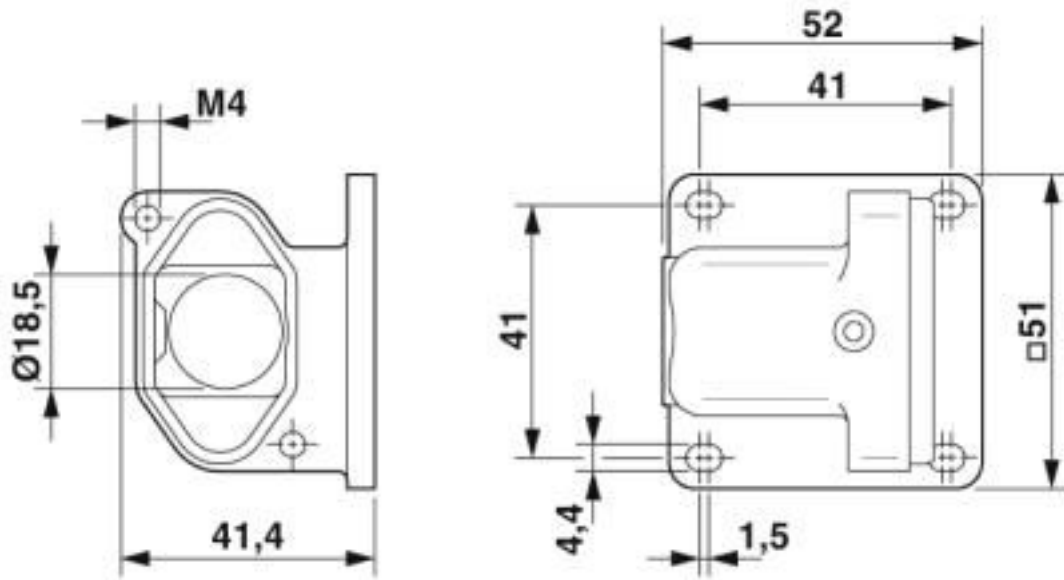
No. of cable outlets	1
Cable outlet	lateral
Screw connection	none
Type of the screw connection	1x M20
Protective cover	no
Material	Zinc die-cast
Housing material	Zinc die-cast
Housing surface material	Powder-coated, black
Assembly instructions	M4 locking screw, slotted hexagon head screw (wrench size 7), tightening torque: 1 Nm. The seal of the pin contact insert should be removed. Max. thread length of the screw connection: 6 mm
Connection	Mount contact insert with sealing screw in the housing

Environmental Product Compliance

China RoHS	Environmentally friendly use period: unlimited = EFUP-e
	No hazardous substances above threshold values

Drawings

Dimensional drawing



Dimensional drawing

Classifications

eCI@ss

eCI@ss 10.0.1	27440202
---------------	----------

Housing - HC-HPR-D07-SHFH-1SSM20-EMR-BK - 1424641

Classifications

eCl@ss

eCl@ss 5.1	27261200
eCl@ss 6.0	27261200
eCl@ss 7.0	27440202
eCl@ss 8.0	27440202
eCl@ss 9.0	27440202

ETIM

ETIM 5.0	EC000437
ETIM 6.0	EC000437
ETIM 7.0	EC000437

Approvals

Approvals

Approvals

EAC

Ex Approvals

Approval details

EAC		EAC-Zulassung
-----	--	---------------

Accessories

Accessories

Full screw connection

Cable gland - G-INS-M20-S68N-NNES-S - 1411163



Cable gland, cable gland material: Nickel-plated brass, external cable diameter 6 mm ... 12 mm, shielding: no, connecting thread: M20 x 1.5, color: silver, with O-ring

Housing with screw locking

Housing - HC-HPR-D07-SHFH-1SSM20-EMR-BK - 1424641

Accessories

Protective covers - HC-HPR-D07-BCSWH-EM-BK - 1424636



Protective cover D7, with screw locking, material: Zinc die-cast, protective cover material: Zinc, height: 28.5 mm, cable gland: none, Railway applications, for increased environmental and EMC requirements, Series HPR

Phoenix Contact 2020 © - all rights reserved
<http://www.phoenixcontact.com>

PHOENIX CONTACT GmbH & Co. KG
Flachsmarktstr. 8
32825 Blomberg
Germany
Tel. +49 5235 300
Fax +49 5235 3 41200
<http://www.phoenixcontact.com>

Mouser Electronics

Authorized Distributor

Click to View Pricing, Inventory, Delivery & Lifecycle Information:

[Phoenix Contact:](#)

[1424641](#)