


# Counter nut - A-INL-PG11-P-LG - 1424550

Please be informed that the data shown in this PDF Document is generated from our Online Catalog. Please find the complete data in the user's documentation. Our General Terms of Use for Downloads are valid (<http://phoenixcontact.com/download>)

Counter nut, material: PA 6 GF 30, connecting thread: Pg11, color: lightgrey RAL 7035



## Key Commercial Data

Packing unit	5 pc
GTIN	 4 0 5 5 6 2 6 3 7 4 5 4 3
GTIN	4055626374543

## Technical data

### Dimensions

Length	5 mm
Connecting thread diameter	18.6 mm
Wrench size, counter nut	24 mm
Hexagon angular dimension	26 mm

### Ambient conditions

Ambient temperature (operation)	-40 °C ... 100 °C
---------------------------------	-------------------

### General

Material	PA 6 GF 30
Flammability rating according to UL 94	V2
Thread type on connection side	Pg11
Color	lightgrey RAL 7035

### Standards and Regulations

Halogen-free	yes
Flammability rating according to UL 94	V2

### Environmental Product Compliance

China RoHS	Environmentally friendly use period: unlimited = EFUP-e
------------	---

# Counter nut - A-INL-PG11-P-LG - 1424550

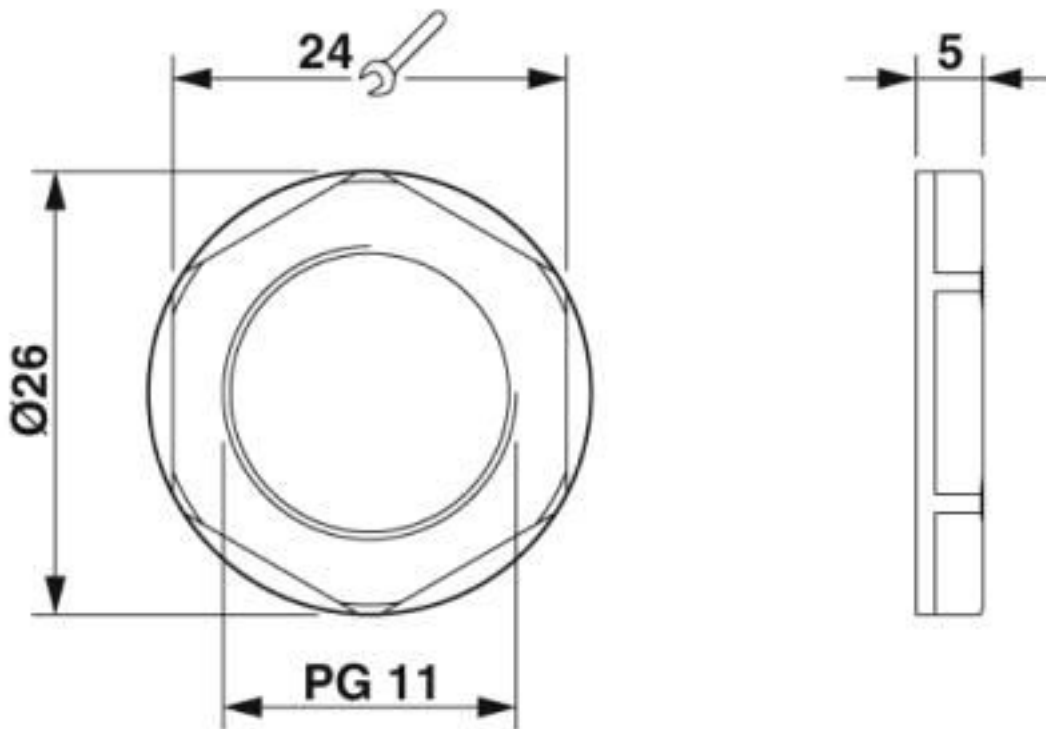
## Technical data

### Environmental Product Compliance

	No hazardous substances above threshold values
--	--

## Drawings

Dimensional drawing



## Classifications

### eCl@ss

eCl@ss 10.0.1	27144424
eCl@ss 5.1	27149109
eCl@ss 6.0	27149109
eCl@ss 7.0	27069219
eCl@ss 8.0	27069219
eCl@ss 9.0	27144424

### ETIM

ETIM 5.0	EC000129
ETIM 6.0	EC000940
ETIM 7.0	EC000940

Phoenix Contact 2020 © - all rights reserved  
<http://www.phoenixcontact.com>

PHOENIX CONTACT GmbH & Co. KG  
Flachsmarktstr. 8  
32825 Blomberg  
Germany  
Tel. +49 5235 300  
Fax +49 5235 3 41200  
<http://www.phoenixcontact.com>

# Mouser Electronics

Authorized Distributor

Click to View Pricing, Inventory, Delivery & Lifecycle Information:

[Phoenix Contact:](#)

[1424550](#)