

## Cable gland - G-INS-PG21-M68N-PNES-LG - 1424490

Please be informed that the data shown in this PDF Document is generated from our Online Catalog. Please find the complete data in the user's documentation. Our General Terms of Use for Downloads are valid (<http://phoenixcontact.com/download>)




Cable gland, cable gland material: PA, external cable diameter 13 mm ... 18 mm, shielding: no, connecting thread: Pg21, color: lightgrey RAL 7035

### Your advantages

- ✔ Plastic material conforms to UL 746C f1

### Key Commercial Data

Packing unit	5 pc
Minimum order quantity	5 pc
GTIN	 4 055626 373201
GTIN	4055626373201

### Technical data

#### Dimensions

Length	49 mm
Wrench size, union nut	33 mm
Wrench size, support	33 mm
Hexagon angular dimension	37.8 mm
Length of the connecting thread	11 mm
Feed-through hole diameter	28.4 mm ... 28.6 mm
External cable diameter	13 mm ... 18 mm
	13 mm ... 18 mm (for UL 514 B)

#### Ambient conditions

Degree of protection (IP)	IP68 (5 bar / 0.5 h)
Ambient temperature (operation)	-40 °C ... 100 °C (static)

#### General

No. of conductors	1
-------------------	---

## Cable gland - G-INS-PG21-M68N-PNES-LG - 1424490

### Technical data

#### General

Cable gland material	PA
Cable seal material	CR
Flammability rating according to UL 94	V2
	V2 (Housing)
Shielded	no
Thread type on connection side	Pg21
Torque	9 Nm ± ()
Color	lightgrey RAL 7035
Assembly instructions	1) Mount screw connection support in the housing using the correct torque 2) Insert cable 3) Tighten union nut using the correct torque
Manufacturer	BIMED
Manufacturer Designation	BS-16

#### Standards and Regulations

Flammability rating according to UL 94	V2
--	----

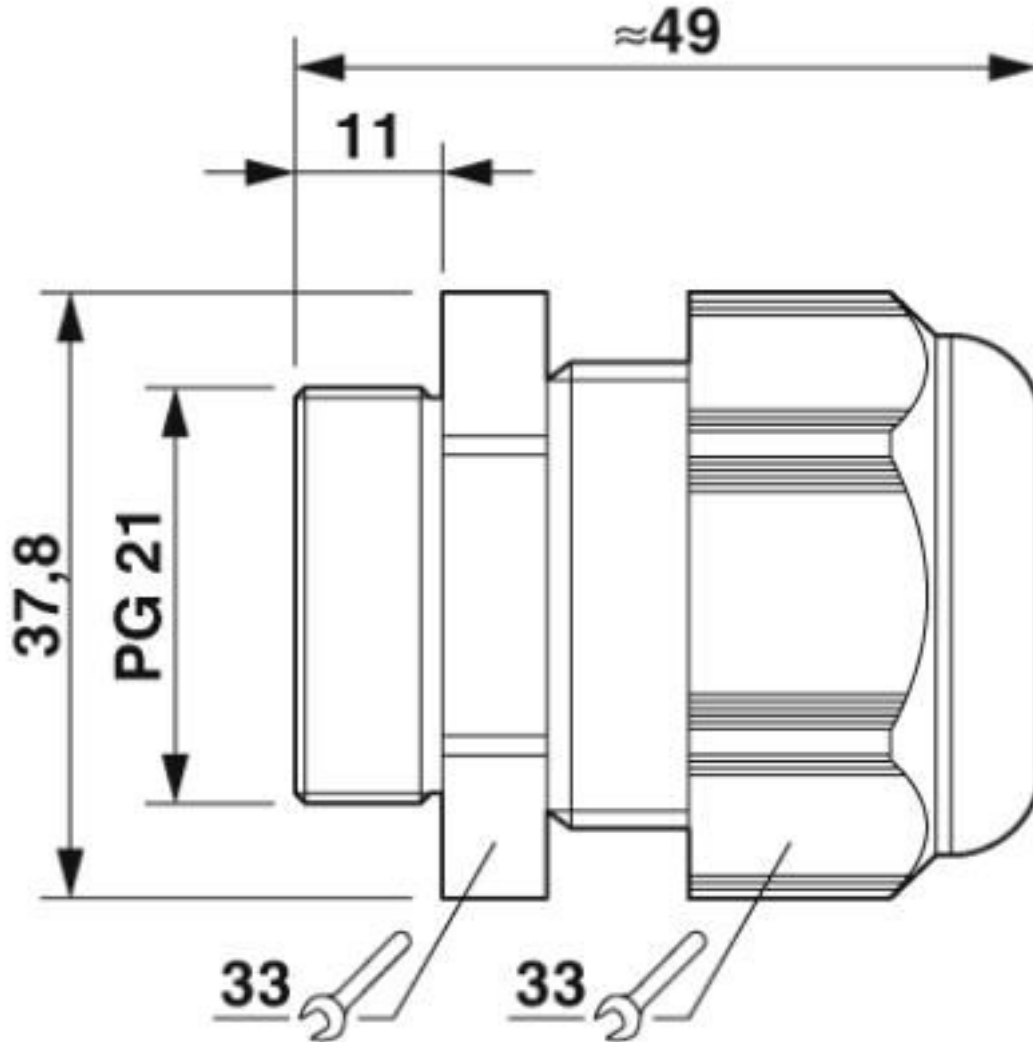
#### Environmental Product Compliance

China RoHS	Environmentally friendly use period: unlimited = EFUP-e
	No hazardous substances above threshold values

### Drawings

# Cable gland - G-INS-PG21-M68N-PNES-LG - 1424490

Dimensional drawing



Dimensional drawing

## Classifications

eCl@ss

eCl@ss 10.0.1	27144432
eCl@ss 4.0	27141200
eCl@ss 4.1	27141200
eCl@ss 5.0	27149100
eCl@ss 5.1	27149109
eCl@ss 6.0	27149100
eCl@ss 7.0	27149109
eCl@ss 8.0	27149109

# Cable gland - G-INS-PG21-M68N-PNES-LG - 1424490

## Classifications

eCl@ss

eCl@ss 9.0	27144432
------------	----------

ETIM

ETIM 5.0	EC000441
ETIM 6.0	EC000441
ETIM 7.0	EC000441

## Approvals

Approvals

Approvals

CSA / UL Listed / cUL Listed / cULus Listed

Ex Approvals

### Approval details

CSA		<a href="http://www.csagroup.org/services-industries/product-listing/">http://www.csagroup.org/services-industries/product-listing/</a>	115116
-----	--	---	--------

UL Listed		<a href="http://database.ul.com/cgi-bin/XYV/template/LISEXT/1FRAME/index.htm">http://database.ul.com/cgi-bin/XYV/template/LISEXT/1FRAME/index.htm</a>	E199260
-----------	--	---	---------

cUL Listed		<a href="http://database.ul.com/cgi-bin/XYV/template/LISEXT/1FRAME/index.htm">http://database.ul.com/cgi-bin/XYV/template/LISEXT/1FRAME/index.htm</a>	E199260
------------	--	---	---------

cULus Listed			
--------------	--	--	--

## Accessories

Accessories

Flat nut

## Cable gland - G-INS-PG21-M68N-PNES-LG - 1424490

### Accessories

Counter nut - A-INL-PG21-P-GY - 1411226



Counter nut, material: PA, for threads Pg21, color: silver-gray RAL 7001

---

### Sealing plugs

Closing cap - SEALING PLUG 17X17 RD - 1421861



Closing cap, material: PA, color: red

---

Phoenix Contact 2020 © - all rights reserved  
<http://www.phoenixcontact.com>

PHOENIX CONTACT GmbH & Co. KG  
Flachsmarktstr. 8  
32825 Blomberg  
Germany  
Tel. +49 5235 300  
Fax +49 5235 3 41200  
<http://www.phoenixcontact.com>

# Mouser Electronics

Authorized Distributor

Click to View Pricing, Inventory, Delivery & Lifecycle Information:

[Phoenix Contact:](#)

[1424490](#)