

Network cable - NBC-R4AC/65,0-93E/R4AC - 1422654


Please be informed that the data shown in this PDF Document is generated from our Online Catalog. Please find the complete data in the user's documentation. Our General Terms of Use for Downloads are valid (<http://phoenixcontact.com/download>)



Network cable, degree of protection: IP20, cable length: 65 m, number of positions: 4, 100 Mbps, CAT5, cable outlet: straight



Key Commercial Data

| | |
|--------------|---|
| Packing unit | 1 pc |
| GTIN |  4 055626 311128 |
| GTIN | 4055626311128 |

Technical data

Dimensions

| | |
|-----------------|---------|
| Length of cable | 65.00 m |
|-----------------|---------|

Ambient conditions

| | |
|---------------------------------|-----------------------------------|
| Ambient temperature (operation) | -20 °C ... 70 °C (RJ45 connector) |
|---------------------------------|-----------------------------------|

General data

| | |
|---|----------------|
| Rated current at 40°C | 1 A |
| Rated voltage | 48 V |
| Number of positions | 4 |
| Alternative short product description | Ethernet cable |
| Rated voltage (III/3) | 72 V (DC) |
| Degree of protection | IP20 |
| Number of slots | 1 |
| Transmission characteristics (category) | CAT5 |

Characteristics head 1

| | |
|----------------------|-------------------------|
| Color | gray |
| Material (component) | CuSn (Contact) |
| | Ni/Au (Contact surface) |

Network cable - NBC-R4AC/65,0-93E/R4AC - 1422654

Technical data

Characteristics head 1

| | |
|-----------------------------|-----------------------|
| | PC (Contact carriers) |
| | PA (Housing) |
| Insertion/withdrawal cycles | ≥ 750 |
| Shielded | yes |
| Outer sheath, material | PUR |
| External sheath, color | water blue RAL 5021 |
| Type type, plug side | Plug straight |
| Type type, socket side | Plug, straight |

Characteristics head 2

| | |
|-----------------------------|-------------------------|
| Color | gray |
| Material (component) | CuSn (Contact) |
| | Ni/Au (Contact surface) |
| | PC (Contact carriers) |
| | PA (Housing) |
| Insertion/withdrawal cycles | ≥ 750 |

Standards and Regulations

| | |
|--|----|
| Flammability rating according to UL 94 | V2 |
|--|----|

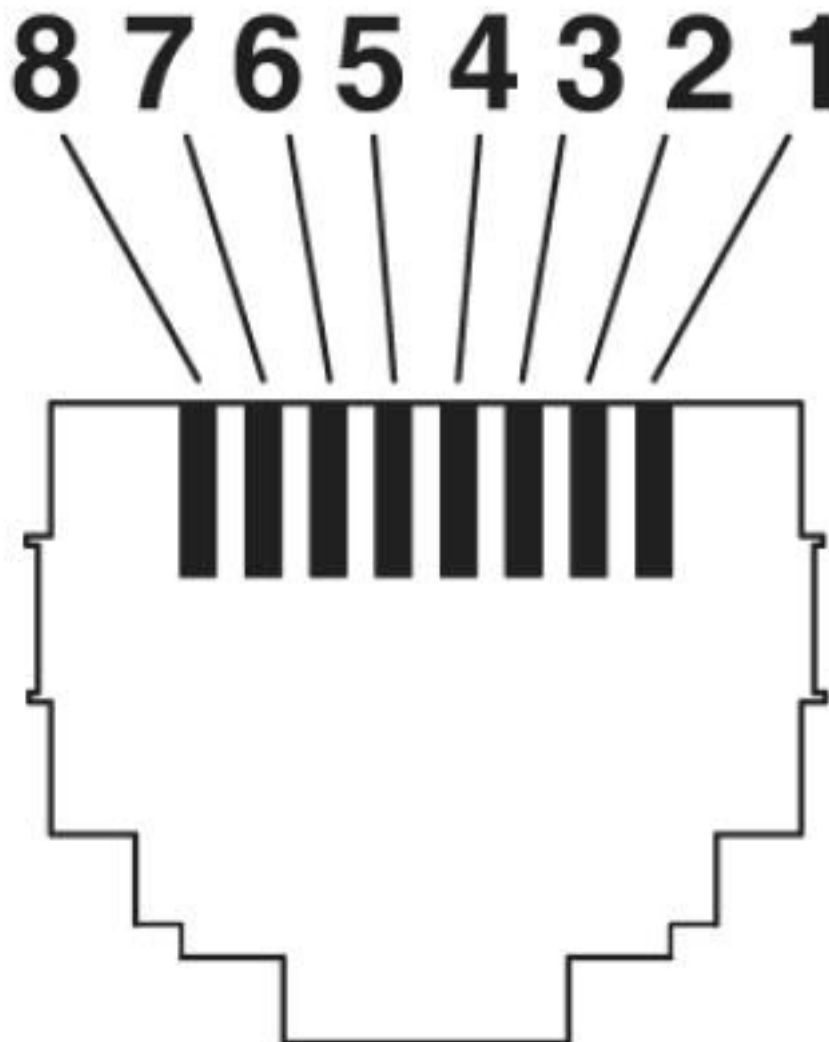
Environmental Product Compliance

| | |
|------------|---|
| China RoHS | Environmentally friendly use period: unlimited = EFUP-e |
| | No hazardous substances above threshold values |

Drawings

Network cable - NBC-R4AC/65,0-93E/R4AC - 1422654

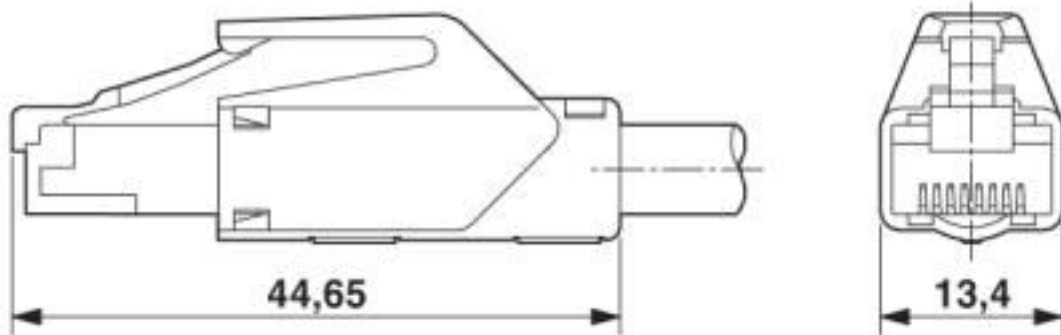
Schematic diagram



Connector pin assignment plug RJ45

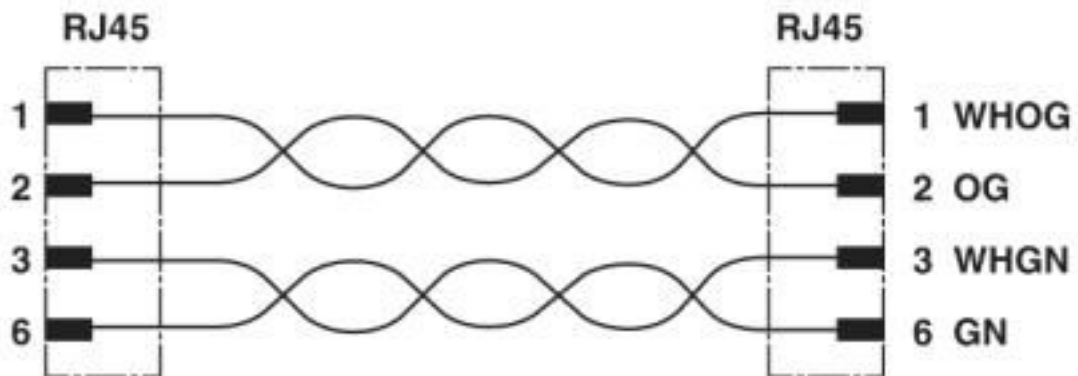
Network cable - NBC-R4AC/65,0-93E/R4AC - 1422654

Dimensional drawing



RJ45 connector, IP20

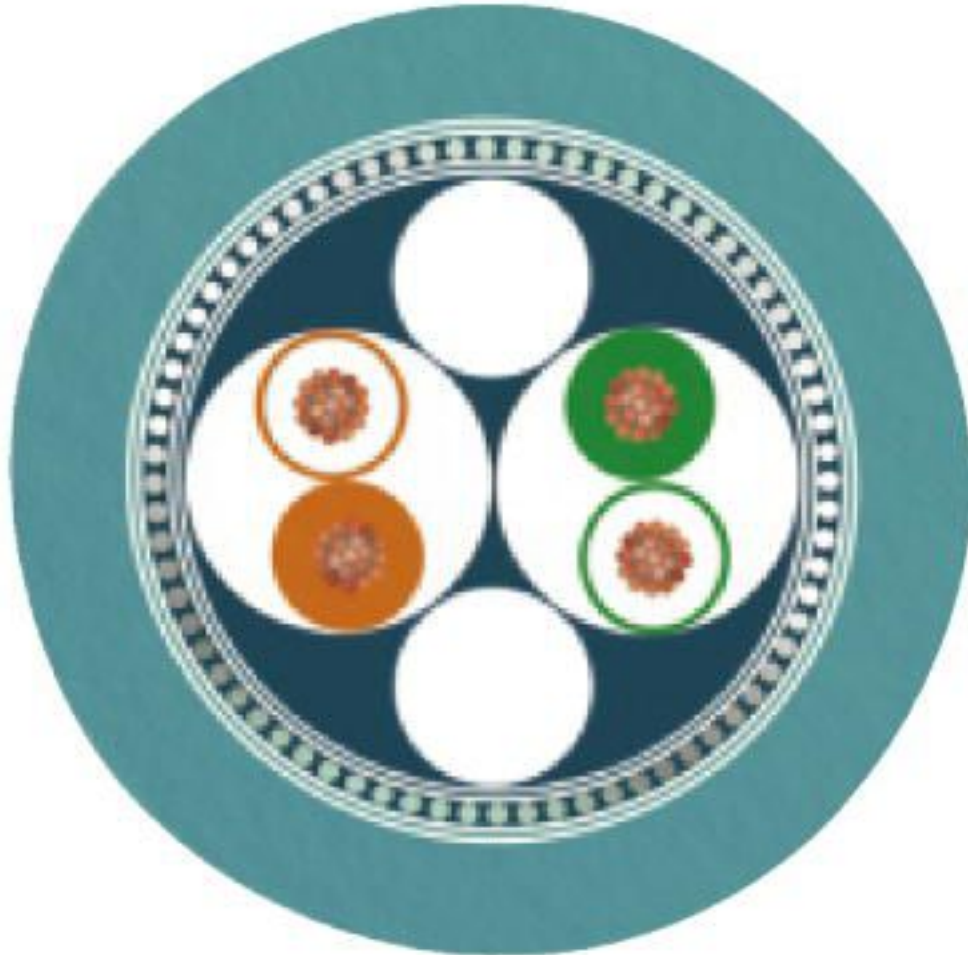
Circuit diagram



Contact assignment of RJ45 plugs

Network cable - NBC-R4AC/65,0-93E/R4AC - 1422654

Cable cross section



Ethernet flexible CAT5, 2-pair [93E]

Classifications

eCl@ss

| | |
|---------------|----------|
| eCl@ss 10.0.1 | 27061801 |
| eCl@ss 4.0 | 24010400 |
| eCl@ss 4.1 | 24010400 |
| eCl@ss 5.0 | 19030300 |
| eCl@ss 5.1 | 19030300 |
| eCl@ss 6.0 | 27061800 |
| eCl@ss 7.0 | 27061801 |
| eCl@ss 8.0 | 27061801 |
| eCl@ss 9.0 | 27061801 |

Network cable - NBC-R4AC/65,0-93E/R4AC - 1422654

Classifications

ETIM

| | |
|----------|----------|
| ETIM 5.0 | EC000830 |
| ETIM 6.0 | EC000830 |
| ETIM 7.0 | EC003249 |

UNSPSC

| | |
|-------------|----------|
| UNSPSC 13.2 | 26121604 |
| UNSPSC 18.0 | 26121604 |
| UNSPSC 19.0 | 26121604 |
| UNSPSC 20.0 | 26121604 |
| UNSPSC 21.0 | 26121604 |

Phoenix Contact 2020 © - all rights reserved
<http://www.phoenixcontact.com>

PHOENIX CONTACT GmbH & Co. KG
Flachsmarktstr. 8
32825 Blomberg
Germany
Tel. +49 5235 300
Fax +49 5235 3 41200
<http://www.phoenixcontact.com>

Mouser Electronics

Authorized Distributor

Click to View Pricing, Inventory, Delivery & Lifecycle Information:

[Phoenix Contact:](#)

[1422654](#)