

Docking frames - HC-B 06-ANDOCK-MOD-A - 1422075

Please be informed that the data shown in this PDF Document is generated from our Online Catalog. Please find the complete data in the user's documentation. Our General Terms of Use for Downloads are valid (<http://phoenixcontact.com/download>)



Docking frame for two module slots, fixed assembly, plastic without PE, rack compensation of ±2.0 mm in the x/y-axis, for M4 cylinder head screws

Product Description

Docking frame, permanently fitted, made from plastic without PE. Slide-in offset x/y axis ±2.0 mm.



Key Commercial Data

Packing unit	2 pc
Minimum order quantity	2 pc
GTIN	
GTIN	4055626290072

Technical data

Ambient conditions

Ambient temperature (operation)	-40 °C ... 125 °C
---------------------------------	-------------------

General

Size	B6
Material	PC
Flammability rating according to UL 94	V0
Assembly instructions	Due to the plastic frame without PE, a metal attachment panel must be grounded separately.

Standards and Regulations

Flammability rating according to UL 94	V0
--	----

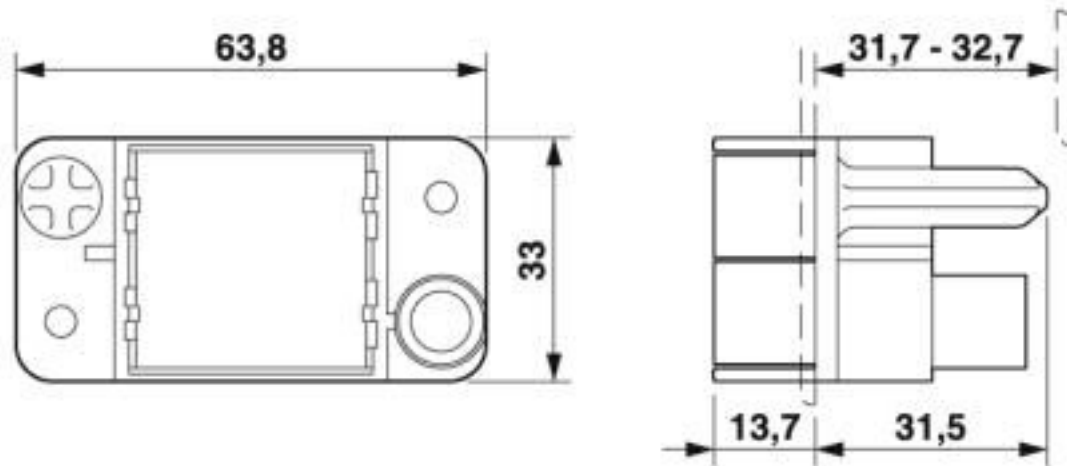
Environmental Product Compliance

China RoHS	Environmentally friendly use period: unlimited = EFUP-e
	No hazardous substances above threshold values

Docking frames - HC-B 06-ANDOCK-MOD-A - 1422075

Drawings

Dimensional drawing



Dimensional drawing

Classifications

eCl@ss

eCl@ss 5.1	27143424
eCl@ss 6.0	27261200
eCl@ss 7.0	27440210
eCl@ss 8.0	27440210
eCl@ss 9.0	27440206

ETIM

ETIM 5.0	EC002310
ETIM 6.0	EC002310

Accessories

Accessories

Mounting material

Washer - HC-MOD-ANDOCK-USCH - 1587496



Special washer for floating mounting of docking frame

Phoenix Contact 2020 © - all rights reserved
<http://www.phoenixcontact.com>

PHOENIX CONTACT GmbH & Co. KG
Flachsmarktstr. 8
32825 Blomberg
Germany
Tel. +49 5235 300
Fax +49 5235 3 41200
<http://www.phoenixcontact.com>

Mouser Electronics

Authorized Distributor

Click to View Pricing, Inventory, Delivery & Lifecycle Information:

[Phoenix Contact:](#)

[1422075](#)