

Patch cable - NBC-R4AC/2,0-93M/R4AC - 1420374

Please be informed that the data shown in this PDF Document is generated from our Online Catalog. Please find the complete data in the user's documentation. Our General Terms of Use for Downloads are valid (<http://phoenixcontact.com/download>)




Patch cable, degree of protection: IP20, cable length: 2 m, number of positions: 4, 100 Mbps, CAT5, material: PA 6.6

PROFINET patch cable



Key Commercial Data

Packing unit	1 pc
GTIN	 4 055626 206448
GTIN	4055626206448

Technical data

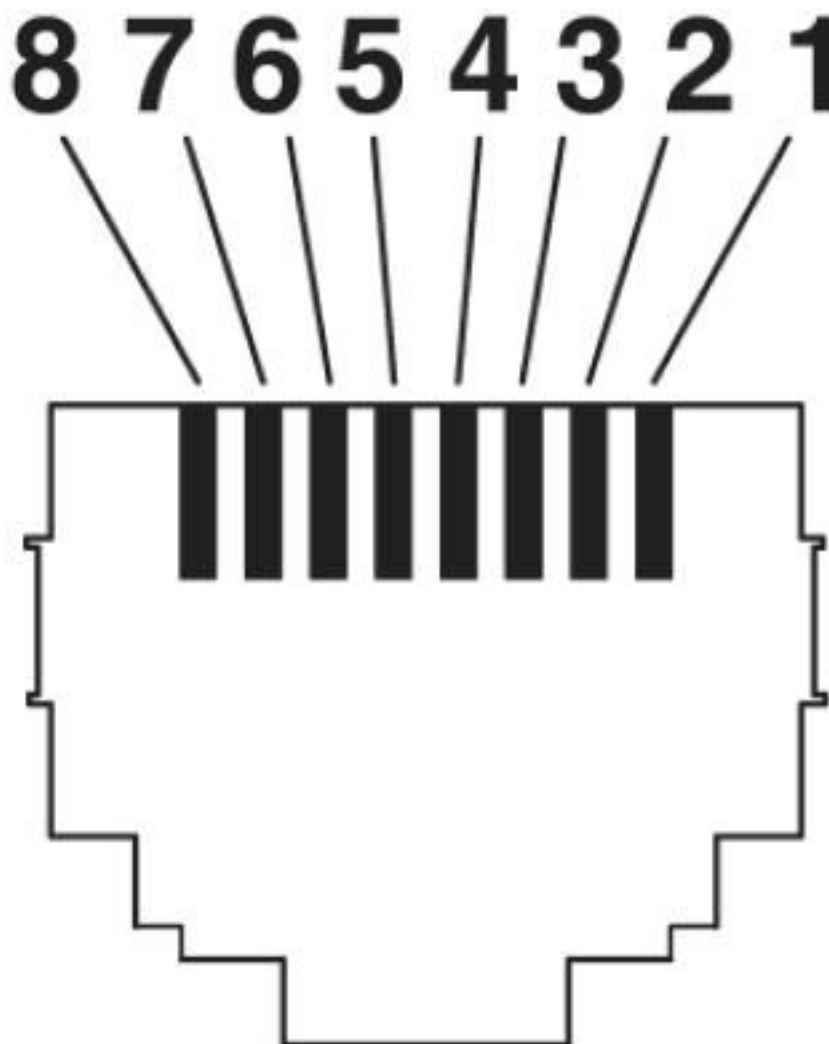
Environmental Product Compliance

China RoHS	Environmentally friendly use period: unlimited = EFUP-e
	No hazardous substances above threshold values

Drawings

Patch cable - NBC-R4AC/2,0-93M/R4AC - 1420374

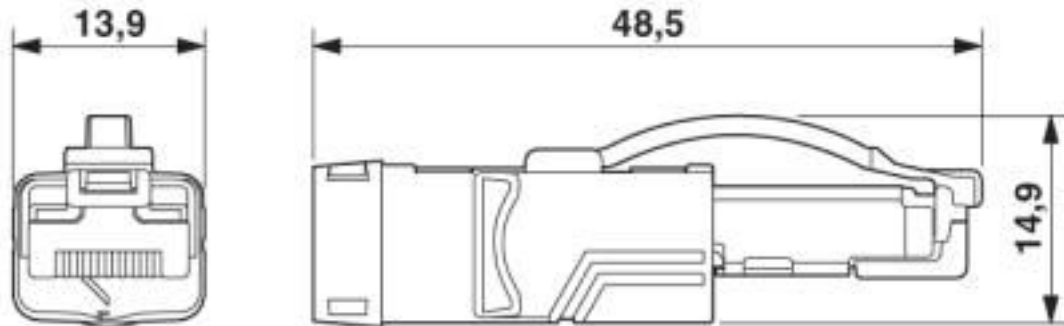
Schematic diagram



Connector pin assignment plug RJ45

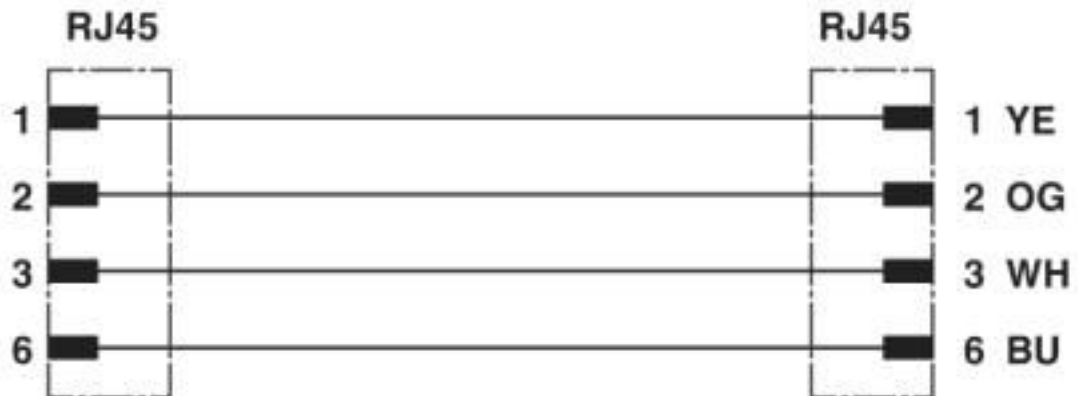
Patch cable - NBC-R4AC/2,0-93M/R4AC - 1420374

Dimensional drawing



RJ45 connector, IP20

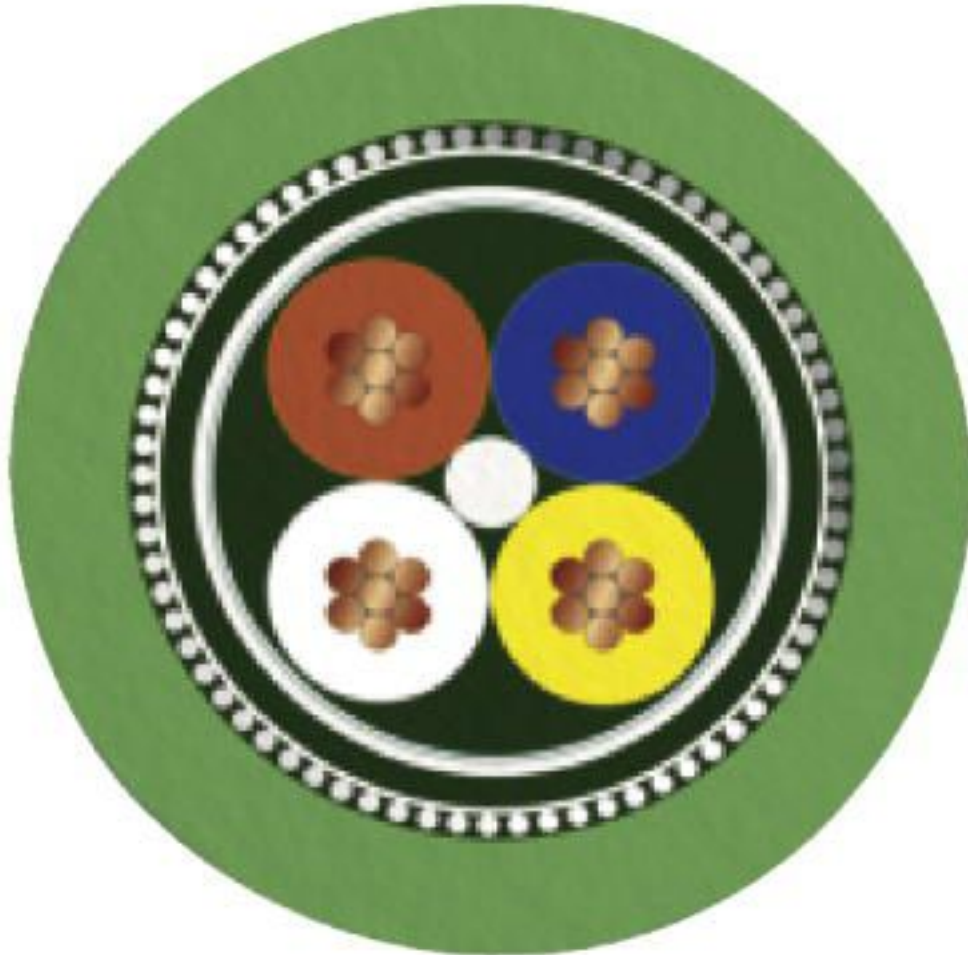
Circuit diagram



Contact assignment of RJ45 plugs

Patch cable - NBC-R4AC/2,0-93M/R4AC - 1420374

Cable cross section



PROFINET stranded CAT5 [93M]

Classifications

eCl@ss

eCl@ss 10.0.1	27060308
eCl@ss 7.0	27060308
eCl@ss 8.0	27060308
eCl@ss 9.0	27060308

ETIM

ETIM 5.0	EC002599
ETIM 6.0	EC001262
ETIM 7.0	EC001262

Patch cable - NBC-R4AC/2,0-93M/R4AC - 1420374

Classifications

UNSPSC

UNSPSC 13.2	26121604
UNSPSC 18.0	26121604
UNSPSC 19.0	26121604
UNSPSC 20.0	26121604
UNSPSC 21.0	26121604

Phoenix Contact 2020 © - all rights reserved
<http://www.phoenixcontact.com>

PHOENIX CONTACT GmbH & Co. KG
Flachsmarktstr. 8
32825 Blomberg
Germany
Tel. +49 5235 300
Fax +49 5235 3 41200
<http://www.phoenixcontact.com>

Mouser Electronics

Authorized Distributor

Click to View Pricing, Inventory, Delivery & Lifecycle Information:

[Phoenix Contact:](#)

[1420374](#)