

# Bend protection sleeve - CUC-DST-ABK-CP9,7 - 1419793


Please be informed that the data shown in this PDF Document is generated from our Online Catalog. Please find the complete data in the user's documentation. Our General Terms of Use for Downloads are valid (<http://phoenixcontact.com/download>)



Bend protection sleeve, degree of protection: IP20, color: black



## Key Commercial Data

Packing unit	10 pc
GTIN	 4 0 5 5 6 2 6 1 8 8 2 2 5
GTIN	4055626188225

## Technical data

### Mechanical characteristics

Minimum external conductor diameter	7.7 mm
Maximum external conductor diameter	9.7 mm
Weight	1.59 g

### Ambient conditions

Ambient temperature (operation)	-35 °C ... 100 °C
---------------------------------	-------------------

### Material data

Width	14.9 mm
Height	12.4 mm
Length	28 mm
Depth	17.2 mm

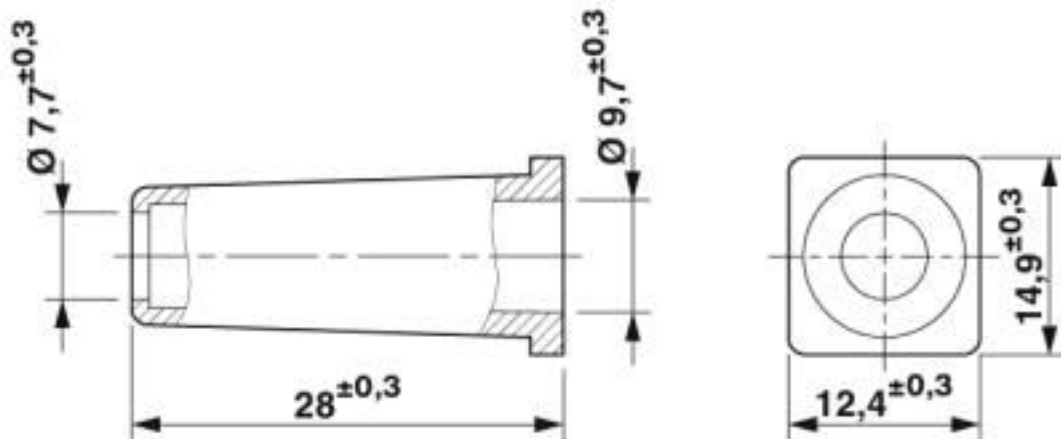
### Environmental Product Compliance

China RoHS	Environmentally friendly use period: unlimited = EFUP-e
	No hazardous substances above threshold values

## Drawings

## Bend protection sleeve - CUC-DST-ABK-CP9,7 - 1419793

Dimensional drawing



Bend protection sleeve

### Classifications

eCl@ss

eCl@ss 10.0.1	27440302
eCl@ss 4.0	27260700
eCl@ss 4.1	27260700
eCl@ss 5.0	27260700
eCl@ss 5.1	27261200
eCl@ss 6.0	27261200
eCl@ss 7.0	27440302
eCl@ss 8.0	27440302
eCl@ss 9.0	27440302

ETIM

ETIM 2.0	EC000437
ETIM 3.0	EC000437
ETIM 4.0	EC000437
ETIM 5.0	EC001132
ETIM 6.0	EC001132
ETIM 7.0	EC001132

UNSPSC

UNSPSC 6.01	31261501
UNSPSC 7.0901	31261501
UNSPSC 11	31261501
UNSPSC 12.01	31261501
UNSPSC 13.2	39121522
UNSPSC 18.0	39121522

## Bend protection sleeve - CUC-DST-ABK-CP9,7 - 1419793

### Classifications

#### UNSPSC

UNSPSC 19.0	39121522
UNSPSC 20.0	39121522
UNSPSC 21.0	39121522

### Approvals

#### Approvals

---

#### Approvals

EAC

---

#### Ex Approvals

---

### Approval details

EAC		B.01742
-----	---	---------

---

Phoenix Contact 2020 © - all rights reserved  
<http://www.phoenixcontact.com>

PHOENIX CONTACT GmbH & Co. KG  
Flachsmarktstr. 8  
32825 Blomberg  
Germany  
Tel. +49 5235 300  
Fax +49 5235 3 41200  
<http://www.phoenixcontact.com>

# Mouser Electronics

Authorized Distributor

Click to View Pricing, Inventory, Delivery & Lifecycle Information:

[Phoenix Contact:](#)

[1419793](#)