

## D-SUB sleeve housings - CUC-DST-GZNI-S/DSSC25 - 1419727

Please be informed that the data shown in this PDF Document is generated from our Online Catalog. Please find the complete data in the user's documentation. Our General Terms of Use for Downloads are valid (<http://phoenixcontact.com/download>)




D-SUB sleeve housings, degree of protection: IP20, material: Zinc die-cast, cable outlet: straight, size of housing: 3, color: Bare metallic

### Your advantages

- ✓ Easy to mount thanks to pre-assembled locking screws
- ✓ Antimagnetic metal sleeve housing
- ✓ Well-suited for harsh industrial conditions thanks to its metal design
- ✓ Particularly suitable for D-SUB connectors with special contacts thanks to large interior

### Key Commercial Data

Packing unit	1 pc
GTIN	 4 055626 188058
GTIN	4055626188058

### Technical data

#### Mechanical characteristics

Minimum external conductor diameter	3 mm
Maximum external conductor diameter	8.5 mm
Cable outlet	straight
No. of cable outlets	1
Weight	72.45 g
Flammability rating according to UL 94	V0

#### Ambient conditions

Ambient temperature (operation)	-35 °C ... 100 °C
---------------------------------	-------------------

#### Material data

Housing material	Zinc die-cast
Housing surface material	Nickel-plated

## D-SUB sleeve housings - CUC-DST-GZNI-S/DSSC25 - 1419727

### Technical data

#### Material data

Width	30.8 mm
Height	12.5 mm
Depth	17.2 mm
Mounting type	Screw locking

#### Standards and Regulations

Flammability rating according to UL 94	V0
--	----

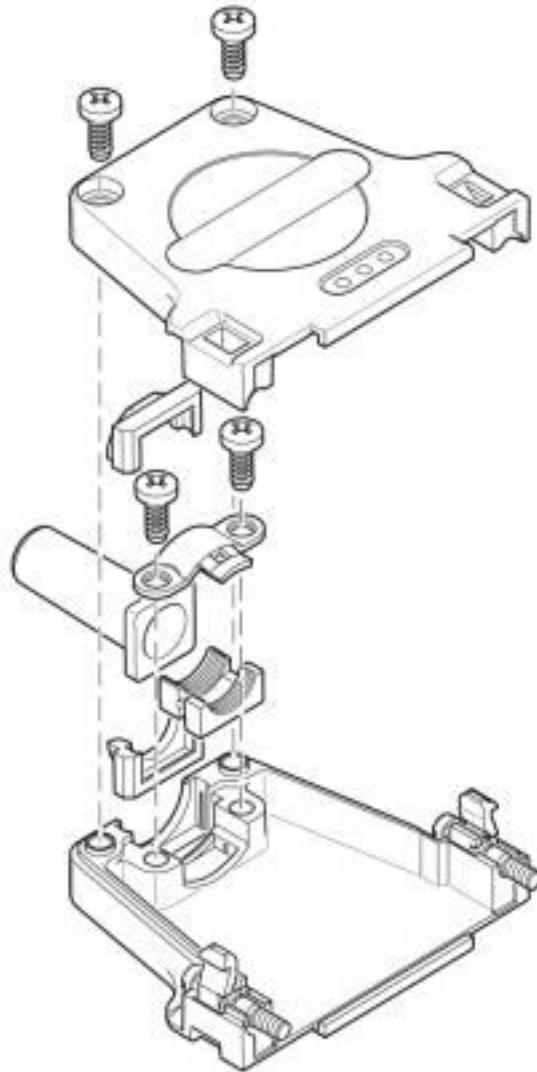
#### Environmental Product Compliance

REACH SVHC	Lead 7439-92-1
China RoHS	Environmentally friendly use period: unlimited = EFUP-e
	No hazardous substances above threshold values

### Drawings

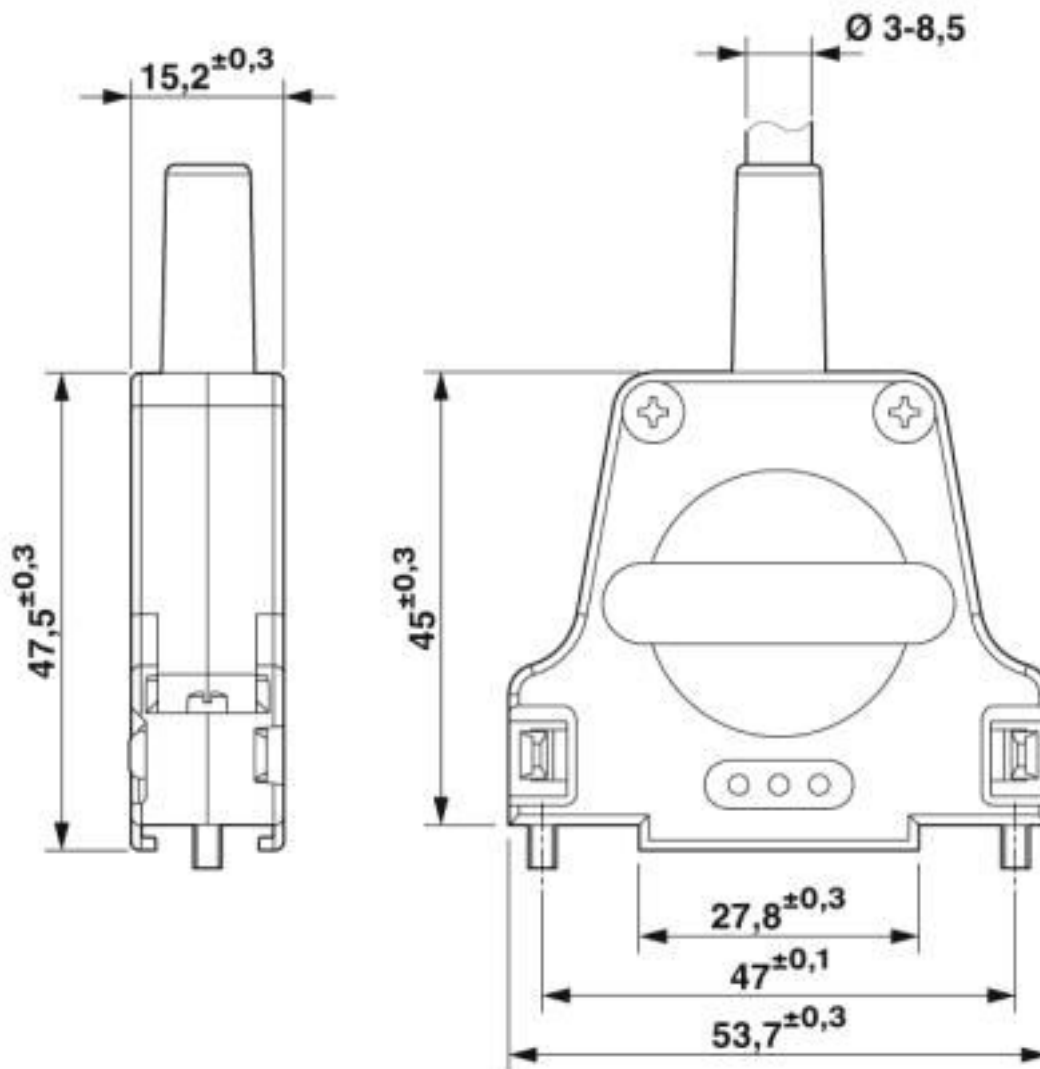
## D-SUB sleeve housings - CUC-DST-GZNI-S/DSSC25 - 1419727

Schematic diagram



# D-SUB sleeve housings - CUC-DST-GZNI-S/DSSC25 - 1419727

Dimensional drawing



D-SUB sleeve housings

## Classifications

eCl@ss

eCl@ss 10.0.1	27440302
eCl@ss 4.0	27260700
eCl@ss 4.1	27260700
eCl@ss 5.0	27260700
eCl@ss 5.1	27261200
eCl@ss 6.0	27261200
eCl@ss 7.0	27440302
eCl@ss 8.0	27440302

# D-SUB sleeve housings - CUC-DST-GZNI-S/DSSC25 - 1419727

## Classifications

eCl@ss

eCl@ss 9.0	27440302
------------	----------

## ETIM

ETIM 2.0	EC000437
ETIM 3.0	EC000437
ETIM 4.0	EC000437
ETIM 5.0	EC001132
ETIM 6.0	EC001132
ETIM 7.0	EC001132

## UNSPSC

UNSPSC 6.01	31261501
UNSPSC 7.0901	31261501
UNSPSC 11	31261501
UNSPSC 12.01	31261501
UNSPSC 13.2	39121522
UNSPSC 18.0	39121522
UNSPSC 19.0	39121522
UNSPSC 20.0	39121522
UNSPSC 21.0	39121522

## Approvals

Approvals

---

Approvals

EAC

---

Ex Approvals

---

## Approval details

EAC		B.01742
-----	--	---------

## Accessories

Accessories

Female insert

## D-SUB sleeve housings - CUC-DST-GZNI-S/DSSC25 - 1419727

### Accessories

#### Contact insert - VS-25-BU-DSUB-EG - 1689909

D-SUB contact insert, shell size 3, with 25 signal contacts, type of contact socket, with solder cup, straight, fixing with a 3 mm hole, for panel mounting frame and sleeve housing VS-25-...



#### D-SUB contact insert - VS-25-BU-DSUB-HD-EG - 1655221

D-SUB contact insert, shell size 3, with 44 signal contacts, type of contact socket, with solder cup, straight, fixing with a 3 mm hole, for panel mounting frame and sleeve housing VS-25-...



#### D-SUB contact support - VS-25-BU-DSUB-CD-B - 1689967

D-SUB contact carrier, shell size 3, for 25 signal contacts, type of contact socket, for crimp contacts, straight, fixing with a 3 mm hole, for panel mounting frame and sleeve housing VS-25-...



#### D-SUB contact support - VS-25-BU-DSUB-HD-CD-B - 1655247

D-SUB contact carrier, shell size 3, for 44 signal contacts, type of contact socket, for crimp contacts, straight, fixing with a 3 mm hole, for panel mounting frame and sleeve housing VS-25-...



#### D-SUB contact support - VS-25-BU-DSUB-5P - 1689983

D-SUB contact carrier, shell size 3, accommodation for five combined contacts, type of contact socket, straight, fixing with a 3 mm hole, for panel mounting frame and sleeve housing VS-25-...

#### D-SUB combination contact insert - VS-25-BU-DSUB-3P-10S - 1690008

D-SUB contact insert, shell size 3, with ten signal contacts with solder cup, straight, accommodation for three combined contacts, type of contact socket, fixing with a 3 mm hole, for panel mounting frame and sleeve housing VS-25-...



## D-SUB sleeve housings - CUC-DST-GZNI-S/DSSC25 - 1419727

### Accessories

#### D-SUB combination contact insert - VS-25-BU-DSUB-4P-5S - 1655373

D-SUB contact insert, shell size 3, with five signal contacts, with solder cup, straight, accommodation for four combined contacts, type of contact socket, fixing with a 3 mm hole, for panel mounting frame and sleeve housing VS-25-...



---

#### Male insert

#### Contact insert - VS-25-ST-DSUB-EG - 1689899

D-SUB contact insert, shell size 3, with 25 signal contacts, type of contact pin, with solder cup, straight, fixing with a 3 mm hole, for panel mounting frame and sleeve housing VS-25-...



---

#### D-SUB contact insert - VS-25-ST-DSUB-HD-EG - 1655234

D-SUB contact insert, shell size 3, with 44 signal contacts, type of contact pin, with solder cup, straight, fixing with a 3 mm hole, for panel mounting frame and sleeve housing VS-25-...



---

#### D-SUB contact support - VS-25-ST-DSUB-CD-B - 1689954

D-SUB contact carrier, shell size 3, for 25 signal contacts, type of contact pin, for crimp contacts, straight, fixing with a 3 mm hole, for panel mounting frame and sleeve housing VS-25-...



---

#### D-SUB contact support - VS-25-ST-DSUB-HD-CD-B - 1655250

D-SUB contact carrier, shell size 3, for 44 signal contacts, type of contact pin, for crimp contacts, straight, fixing with a 3 mm hole, for panel mounting frame and sleeve housing VS-25-...



## D-SUB sleeve housings - CUC-DST-GZNI-S/DSSC25 - 1419727

### Accessories

D-SUB contact support - VS-25-ST-DSUB-5P - 1689970

D-SUB contact carrier, shell size 3, accommodation for five combined contacts, type of contact pin, straight, fixing with a 3 mm hole, for panel mounting frame and sleeve housing VS-25-...



---

D-SUB combination contact insert - VS-25-ST-DSUB-3P-10S - 1689996

D-SUB contact insert, shell size 3, with ten signal contacts with solder cup, straight, accommodation for three combined contacts, type of contact pin, fixing with a 3 mm hole, for panel mounting frame and sleeve housing VS-25-...



---

D-SUB combination contact insert - VS-25-ST-DSUB-4P-5S - 1655386

D-SUB contact insert, shell size 3, with five signal contacts, with solder cup, straight, accommodation for four combined contacts, type of contact pin, fixing with a 3 mm hole, for panel mounting frame and sleeve housing VS-25-...



---

Phoenix Contact 2020 © - all rights reserved  
<http://www.phoenixcontact.com>

PHOENIX CONTACT GmbH & Co. KG  
Flachsmarktstr. 8  
32825 Blomberg  
Germany  
Tel. +49 5235 300  
Fax +49 5235 3 41200  
<http://www.phoenixcontact.com>



# Mouser Electronics

Authorized Distributor

Click to View Pricing, Inventory, Delivery & Lifecycle Information:

[Phoenix Contact:](#)

[1419727](#)