

Protective covers - HC-STA-D07-HCLWS-PL-BK - 1419275

Please be informed that the data shown in this PDF Document is generated from our Online Catalog. Please find the complete data in the user's documentation. Our General Terms of Use for Downloads are valid (<http://phoenixcontact.com/download>)




Protective cover D7, with single locking latch, material: PA, protective cover material: PA, height: 28 mm, seal: no, Standard, with lanyard, diameter of retaining cord eyelet: 25 mm, for pin inserts



COMPLIANT

Key Commercial Data

Packing unit	1 pc
GTIN	 4 055626 160269
GTIN	4055626160269

Technical data

Dimensions

Height	28 mm
Width	24.2 mm
Length	24.2 mm

Ambient conditions

Degree of protection (IP)	IP66
Ambient temperature (operation)	-20 °C ... 100 °C

General

Size	D7
Type	for sleeve housing without single locking latch
Housing type	Protective cover
Color	black
Locking type	with single locking latch
Material	PA
Housing material	PA
Material lock	PA
Material, protective cover	PA
Flammability rating according to UL 94	V0 (Polyamide housing)

Protective covers - HC-STA-D07-HCLWS-PL-BK - 1419275

Technical data

General

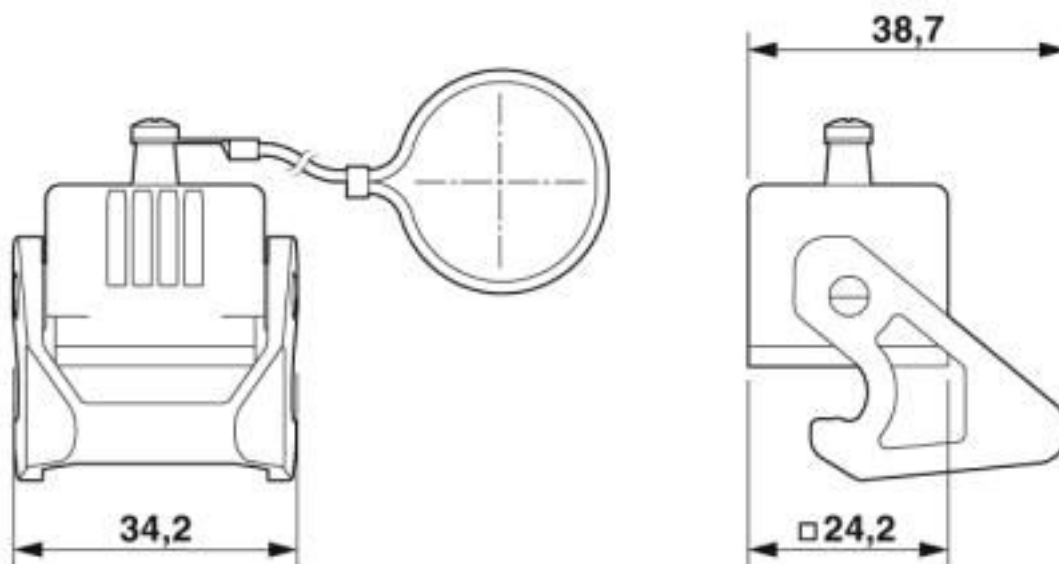
	V0 (Locking latch)
Connection	Plastic protective cover for short-term protection

Environmental Product Compliance

China RoHS	Environmentally Friendly Use Period = 50 years
	For details about hazardous substances go to tab "Downloads", Category "Manufacturer's declaration"

Drawings

Dimensional drawing



Dimensional drawing

Classifications

eCl@ss

eCl@ss 10.0.1	27440208
eCl@ss 5.1	27269200
eCl@ss 6.0	27261200
eCl@ss 7.0	27440208
eCl@ss 8.0	27440208
eCl@ss 9.0	27440208

ETIM

ETIM 5.0	EC002314
ETIM 6.0	EC002314
ETIM 7.0	EC002314

Protective covers - HC-STA-D07-HCLWS-PL-BK - 1419275

Classifications

UNSPSC

UNSPSC 13.2	31261501
UNSPSC 18.0	39121421
UNSPSC 19.0	39121421
UNSPSC 20.0	39121421
UNSPSC 21.0	39121421

Approvals

Approvals

Approvals

EAC / DNV GL

Ex Approvals

Approval details

EAC		RU C- DE.AI30.B.01102
-----	--	--------------------------

DNV GL		https://approvalfinder.dnvgl.com/	TAE000037S
--------	--	---	------------

Accessories

Accessories

Housing latches

Housing brackets - HC-D07-SL-PLBK - 1424440



Replacement latch for HC-D7 housing

Phoenix Contact 2020 © - all rights reserved
<http://www.phoenixcontact.com>

PHOENIX CONTACT GmbH & Co. KG
Flachmarktstr. 8
32825 Blomberg
Germany
Tel. +49 5235 300
Fax +49 5235 3 41200
<http://www.phoenixcontact.com>

Mouser Electronics

Authorized Distributor

Click to View Pricing, Inventory, Delivery & Lifecycle Information:

[Phoenix Contact:](#)

[1419275](#)